

## KILOVAC MAP200 Series Contactor with 1 Form A (SPST-NO) Contacts Rated up to 500 Amps, 12-900 Vdc

### Product Facts

- Designed to be the smallest, lightest weight, lowest cost sealed contactor in the industry with its current rating for military aerospace, ground vehicle and naval, high current applications
- Built-in coil economizer (models requiring external economizer also available)
- Optional auxiliary contact for easy monitoring of power contact position
- Hermetically sealed — intrinsically safe, operates in explosive/harsh environments with no oxidation or contamination of coil or contacts, including long periods of non-operation
- Versatile coil and power connections
- RoHS versions available



### Performance Data

**Contact Arrangement, Power Contacts** — 1 Form A (SPST-NO)

**Rated Operating Voltage** — 12 - 900 VDC

**Continuous (Carry) Current, Typical** — 500 A @ 85°C, 400 mcm conductors

*Consult Factory for required conductors for higher currents*

**Make/Break Current at Various Voltages** <sup>1</sup> — See graph next page

**Break Current at 320VDC** <sup>1</sup> — 2,000 A, 1 cycle

**Contact Resistance, Typ. (@200A)** — 0.2 mohms

**Load Life** — See graph next page

**Mechanical Life** — 1 million cycles

**Contact Arrangement, Auxiliary Contacts** — 1 Form A (SPST-NO)

**Aux. Contact Current, Max.** — 2A @ 30VDC / 3A @ 125VAC

**Aux. Contact Current, Min.** — 100mA @ 8V

**Aux. Contact Resistance, Max.** — 0.417 ohms @ 30VDC / .150 ohms @ 125VAC

**Dielectric Withstanding Voltage** — 2,200 Vrms @ sea level

**Insulation Resistance @ 500VDC** — 100 megohms <sup>2</sup>

**Shock, 11ms 1/2 Sine, Peak, Operating** — 20 G

**Vibration, Sine, 50-2000Hz., Peak** — 20 G

**Operating Temperature** — -55°C to +85°C

**Weight, Nominal** — .95 lb. (.43 kg)

#### Notes:

- <sup>1</sup> Main power contacts
- <sup>2</sup> 50 at end of life

Coil Operating Voltage (Valid Over Temperature Range)	
Voltage (Will Operate)	18-32VDC
Voltage (Max.)	32VDC
Pickup (Close) Voltage Max.	18VDC
Hold Voltage (Min.)	10VDC
Dropout (Open) Voltage (Min.)	2VDC
Inrush Current (Max.)	4.5A
Holding Current (Avg.)	0.5A
Inrush Time (Max.)	100ms

### Ordering Information

Typical Part Number ►

**MAP200 A R D E A**

**Series:** \_\_\_\_\_  
MAP200 = 500 Amp, 12-900VDC Contactor

**Contact Form:** \_\_\_\_\_  
A = Normally Open  
H = Normally Open with Aux. Contacts

**Coil Voltage:** \_\_\_\_\_  
R = 28 Vdc, Mechanical Economizer  
S = 28 Vdc, Electrical Cut-throat Economizer

**Coil Wire Length:** \_\_\_\_\_  
A = 15.3 in (390 mm)  
D = Coil connector on relay (requires option "E" or "X" in next step).

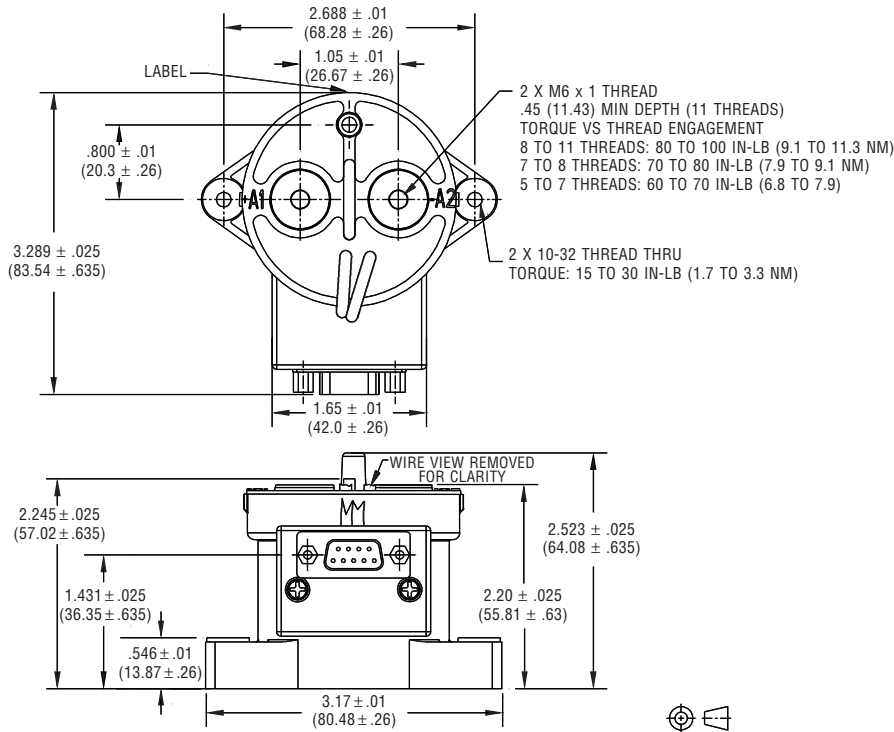
**Coil Terminal Connector:** \_\_\_\_\_  
N = No connector  
E = 9-pin subminiature "D" plug mounted on contactor housing  
X = Special configuration (consult factory)

**Mounting & Power Terminals:** \_\_\_\_\_  
A = Bottom Mount & Male M8 x 1.25 Thread Terminals  
B = Bottom Mount & Female 1/4-20 Thread Terminals  
D = Bottom Mount & Female M6 x 1 Thread Terminals

For factory-direct application assistance, dial 800-253-4560, ext. 2055, or 805-220-2055.

**KILOVAC MAP200 Series** (Continued)

**Outline Dimensions**



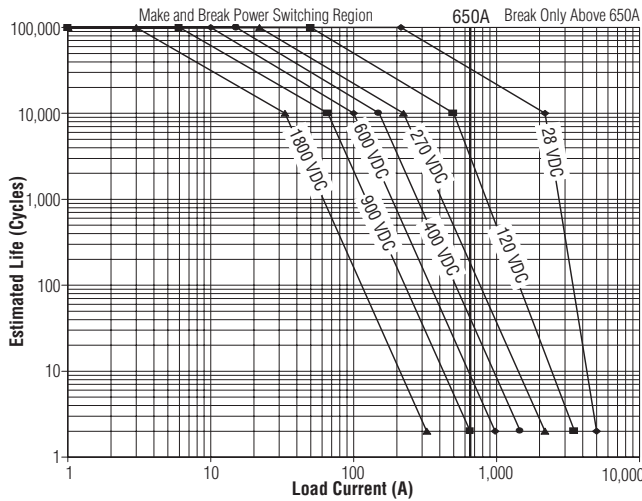
**MAP200HR D-Sub Pin Out**

- Coil+ = Pin 2
- Coil - = Pin 6
- Aux. COM = Pin 8
- Aux. NO = Pin 4

**MAP200AR**

- Coil+ = Pin 2
- Coil - = Pin 6

**Estimated Make & Break Power Switching Ratings**



- NOTES:**
- 1) For resistive loads with 300µH maximum inductance. Consult factory for inductive loads.
  - 2) Estimates based on extrapolated data. User is encouraged to confirm performance in application.
  - 3) End of life when dielectric strength between terminals falls below 50 megohms @ 500VDC.
  - 4) The maximum make current is 650A to avoid contact welding.

For factory-direct application assistance,  
dial 800-253-4560, ext. 2055, or  
805-220-2055.

## X-ON Electronics

Largest Supplier of Electrical and Electronic Components

*Click to view similar products for* [Contactors - Electromechanical category:](#)

*Click to view products by* [TE Connectivity manufacturer:](#)

Other Similar products are found below :

[6-1618400-7](#) [686-117111](#) [686-120111](#) [686-924](#) [686-948](#) [70-901](#) [70-914](#) [MB-3D-6](#) [MC-22A/4-AC120V](#) [8-1616943-9](#) [8-1672124-5](#)  
[A40-30-10-84](#) [120-905](#) [A701U](#) [120-904](#) [1393132-9](#) [154-905](#) [154-912](#) [154-913](#) [154-915](#) [154-902](#) [154-910](#) [AVR743D](#) [B6-40-00-84](#) [B7-40-00-84](#) [1616017-5](#) [1616021-1](#) [MVDILM](#) [HP-11D-24](#) [P25-E5019-1](#) [P30C47A12D1-120](#) [P40C47A12D1-120](#) [P40P47D13P1-24-01](#) [CA7-12-10-240](#) [CA7-72-00-24Z](#) [90-162](#) [9-1393132-2](#) [2NC4F0222](#) [A275KXXV2-120VAC](#) [ACC338UMM20](#) [AF80-30-11-13](#) [SZ-B1](#) [CGC-9A-120](#) [3GC2H0M22](#) [3NC0T0A22](#) [3NC1Q0A22](#) [3NC2H0A22](#) [3NC2T0122/SE](#) [3TF3400-0BB4](#) [MC-12B-DC24V](#)