

LEV200A6NAF=RELAY, SPST-NO ✓ ACTIVE

Kilovac | Kilovac LEV200

TE Part # 5-1618388-9

TE Internal #: LEV200A6NAF

[View on TE.com >](#)



Relays, Contactors & Switches > Relays > High Voltage Relays



Contact Voltage Rating: **12 – 900 kVDC**

Contact Arrangement: **1 Form X, SPST-NO-DM**

High Voltage Connection (Coil): **Flying Leads**

High Voltage Connection (Power): **Stud Terminals**

Economizer: **Without**

Features

Product Type Features

Product Type	Contactor
--------------	-----------

Configuration Features

Economizer	Without
Power Switching	Yes

Electrical Characteristics

Contact Voltage Rating	12 – 900 kVDC
Voltage (Max)	500 VDC
Coil Voltage Rating	48 VDC
Coil Resistance	145 Ω
Contact Switching Voltage (Max)	900

Contact Features

Contact Arrangement	1 Form X, SPST-NO-DM
Auxiliary Contacts	Without
Contact Current Rating	500 A
Contact Base Material	Copper

Termination Features

High Voltage Connection (Coil)	Flying Leads
High Voltage Connection (Power)	Stud Terminals

Mechanical Attachment

Mounting Type	Side Mount
---------------	------------

Product Compliance

[For compliance documentation, visit the product page on TE.com>](#)

EU RoHS Directive 2011/65/EU	Not Yet Reviewed
EU ELV Directive 2000/53/EC	Not Yet Reviewed
China RoHS 2 Directive MIIT Order No 32, 2016	No Restricted Materials Above Threshold
EU REACH Regulation (EC) No. 1907/2006	Current ECHA Candidate List: JAN 2019 (197) Candidate List Declared Against: JAN 2019 (197)
Halogen Content	Not Low Halogen - contains Br or Cl > 900 ppm.
Solder Process Capability	Not applicable for solder process capability

Product Compliance Disclaimer

This information is provided based on reasonable inquiry of our suppliers and represents our current actual knowledge based on the information they provided. This information is subject to change. The part numbers that TE has identified as EU RoHS compliant have a maximum concentration of 0.1% by weight in homogenous materials for lead, hexavalent chromium, mercury, PBB, PBDE, DBP, BBP, DEHP, DIBP, and 0.01% for cadmium, or qualify for an exemption to these limits as defined in the Annexes of Directive 2011/65/EU (RoHS2). Finished electrical and electronic equipment products will be CE marked as required by Directive 2011/65/EU. Components may not be CE marked. Additionally, the part numbers that TE has identified as EU ELV compliant have a maximum concentration of 0.1% by weight in homogenous materials for lead, hexavalent chromium, and mercury, and 0.01% for cadmium, or qualify for an exemption to these limits as defined in the Annexes of Directive 2000/53/EC (ELV). Regarding the REACH Regulations, TE's information on SVHC in articles for this part number is still based on the European Chemical Agency (ECHA) 'Guidance on requirements for substances in articles' (Version: 2, April 2011), applying the 0.1% weight on weight concentration threshold at the finished product level. TE is aware of the European Court of Justice ruling of September 10th, 2015 also known as O5A (Once An Article Always An Article) stating that, in case of 'complex object', the threshold for a SVHC must be applied to both the product as a whole and simultaneously to each of the articles forming part of its composition. TE has evaluated this ruling based on the new ECHA "Guidance on requirements for substances in articles" (June 2017, version 4.0) and will be updating its statements accordingly.

Compatible Parts



Also in the Series | [Kilovac LEV200](#)



DC Contactors(13)



General Purpose Contactors(3)



High Voltage Relays(9)

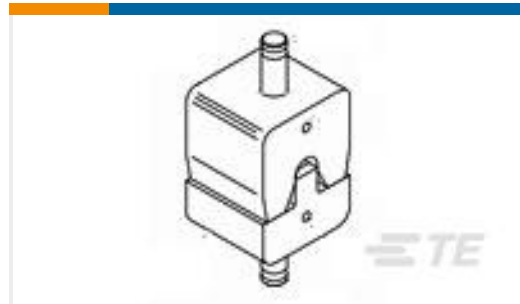
Customers Also Bought



TE Part #1879353-6
RR02 5% 6K8 AMMO



TE Part #1776945-3
JC6-F407-03



TE Part #314964-1
2/0 DIE ASSY (SEALED COPALUM)



TE Part #1-1879353-7
RR02 5% 20K AMMO



TE Part #8-1419125-5
SDT-S-106LMR,000



TE Part #1-1415540-6
RTHH4009WG



TE Part #226781-2
ARINC SIZE 15 SOCKET

Documents

CAD Files

3D PDF

3D

Customer View Model

[ENG_CVM_CVM_5-1618388-9_D.2d_dxf.zip](#)

English

Customer View Model

[ENG_CVM_CVM_5-1618388-9_D.3d_igs.zip](#)

English

Customer View Model

[ENG_CVM_CVM_5-1618388-9_D.3d_stp.zip](#)

English

Datasheets & Catalog Pages

[5-1773450-5_sec7_LEV200](#)

English

LEV200A6NAF=RELAY, SPST-NO

TE Part # 5-1618388-9
TE Internal #: LEV200A6NAF



X-ON Electronics

Largest Supplier of Electrical and Electronic Components

Click to view similar products for [General Purpose Relays](#) category:

Click to view products by [TE Connectivity](#) manufacturer:

Other Similar products are found below :

[APF30318](#) [JVN1AF-4.5V-F](#) [PCN-105D3MHZ](#) [5JO-10000S-SIL](#) [5JO-1000CD-SIL](#) [5JO-400CD-SIL](#) [LY2S-AC220/240](#) [LYQ20DC12](#)
[6031007G](#) [6131406HQ](#) [6-1393099-8](#) [6-1393122-4](#) [6-1393123-2](#) [6-1393767-1](#) [6-1393843-7](#) [6-1415012-1](#) [6-1419102-2](#) [6-1423698-4](#) [6-](#)
[1608051-6](#) [6-1608067-0](#) [6-1616170-6](#) [6-1616248-2](#) [6-1616282-3](#) [6-1616348-2](#) [6-1616349-9](#) [6-1616350-1](#) [6-1616350-8](#) [6-1616358-7](#) [6-](#)
[1616359-9](#) [6-1616360-9](#) [6-1616931-6](#) [6-1617039-1](#) [6-1617052-1](#) [6-1617090-2](#) [6-1617090-5](#) [6-1617347-5](#) [6-1617353-3](#) [6-1617801-8](#) [6-](#)
[1618107-9](#) [6-1618248-4](#) [CX-4014](#) [MAHC-5494](#) [MAVCD-5419-6](#) [703XCX-120A](#) [7-1393100-5](#) [7-1393111-7](#) [7-1393767-8](#) [7-1414968-8](#) [7-](#)
[1419130-3](#) [7-1608047-2](#)