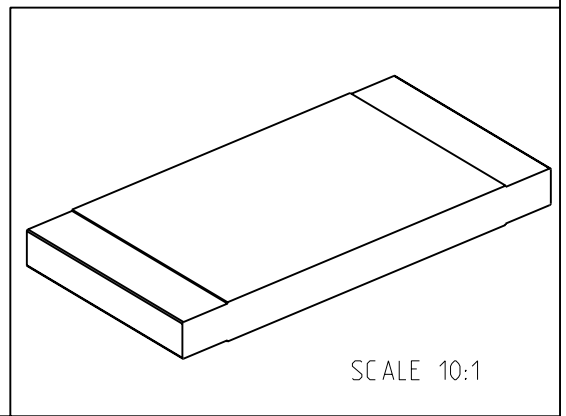


LOC	DIST	REVISIONS			
P	LTR	DESCRIPTION	DATE	DWN	APVD
E	B	BA1	REVISED PER ECO-11-005150	11MAY2011	RK HMR

FOR FURTHER INFORMATION SEE DATA SHEET FOR SERIES TL3A - SMD LOW-OHMIC CURRENT SENSE RESISTORS



RoHS Compliant




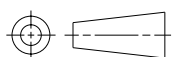
2009

RELEASED FOR PUBLICATION

ALL RIGHTS RESERVED.

THIS DRAWING IS UNPUBLISHED.

© COPYRIGHT 2009

DIMENSIONS:		DWN	07-JAN-09	MATERIAL	FINISH	
mm		SUBHASH.M		-	-	
TOLERANCES UNLESS OTHERWISE SPECIFIED:		CHK	07-JAN-09	 TE Connectivity		
		PRAKASH.S				
0 PLC ±0.2		APVD	07-JAN-09	NAME SMD LOW-OHMIC CURRENT SENSE RESISTORS SERIES TL3A		
1 PLC ±0.1		STEPHEN.P				
2 PLC ±		PRODUCT SPEC		SIZE	CAGE CODE	DRAWING NO
3 PLC ±		-		A 4	00779	©-1625827
4 PLC ±		APPLICATION SPEC		RESTRICTED TO		
ANGLES ±5°		-		-		
		WEIGHT	-	SCALE 20:1		SHEET 1 OF 1
CUSTOMER DRAWING				REV BA1		

## X-ON Electronics

Largest Supplier of Electrical and Electronic Components

*Click to view similar products for [Current Sense Resistors - SMD category](#):*

*Click to view products by [TE Connectivity manufacturer](#):*

Other Similar products are found below :

[5112](#) [65709-330JE](#) [PF2512FKF7W0R007L](#) [PR2512FKF7W0R003L](#) [PR2512FKF7W0R005L](#) [RCWL0603R500JNEA](#) [ERJ-3BQF1R1V](#) [ERJ-L14UJ42MU](#) [2-2176088-5](#) [PF2512FKF7W0R006L](#) [PF2512FKF7W0R033L](#) [2-2176089-4](#) [CD2015FC-0.10-1%](#) [PR2512FKF7W0R004L](#) [CGSSL1R01J](#) [CGSSL1R047J](#) [RC1005F124CS](#) [RCWE2512R110FKEA](#) [RCWL0805R330JNEA](#) [RL73H3AR47FTE](#) [RL73K3AR56JTDF](#) [RL7520WT-R001-F](#) [RL7520WT-R009-G](#) [RL7520WT-R020-F](#) [RLP73N1ER43JTD](#) [TL3AR01FTDG](#) [TLR3A20DR0005FTDG](#) [LRC-LR2512LF-01-R820J](#) [ERJ-3BQF4R3V](#) [ERJ-L14UF68MU](#) [TLR3A20DR001FTDG](#) [TLR3A30ER0005FTDG](#) [WR06X104JGLJ](#) [RLP73K1ER82JTD](#) [TL2BR01F](#) [TLR3A20DR01FTDG](#) [WSR3R0600FEA32](#) [ERJ-14BQF1R6U](#) [ERJ-14BQJR30U](#) [SP1220RJT](#) [SP1R12J](#) [ERJ-14BQF6R2U](#) [RL7520WT-R039-G](#) [PF1206FRF7W0R02L](#) [RL7520WT-R002-F](#) [RL7520WT-R047-F](#) [RLP73N2BR068FTDF](#) [RL7520WT-R005-F](#) [RCWE2512R220FKEA](#) [RCWE120625L0FMEA](#)