

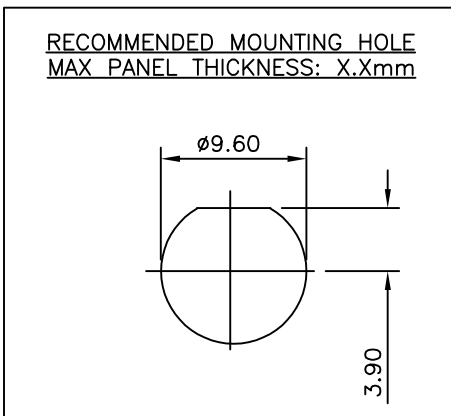
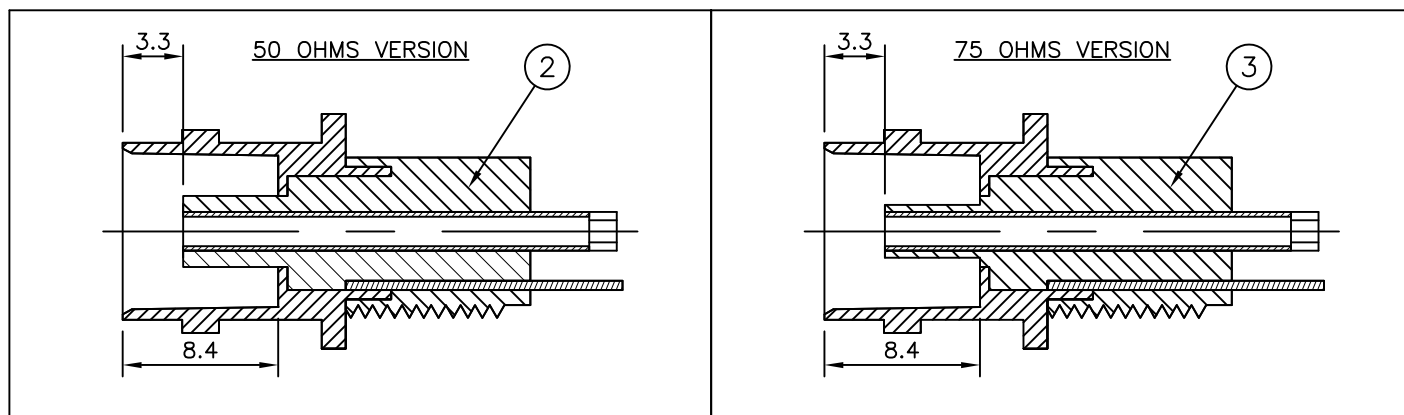
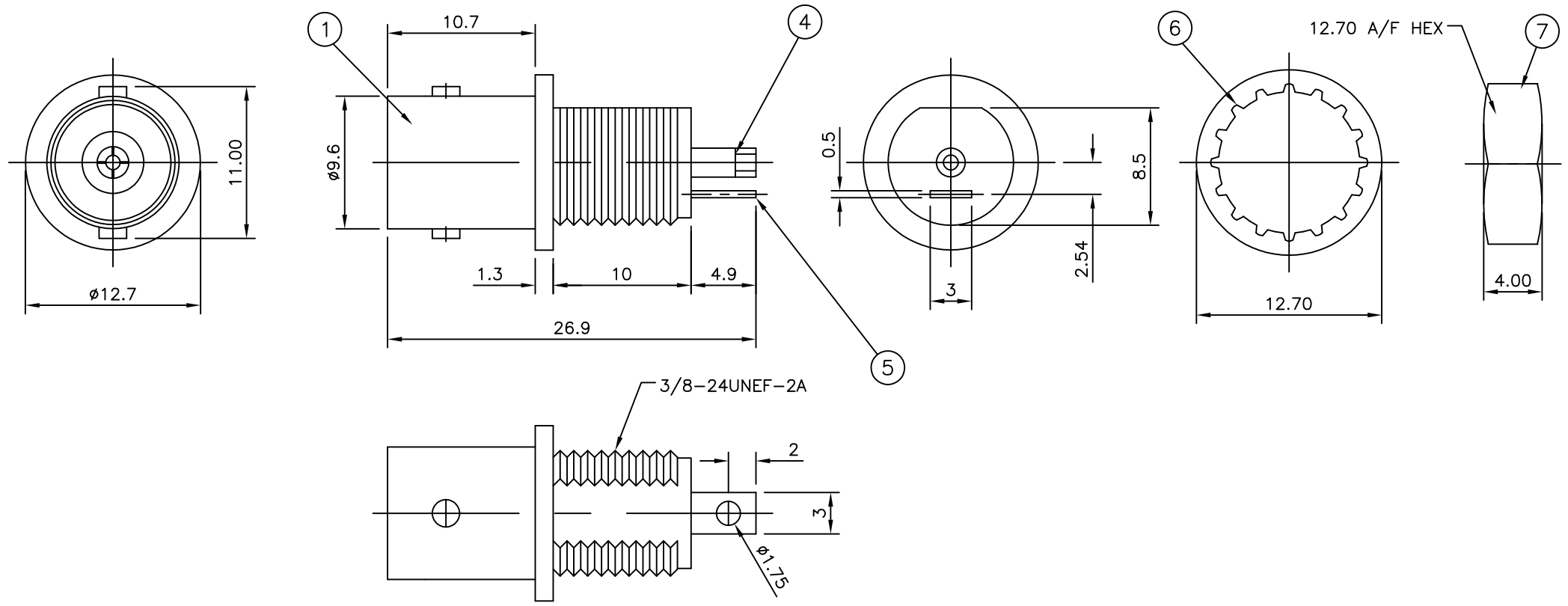
THIS DRAWING IS UNPUBLISHED. RELEASED FOR PUBLICATION AUGUST, 2005.

© COPYRIGHT 2005 By - ALL RIGHTS RESERVED.

| LOC | DIST | REVISIONS | | | |
|-----|------|-------------|---------------------------|---------|--------------|
| P | LTR | DESCRIPTION | DATE | DWN | APVD |
| E | B | B1 | REVISED PER ECO-11-005033 | 31MAR11 | RK HMR |
| | | C | REVISED PER ECO-12-002190 | 03FEB12 | TITAN MARTIN |

NOTES

- 1 100 TRAY PACK IN ACCORDANCE WITH AMP SPEC 107-3275
- 2 SINGLE PACK IN ACCORDANCE WITH AMP SPEC 107-3275
- 3 Au PLATING OVER Ni PLATING OVER Cu PLATING
- 4 Ni PLATING OVER Cu PLATING
- 5. FOR TECHNICAL DATA REFER TO YOUR LOCAL TE CONNECTIVITY SALES OFFICE
- 6. ALL DIMENSIONS ARE NOMINAL FOR REFERENCE ONLY UNLESS OTHERWISE STATED



| OBSOLETE | | OBSOLETE | | QUANTITY PER ASSY | PARTS LIST | |
|----------|------|----------|------|-------------------|-------------|------|
| 1 | 1 | 1 | 1 | BRASS | HEX NUT | 7 |
| 1 | 1 | 1 | 1 | STEEL | LOCK WASHER | 6 |
| 1 | 1 | 1 | 1 | BRASS | GROUND TAG | 5 |
| 1 | 1 | 1 | 1 | PHOS BRONZE | CONTACT | 4 |
| | 1 | - | - | PBT POLYESTER | INSULATOR | 3 |
| | - | 1 | 1 | PBT POLYESTER | INSULATOR | 2 |
| 1 | 1 | 1 | 1 | ZINC ALLOY | BODY | 1 |
| 5--3 | 5--2 | 5--1 | 5--0 | MATERIAL | DESCRIPTION | ITEM |

THIS DRAWING IS A CONTROLLED DOCUMENT.

| | | | | | | | |
|------------------|------------|-----------|---------------------|---|------------|---------------|-----|
| DWN | RITA ZUO | 24 Feb 09 | TE Connectivity | BNC INSULATED BULKHEAD SOCKET FRONT MOUNT | | | |
| CHK | ANSON MA | 24 Feb 09 | | | | | |
| APVD | BOB ZHAO | 24 Feb 09 | | | | | |
| PRODUCT SPEC | 108-112000 | | | | | | |
| APPLICATION SPEC | | | SIZE | CAGE CODE | DRAWING NO | RESTRICTED TO | |
| | | | | A300779 | C-1634504 | | |
| MATERIAL | SEE TABLE | FINISH | SEE TABLE | CUSTOMER DRAWING | SCALE | SHEET | REV |
| | | | | | NTS | 1 OF 1 | C |

X-ON Electronics

Largest Supplier of Electrical and Electronic Components

Click to view similar products for [RF Connectors / Coaxial Connectors](#) category:

Click to view products by [TE Connectivity](#) manufacturer:

Other Similar products are found below :

[8915-1511-000](#) [89674-0827](#) [6001-7071-019](#) [6002-7051-003](#) [6002-7551-202](#) [6059674-1](#) [619550-1](#) [630059-000](#) [M39030/3-01N](#) [6500-7071-046](#) [6769](#) [CX050L2AQ](#) [7002-1541-010](#) [7002-1542-011](#) [7004-1512-000](#) [7009-1511-004](#) [7010-1511-000](#) [7029-1511-060](#) [7101-1541-010](#) [7101-1571-002](#) [7105-1521-002](#) [7145-1521-002](#) [7203-1571-003](#) [7209-1511-011](#) [7210-1511-015](#) [7210-1511-019](#) [73137-5015](#) [73216-2241](#) [73404-2300](#) [7405-1521-005](#) [7405-1521-802](#) [8527](#) [8547](#) [FS11V](#) [877931](#) [8808-1511-001](#) [9074-9513-000](#) [9101-9573-002](#) [910A205F](#) [9130-9573-002](#) [PL11SC-026](#) [PL375-33](#) [PL40-5](#) [PL74C-221](#) [PL75MC-217](#) [PL803-7](#) [1200690078](#) [1-201144-1](#) [R107003010W](#) [R110A172100](#)