

THIS DRAWING IS UNPUBLISHED.

RELEASED FOR PUBLICATION OCT ,2005.

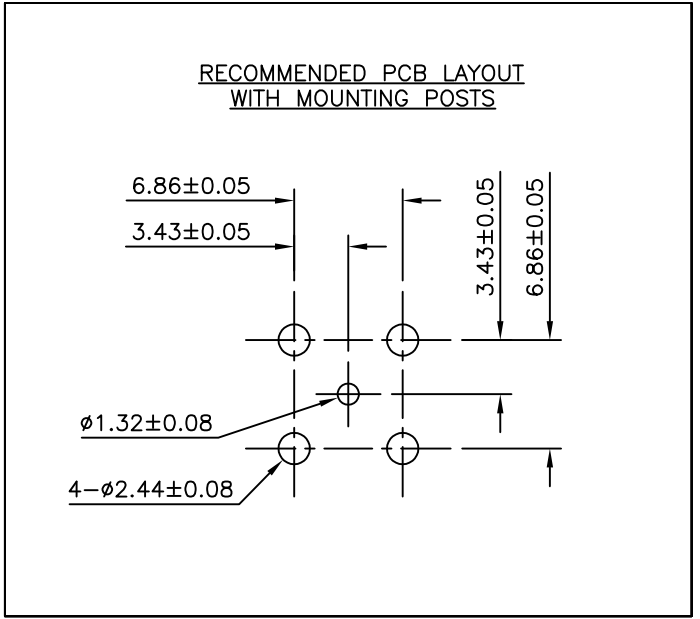
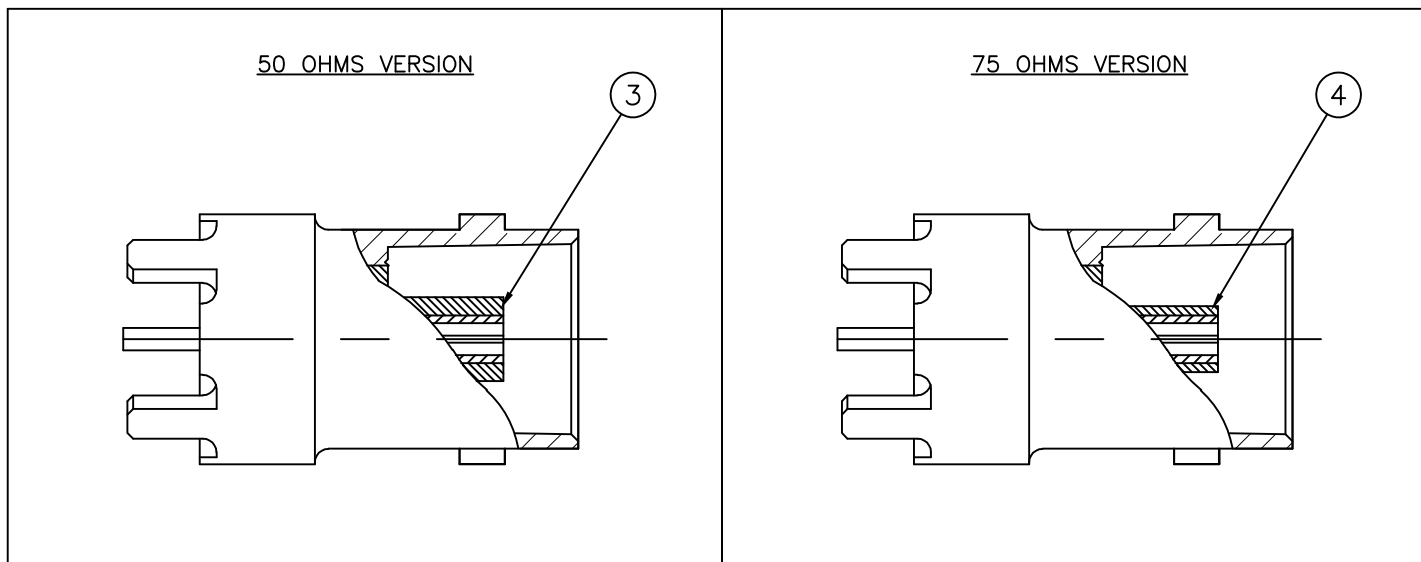
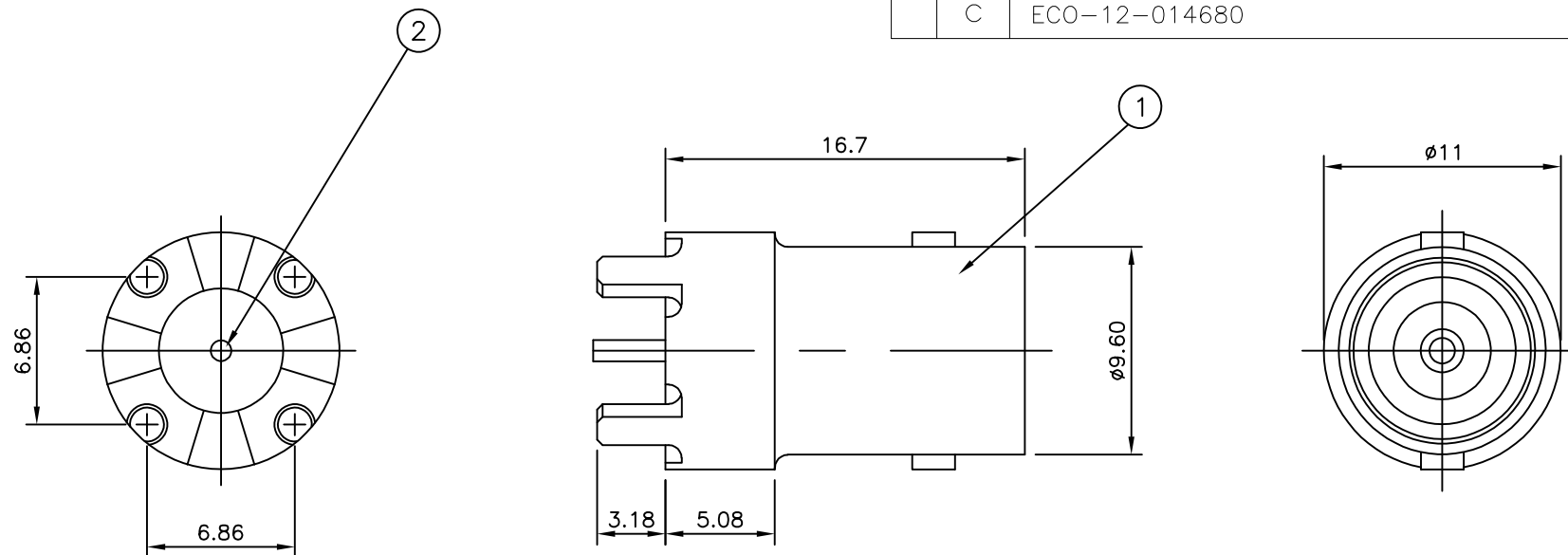
© COPYRIGHT 2005 By -

ALL RIGHTS RESERVED.

LOC	DIST	REVISIONS			
P	LTR	DESCRIPTION	DATE	DWN	APVD
E	B	B1	REVISED PER ECO-11-005033	31MAR11	RK HMR
		C	ECO-12-014680	20Aug2012	TITAN MARTIN

NOTES

- ① 100 TRAY PACK IN ACCORDANCE WITH AMP SPEC 107-3275
- ② SINGLE PACK IN ACCORDANCE WITH AMP SPEC 107-3275
- ③ Au PLATING
- ④ Ni PLATING



		Obsolete		Obsolete					
QTY	UNIT	1	1	-	-	TPX	INSULATOR	ITEM	
-	-	1	1	1	1	TPX	INSULATOR	3	
		1	1	1	1	PHOS BRONZE	③ CONTACT	2	
		1	1	1	1	ZINC ALLOY	④ BODY	1	
		5--3	5--2	5--1	5--0		MATERIAL	DESCRIPTION	ITEM
QUANTITY PER ASSY						PARTS LIST			

THIS DRAWING IS A CONTROLLED DOCUMENT.		DWN RITA ZUO 11 Mar 09	TE Connectivity BNC STRAIGHT PCB SOCKET											
DIMENSIONS: mm		CHK ANSON MA 11 Mar 09												
TOLERANCES UNLESS OTHERWISE SPECIFIED:		APVD BOB ZHAO 11 Mar 09												
<table border="1"> <tr><td>0 PLC</td><td>± 0.5</td></tr> <tr><td>1 PLC</td><td>± 0.3</td></tr> <tr><td>2 PLC</td><td>± 0.2</td></tr> <tr><td>3 PLC</td><td>± -</td></tr> <tr><td>4 PLC</td><td>± -</td></tr> <tr><td>ANGLES</td><td>± -</td></tr> </table>		0 PLC				± 0.5	1 PLC	± 0.3	2 PLC	± 0.2	3 PLC	± -	4 PLC	± -
0 PLC	± 0.5													
1 PLC	± 0.3													
2 PLC	± 0.2													
3 PLC	± -													
4 PLC	± -													
ANGLES	± -													
MATERIAL		PRODUCT SPEC 108-112000	SIZE	CAGE CODE	DRAWING NO	RESTRICTED TO								
FINISH		APPLICATION SPEC	—	—	—	—								
		WEIGHT	A300779		C-1634506	—								
		CUSTOMER DRAWING		SCALE NTS	SHEET 1 OF 1	REV C								

X-ON Electronics

Largest Supplier of Electrical and Electronic Components

Click to view similar products for [RF Connectors / Coaxial Connectors](#) category:

Click to view products by [TE Connectivity](#) manufacturer:

Other Similar products are found below :

[8915-1511-000](#) [89674-0827](#) [6001-7071-019](#) [6002-7051-003](#) [6002-7551-202](#) [6059674-1](#) [619550-1](#) [630059-000](#) [M39030/3-01N](#) [6500-7071-046](#) [6769](#) [CX050L2AQ](#) [7002-1541-010](#) [7002-1542-011](#) [7004-1512-000](#) [7009-1511-004](#) [7010-1511-000](#) [7029-1511-060](#) [7101-1541-010](#) [7101-1571-002](#) [7145-1521-002](#) [7203-1571-003](#) [7209-1511-011](#) [7210-1511-015](#) [7210-1511-019](#) [73137-5015](#) [73216-2241](#) [73404-2300](#) [7405-1521-005](#) [7405-1521-802](#) [8527](#) [8547](#) [FS11V](#) [877931](#) [8808-1511-001](#) [9074-9513-000](#) [9101-9573-002](#) [910A205F](#) [9130-9573-002](#) [PL11SC-026](#) [PL375-33](#) [PL40-5](#) [PL74C-221](#) [PL75MC-217](#) [PL803-7](#) [1200690078](#) [1-201144-1](#) [R107003010W](#) [R110A172100](#) [R112186000](#)