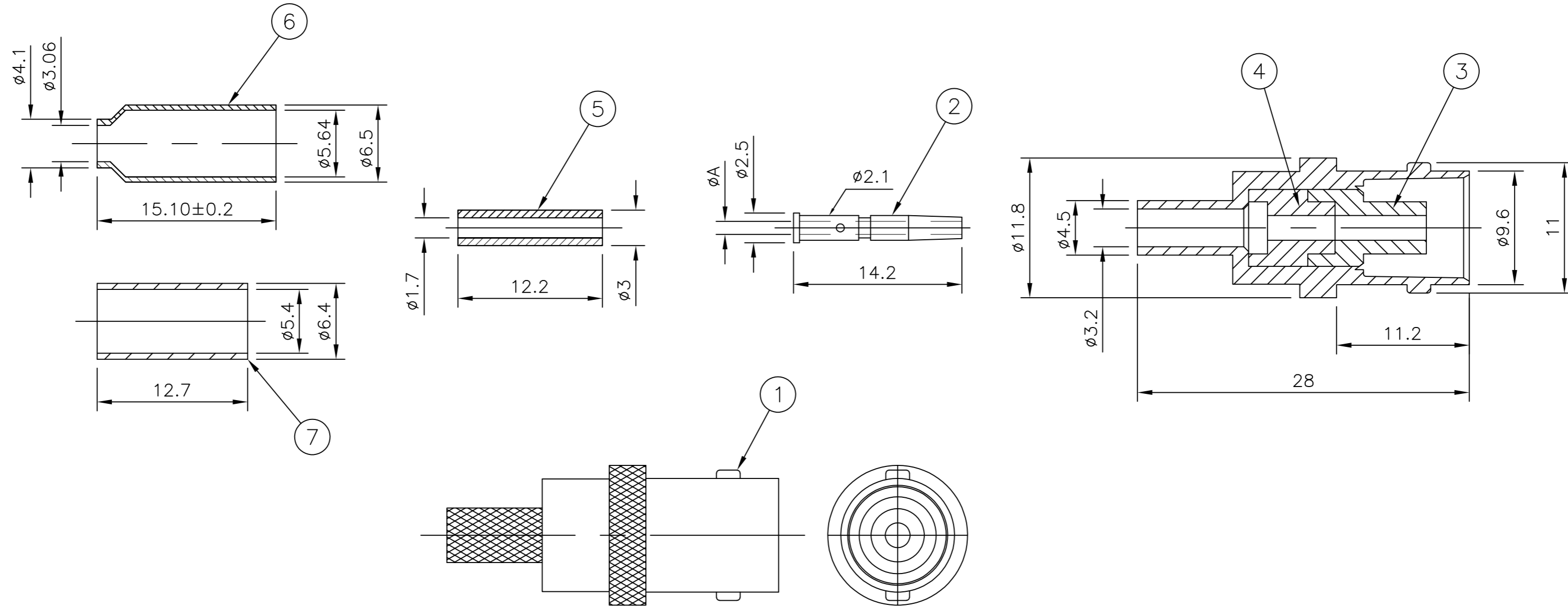


THIS DRAWING IS UNPUBLISHED. RELEASED FOR PUBLICATION JUNE ,2004.  
 © COPYRIGHT 2004 By - ALL RIGHTS RESERVED.

| LOC | DIST | REVISIONS |     |               |           |       |        |
|-----|------|-----------|-----|---------------|-----------|-------|--------|
| E   | B    | P         | LTR | DESCRIPTION   | DATE      | DWN   | APVD   |
|     |      | C1        |     | ECO-09-023525 | 20 OCT 09 | RITA  | BOB    |
|     |      | D         |     | ECO-12-014680 | 20Aug2012 | TITAN | MARTIN |

- NOTES**
- 1 IP PACK: 1PC/ONE BAG, 100PCS/INNER BOX, 1000PCS/OUTER BOX
  - 2 BULK PACK: 100PCS/ONE BAG, 100PCS/INNER BOX, 1000PCS/OUTER BOX
  - 3 Au PLATING OVER Ni PLATING OVER Cu PLATING
  - 4 Ni PLATING OVER Cu PLATING
  5. HAND TOOL: 9-1478240-0
  6. DIE SET: SEE TABLE
  7. FOR TECHNICAL DATA REFER TO YOUR LOCAL TYCO ELECTRONICS SALES OFFICE
  8. ALL DIMENSIONS ARE NOMINAL FOR REFERENCE ONLY UNLESS OTHERWISE STATED

|            |  |  |  | 1.1  | 9-1478242-0 | RG58C/U, 141A/U, URM43, 76, BELDEN 9907, KX 15 |  |  | 5-1634511-3 |
|------------|--|--|--|------|-------------|--|--|--|-------------|
|            |  |  |  | 1.1  | 9-1478242-0 | RG58C/U, 141A/U, URM43, 76, BELDEN 9907, KX 15 |  |  | 5-1634511-2 |
|            |  |  |  | 0.57 | 9-1478242-0 | RG174A/U, 188A/U, 316/U, URM95, KX 3B, KX 22A  |  |  | 5-1634511-1 |
|            |  |  |  | 0.57 | 9-1478242-0 | RG174A/U, 188A/U, 316/U, URM95, KX 3B, KX 22A  |  |  | 5-1634511-0 |
|            |  |  |  | A    | DIE SET     | CABLE GROUPS                                   |  |  | PART NO.    |
| DIMENSIONS |  |  |  |      |             |  |  |  |             |



| QTY | UNIT | DESCRIPTION       | ITEM            |
|-----|------|-------------------|-----------------|
| 1   | 1    | BRASS             | CRIMP SLEEVE 7  |
| -   | -    | BRASS             | CRIMP SLEEVE 6  |
| -   | -    | NYLON             | PUSHER SLEEVE 5 |
| 1   | 1    | POLYMETHYLPENTENE | INSULATOR 4     |
| 1   | 1    | POLYMETHYLPENTENE | INSULATOR 3     |
| 1   | 1    | PHOSPHOR BRONZE   | CONTACT 2       |
| 1   | 1    | ZINC ALLOY        | BODY 1          |
| 5   | 35   | 25                | 15              |
|     |      |                   |                 |

THIS DRAWING IS A CONTROLLED DOCUMENT.

DWN: RITA ZUO 24 Feb 09  
 CHK: ANSON MA 24 Feb 09  
 APVD: BOB ZHAO 24 Feb 09

TE Connectivity  
**BNC STRAIGHT JACK CRIMP**  
 50 OHM

108-112000  
 SEE SHEET 2

SIZE: A2 CAGE CODE: 00779 DRAWING NO: 1634511  
 SCALE: NTS SHEET: 1 OF 2 REV: D

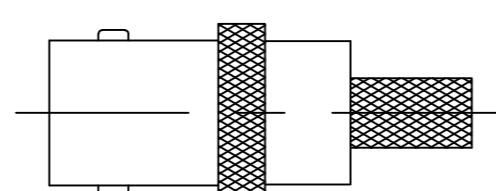
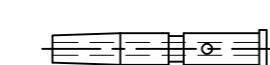
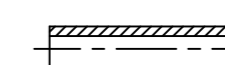
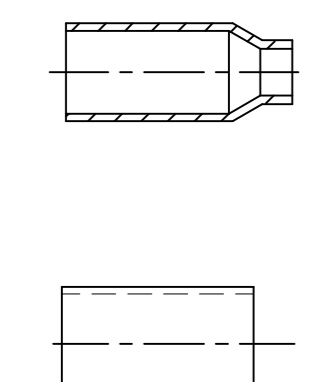
MATERIAL: SEE TABLE FINISH: SEE TABLE WEIGHT: -

CUSTOMER DRAWING

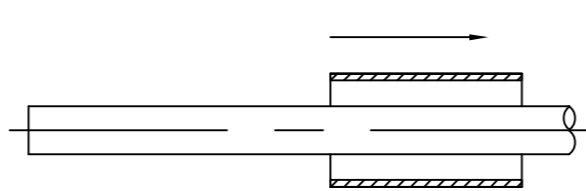
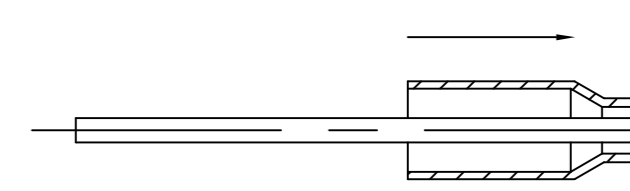
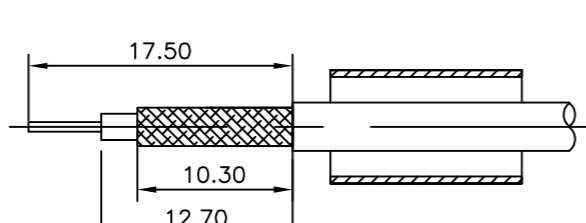
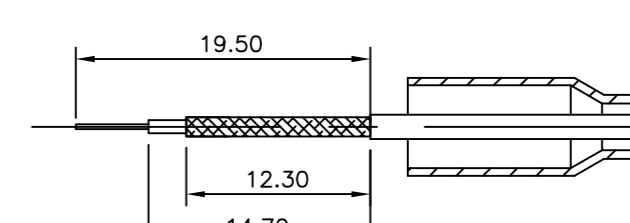
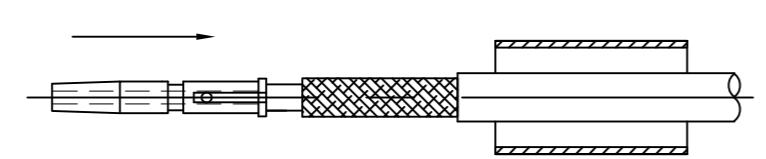
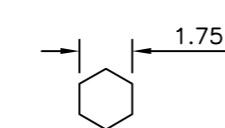
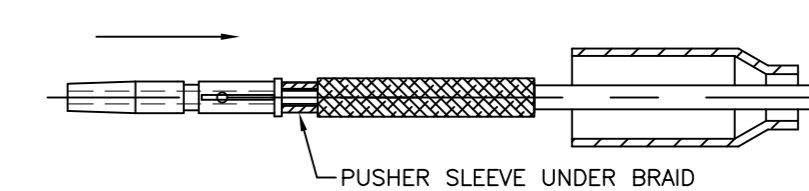
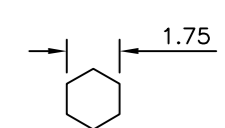
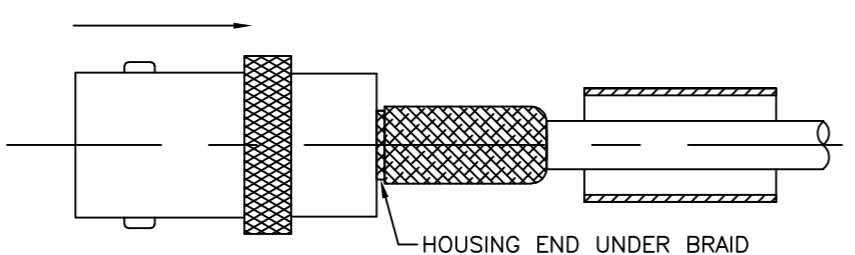
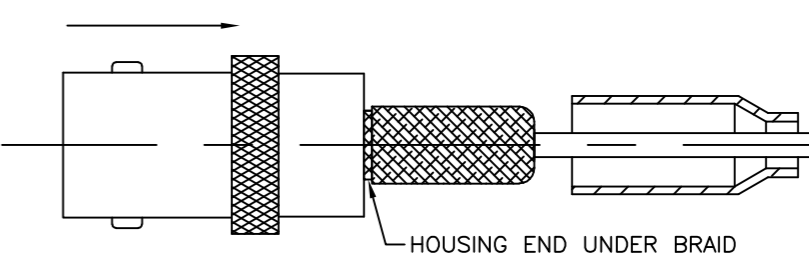
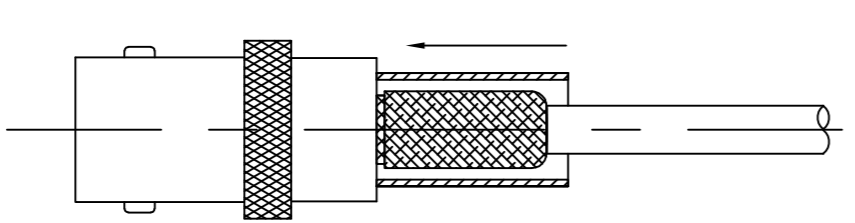
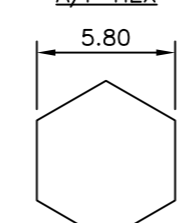
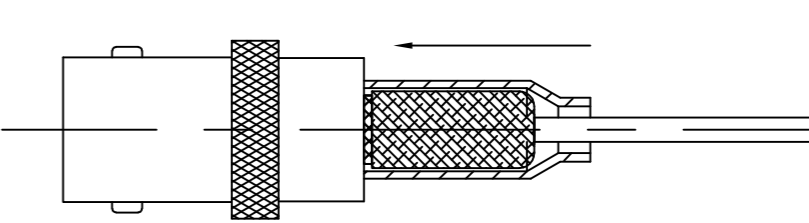
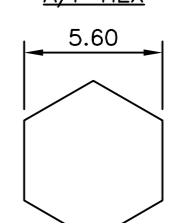
THIS DRAWING IS UNPUBLISHED. RELEASED FOR PUBLICATION JUNE ,2004.  
 © COPYRIGHT 2004 By - ALL RIGHTS RESERVED.

| LOC | DIST | REVISIONS   |      |     |      |
|-----|------|-------------|------|-----|------|
| P   | LTR  | DESCRIPTION | DATE | DWN | APVD |
| E   | B    | SEE SHEET 1 | -    | -   | -    |

COMPONENTS

| MAIN BODY<br>(ITEM 1,3, & 4)  | CONTACT<br>(ITEM 2)   | PUSHER SLEEVE<br>(ITEM 5)   | CRIMP FERRULES<br>(ITEM 6 & 7)  |
|---|---|---|---|
|  |  |  |  |

ASSEMBLY INSTRUCTION

| CABLES: RG58C/U, 141A/U, URM43, 76, BELDEN 9907, KX 15  | CABLES: RG174A/U, 188A/U, 316/U, URM95, KX 3B, KX 22A  |
|---|--|
| <p><b>STEP 1</b></p> <p>1. SLIDE METAL CRIMP FERRULE OVER CABLE</p>   | <p><b>STEP 1</b></p> <p>1. SLIDE METAL CRIMP FERRULE OVER CABLE</p>   |
| <p><b>STEP 2</b></p> <p>1. STRIP CABLE TO DIMENSIONS AS SHOWN</p>   | <p><b>STEP 2</b></p> <p>1. STRIP CABLE TO DIMENSIONS AS SHOWN</p>   |
| <p><b>STEP 3</b></p> <p>1. FIT CONTACT OVER CENTRE CONDUCTOR TO BUTT AGAINST DIELECTRIC.<br/>           2. CRIMP USING TOOL AS NOTES ON PAGE 1.</p>  <p>RECOMMENDED CENTRE CONTACT A/F HEX</p>   | <p><b>STEP 3</b></p> <p>1. SLIDE ITEM 10 PUSHER SLEEVE OVER DIELECTRIC BEFORE FITTING THE CONTACT.<br/>           2. FIT CONTACT OVER CENTRE CONDUCTOR TO BUTT AGAINST DIELECTRIC.<br/>           3. CRIMP USING TOOL AS NOTES ON PAGE 1.</p>  <p>PUSHER SLEEVE UNDER BRAID</p> <p>RECOMMENDED CENTRE CONTACT A/F HEX</p>  |
| <p><b>STEP 4</b></p> <p>1. PRESS SUB-ASSEMBLY INTO BODY, UNTIL CONTACT IS FULLY LOCATED BY AN AUDIBLE CLICK.<br/>           2. ENSURE THAT KNURLED HOUSING INSERTS BETWEEN THE DIELECTRIC AND CABLE BRAID.</p>  <p>HOUSING END UNDER BRAID</p>  | <p><b>STEP 4</b></p> <p>1. PRESS SUB-ASSEMBLY INTO BODY, UNTIL CONTACT IS FULLY LOCATED BY AN AUDIBLE CLICK.<br/>           2. ENSURE THAT KNURLED HOUSING INSERTS BETWEEN THE PUSHER SLEEVE AND CABLE BRAID.</p>  <p>HOUSING END UNDER BRAID</p>   |
| <p><b>STEP 5</b></p> <p>1. SLIDE CRIMP FERRULE ALONG THE CABLE UNTIL IT BUTTS AGAINST THE HOUSING BODY.<br/>           2. CRIMP USING TOOL AS NOTED ON PAGE 1.<br/>           3. CRIMP DIMENSION AS SHOWN.</p>  <p>RECOMMENDED CRIMP SLEEVE A/F HEX</p>  | <p><b>STEP 5</b></p> <p>1. SLIDE CRIMP FERRULE ALONG THE CABLE UNTIL IT BUTTS AGAINST THE BODY HOUSING.<br/>           2. CRIMP USING TOOL AS NOTED ON PAGE 1.<br/>           3. CRIMP DIMENSION AS SHOWN.</p>  <p>RECOMMENDED CRIMP SLEEVE A/F HEX</p>    |

THIS DRAWING IS A CONTROLLED DOCUMENT.

|      |          |           |
|------|----------|-----------|
| DWN  | RITA ZUO | 24 Feb 09 |
| CHK  | ANSON MA | 24 Feb 09 |
| APVD | BOB ZHAO | 24 Feb 09 |

PRODUCT SPEC: 108-112000  
 APPLICATION SPEC: SHEET 2

TE Connectivity  
 BNC STRAIGHT JACK CRIMP  
 50 OHM

SIZE: A2 CAGE CODE: 00779 DRAWING NO: C-1634511 RESTRICTED TO: -

SCALE: NTS SHEET: 2 of 2 REV: D

## X-ON Electronics

Largest Supplier of Electrical and Electronic Components

*Click to view similar products for [RF Connectors / Coaxial Connectors](#) category:*

*Click to view products by [TE Connectivity](#) manufacturer:*

Other Similar products are found below :

[8915-1511-000](#) [89674-0827](#) [6001-7071-019](#) [6002-7051-003](#) [6002-7551-202](#) [6059674-1](#) [619550-1](#) [630059-000](#) [M39030/3-01N](#) [6500-7071-046](#) [6769](#) [CX050L2AQ](#) [7002-1541-010](#) [7002-1542-011](#) [7004-1512-000](#) [7009-1511-004](#) [7010-1511-000](#) [7029-1511-060](#) [7101-1541-010](#) [7101-1571-002](#) [7105-1521-002](#) [7145-1521-002](#) [7203-1571-003](#) [7209-1511-011](#) [7210-1511-015](#) [7210-1511-019](#) [73137-5015](#) [73216-2241](#) [73404-2300](#) [7405-1521-005](#) [7405-1521-802](#) [8527](#) [8547](#) [FS11V](#) [877931](#) [9049-9513-000](#) [9074-9513-000](#) [9101-9573-002](#) [910A205F](#) [9130-9573-002](#) [PL11SC-026](#) [PL375-33](#) [PL40-5](#) [PL74C-221](#) [PL75MC-217](#) [PL803-7](#) [1200690078](#) [1-201144-1](#) [R107003010W](#) [R110A172100](#)