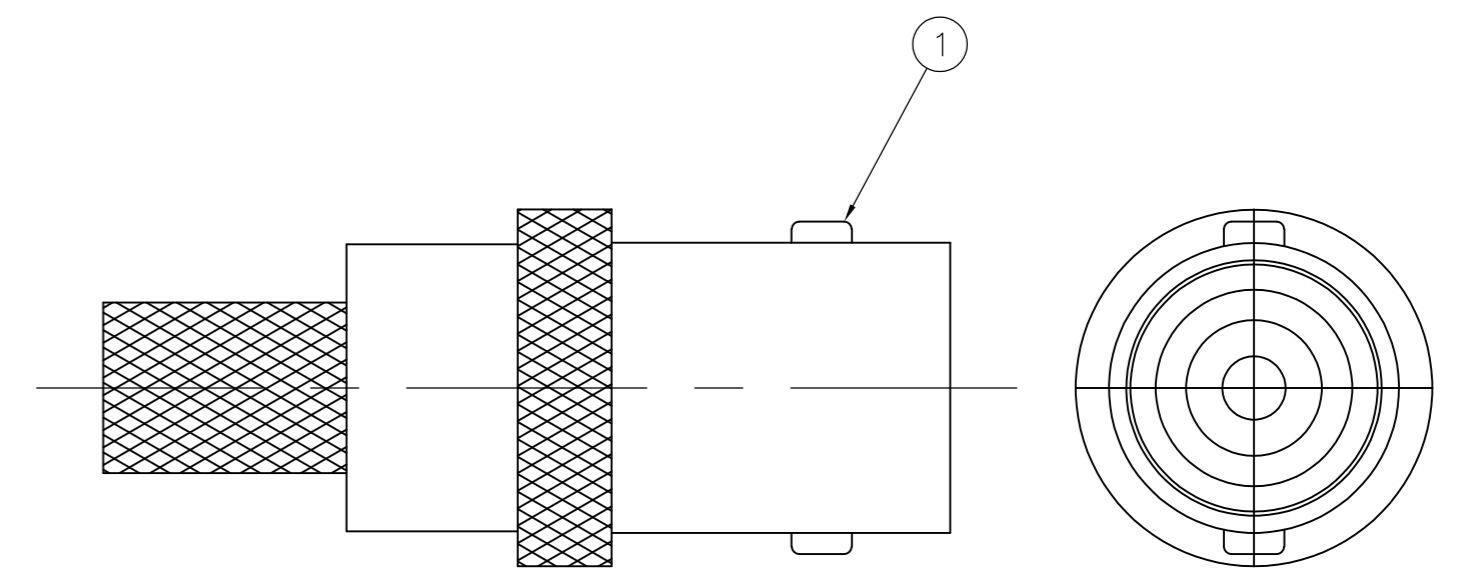
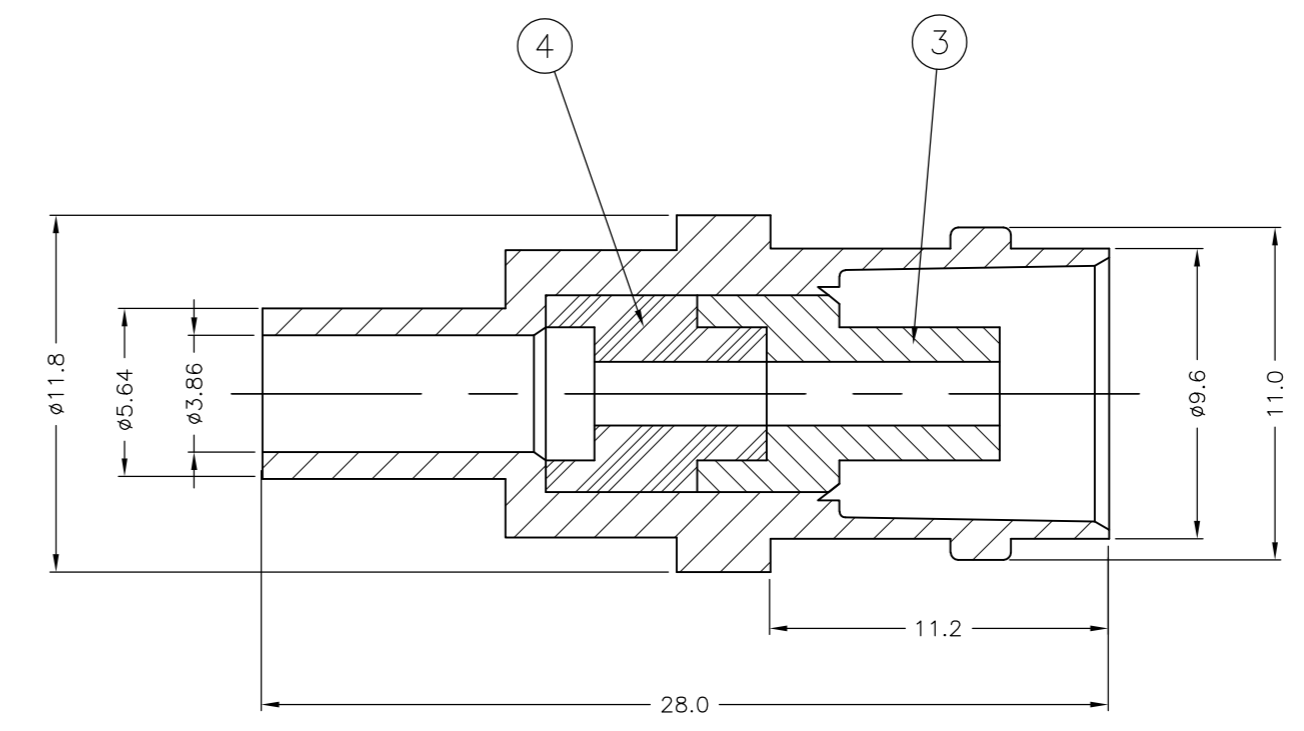
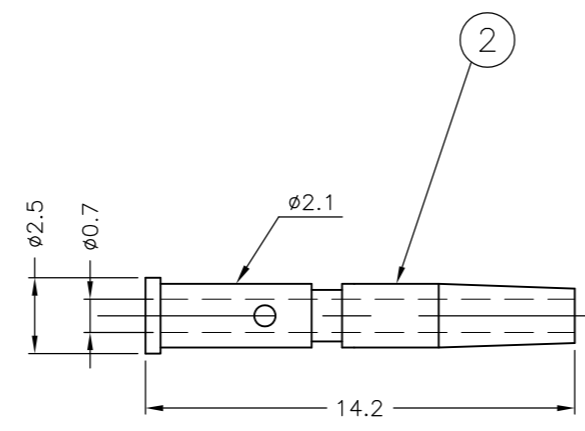
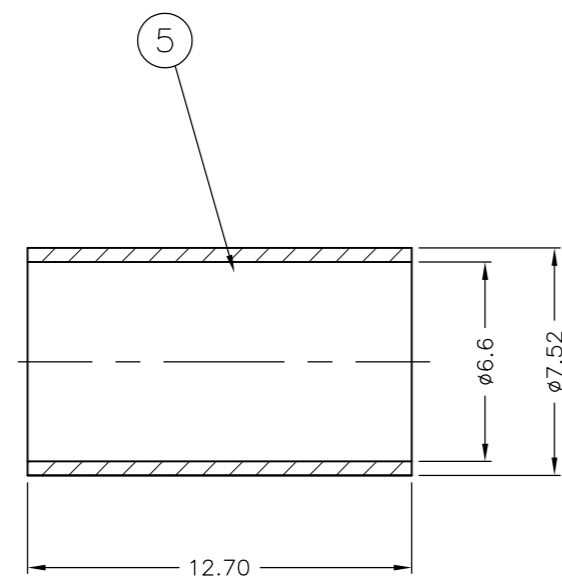


THIS DRAWING IS UNPUBLISHED. RELEASED FOR PUBLICATION DEC , 2004.
 © COPYRIGHT 2004 By - ALL RIGHTS RESERVED. TODOS LOS DERECHOS RESERVADOS.

LOC	DIST	REVISIONS			
P	LTR	DESCRIPTION	DATE	DWN	APVD
E	B	D1	ECO-15-009168	24JUN2015	RZ RS

- NOTES
- 1 SINGLE PACK IN ACCORDANCE WITH AMP SPEC 107-3275
 - 2 100 BODIES IN A HEAT SEALED BAG; 100 CONTACTS IN SEPARATE HEAT SEALED BAG; 100 CRIMP SLEEVES IN A SEPARATE HEAT SEALED BAG. ALL THREE BAGS WOULD BE PLACED IN A LABELED UNIT CONTAINER TO MAKE A PACKAGE OF 100 COMPLETE KITS.
 - 3 Au PLATING OVER Ni PLATING OVER Cu PLATING
 - 4 Ni PLATING OVER Cu PLATING
 5. HAND TOOL: 9-1478240-0
 6. DIE SET: 9-1478242-0
 7. FOR TECHNICAL DATA REFER TO YOUR LOCAL TE CONNECTIVITY SALES OFFICE
 8. ALL DIMENSIONS ARE NOMINAL FOR REFERENCE ONLY UNLESS OTHERWISE STATED



QTY	UNIT	MATERIAL	DESCRIPTION	ITEM
1	1	BRASS	CRIMP SLEEVE	5
1	1	POLYMETHYLPENTENE	INSULATOR	4
1	1	POLYMETHYLPENTENE	INSULATOR	3
1	1	PHOSPHOR BRONZE	CONTACT	2
1	1	ZINC ALLOY	BODY	1
5	15	MATERIAL	DESCRIPTION	ITEM

THIS DRAWING IS A CONTROLLED DOCUMENT.

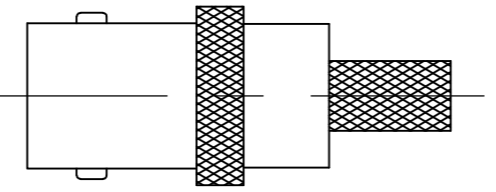
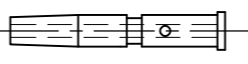
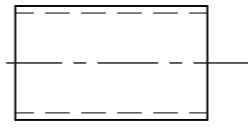
DWN RITA ZUO 11 Mar 09		NAME	
CHK ANSON MA 11 Mar 09		BNC STRAIGHT JACK CRIMP 75 OHM	
APVD BOB ZHAO 11 Mar 09		RC59B/U, 62A/U, 140/U, 210/U, URM90	
PRODUCT SPEC 108-112000		KX6A, KX25, KX52, KX53	
APPLICATION SPEC SEE SHEET 2	SIZE A2	CAGE CODE 00779	DRAWING NO. 1634514
MATERIAL SEE TABLE	WEIGHT -	SCALE NTS	SHEET 1 2
TOLERANCES UNLESS OTHERWISE SPECIFIED:	CUSTOMER DRAWING		
0 PLC ± 0.5	RESTRICTED TO -		
1 PLC ± 0.3	REV D1		
2 PLC ± 0.2			
3 PLC ± -			
4 PLC ± -			
ANGLES ± -			
FINISH SEE TABLE			

1634514

THIS DRAWING IS UNPUBLISHED. RELEASED FOR PUBLICATION DEC , 2004.
 © COPYRIGHT 2004 By - ALL RIGHTS RESERVED. TODOS LOS DERECHOS RESERVADOS.

LOC	DIST	REVISIONS					
E	B	P	LTR	DESCRIPTION	DATE	DWN	APVD
		-		SEE SHEET 1	-	-	-

COMPONENTS

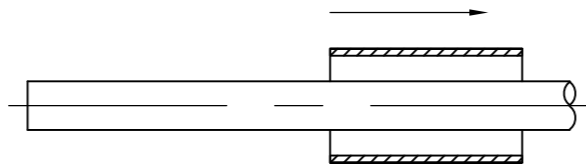
			MAIN BODY (ITEM 1,3, & 4)	CONTACT (ITEM 2)	CRIMP FERRULES (ITEM 5)	
						

ASSEMBLY INSTRUCTION

CABLES: RG59B/U, 62A/U, 140/U, 210/U, URM90 KX6A, KX25, KX52, KX53

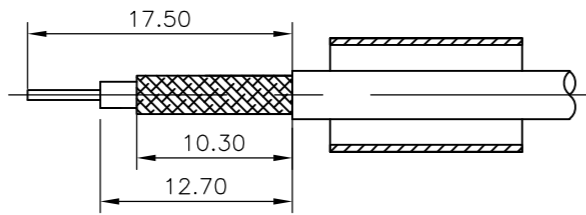
STEP 1

1. SLIDE METAL CRIMP FERRULE OVER CABLE



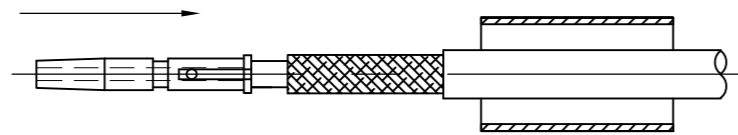
STEP 2

1. STRIP CABLE TO DIMENSIONS AS SHOWN

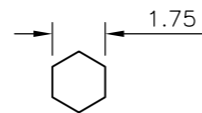


STEP 3

1. FIT CONTACT OVER CENTRE CONDUCTOR TO BUTT AGAINST DIELECTRIC.
2. CRIMP USING TOOL AS NOTES ON PAGE 1.

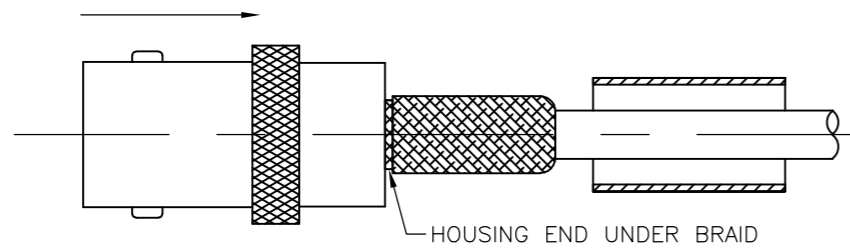


RECOMMENDED CENTRE CONTACT
A/F HEX



STEP 4

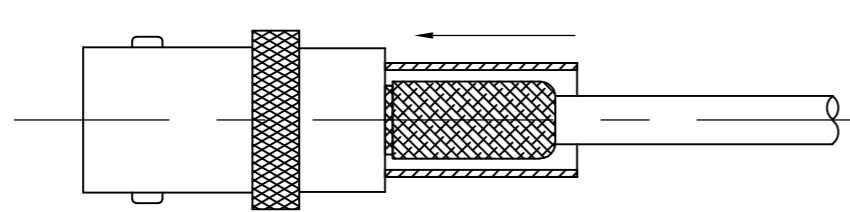
1. PRESS SUB-ASSEMBLY INTO BODY, UNTIL CONTACT IS FULLY LOCATED BY AN AUDIBLE CLICK.
2. ENSURE THAT KNURLED HOUSING INSERTS BETWEEN THE DIELECTRIC AND CABLE BRAID.



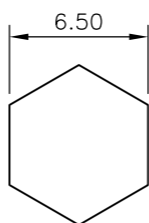
HOUSING END UNDER BRAID

STEP 5


1. SLIDE CRIMP FERRULE ALONG THE CABLE UNTIL IT BUTTS AGAINST THE HOUSING BODY.
2. CRIMP USING TOOL AS NOTED ON PAGE 1.
3. CRIMP DIMENSION AS SHOWN.



RECOMMENDED CRIMP SLEEVE
A/F HEX



THIS DRAWING IS A CONTROLLED DOCUMENT.

DWN	RITA ZUO	11 Mar 09	 TE Connectivity
CHK	ANSON MA	11 Mar 09	
APVD	BOB ZHAO	11 Mar 09	
PRODUCT SPEC	108-112000		
APPLICATION SPEC	SHEET 2		NAME BNC STRAIGHT JACK CRIMP 75 OHM RG59B/U, 62A/U, 140/U, 210/U, URM90 KX6A, KX25, KX52, KX53
MATERIAL	SEE TABLE	FINISH	SEE TABLE
WEIGHT	-	SCALE	NTS
CUSTOMER DRAWING		SHEET	2 2
		REV	D1

1634514

A

X-ON Electronics

Largest Supplier of Electrical and Electronic Components

Click to view similar products for [RF Connectors / Coaxial Connectors](#) category:

Click to view products by [TE Connectivity](#) manufacturer:

Other Similar products are found below :

[8915-1511-000](#) [89674-0827](#) [6001-7071-019](#) [6002-7051-003](#) [6002-7551-202](#) [6059674-1](#) [619550-1](#) [630059-000](#) [M39030/3-01N](#) [6500-7071-046](#) [6769](#) [CX050L2AQ](#) [7002-1541-010](#) [7002-1542-011](#) [7004-1512-000](#) [7009-1511-004](#) [7010-1511-000](#) [7029-1511-060](#) [7101-1541-010](#) [7101-1571-002](#) [7145-1521-002](#) [7203-1571-003](#) [7209-1511-011](#) [7210-1511-015](#) [7210-1511-019](#) [73137-5015](#) [73216-2241](#) [73404-2300](#) [7405-1521-005](#) [7405-1521-802](#) [8527](#) [8547](#) [FS11V](#) [877931](#) [9049-9513-000](#) [9074-9513-000](#) [9101-9573-002](#) [910A205F](#) [9130-9573-002](#) [PL11SC-026](#) [PL375-33](#) [PL40-5](#) [PL74C-221](#) [PL75MC-217](#) [PL803-7](#) [980-8666-005](#) [1200690078](#) [1-201144-1](#) [R107003010W](#) [R110A172100](#)