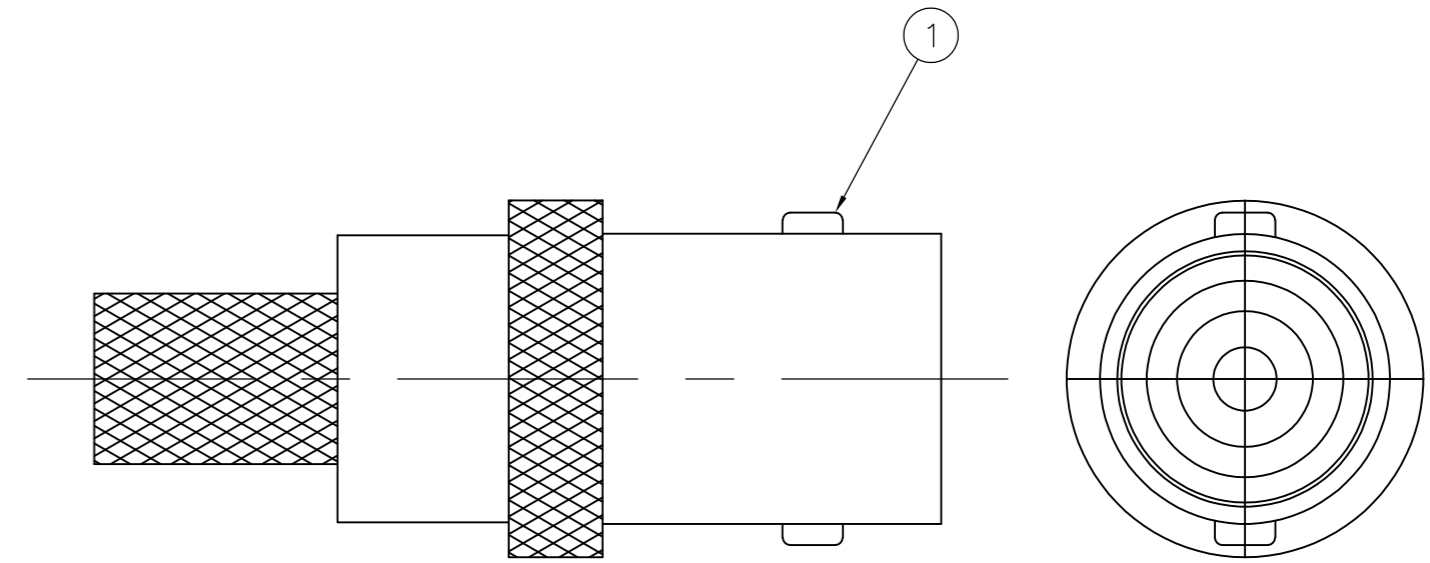
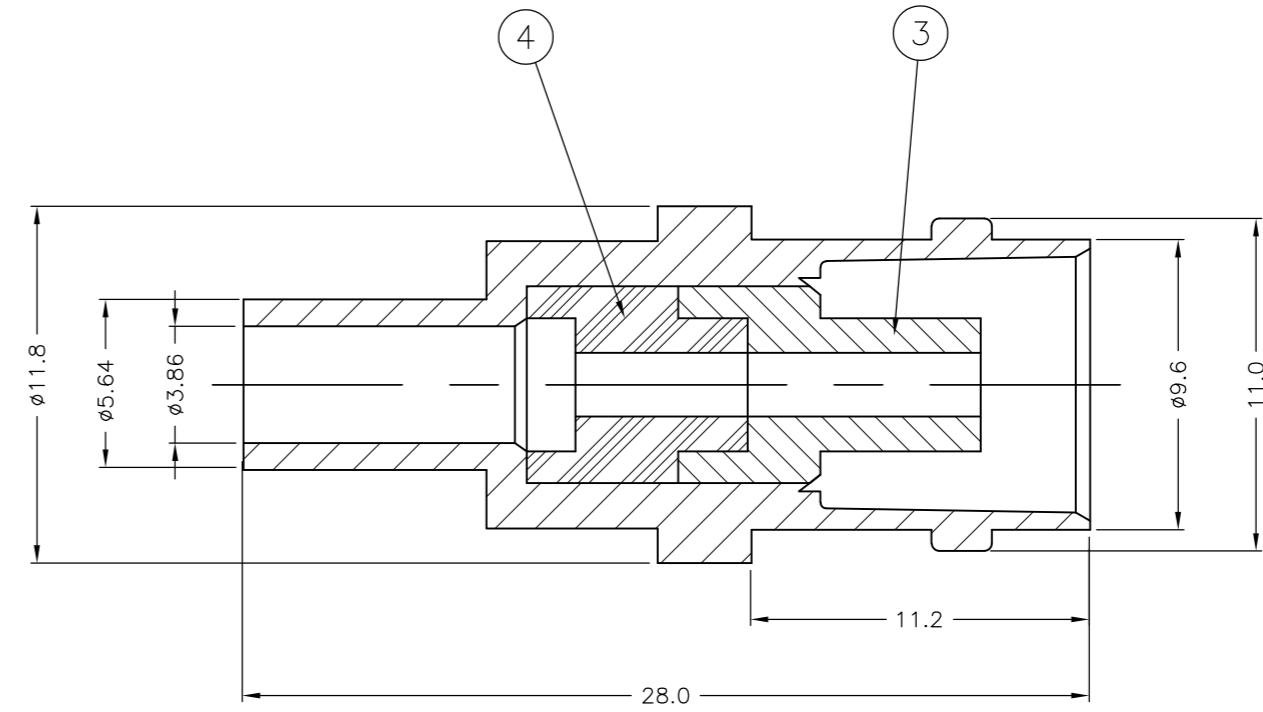
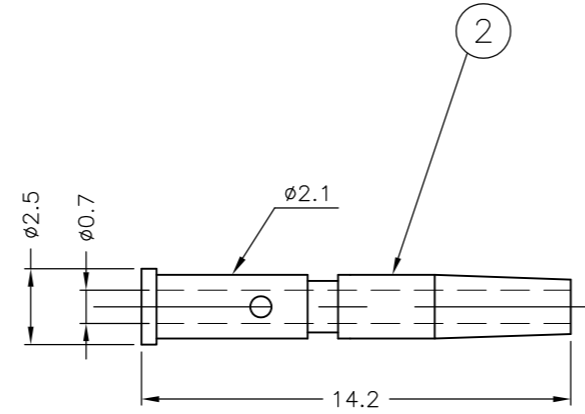
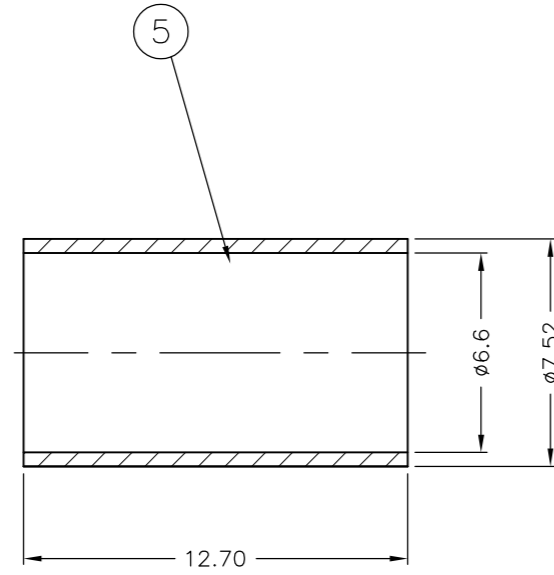


THIS DRAWING IS UNPUBLISHED. RELEASED FOR PUBLICATION DEC , 2004.  
 © COPYRIGHT 2004 By - ALL RIGHTS RESERVED. TODOS LOS DERECHOS RESERVADOS.

LOC	DIST	REVISIONS			
P	LTR	DESCRIPTION	DATE	DWN	APVD
E	B	D1	ECO-15-009168	24JUN2015	RZ RS

NOTES

- 1 SINGLE PACK IN ACCORDANCE WITH AMP SPEC 107-3275
- 2 100 BODIES IN A HEAT SEALED BAG; 100 CONTACTS IN SEPARATE HEAT SEALED BAG; 100 CRIMP SLEEVES IN A SEPARATE HEAT SEALED BAG. ALL THREE BAGS WOULD BE PLACED IN A LABELED UNIT CONTAINER TO MAKE A PACKAGE OF 100 COMPLETE KITS.
- 3 Au PLATING OVER Ni PLATING OVER Cu PLATING
- 4 Ni PLATING OVER Cu PLATING
- 5. HAND TOOL: 9-1478240-0
- 6. DIE SET: 9-1478242-0
- 7. FOR TECHNICAL DATA REFER TO YOUR LOCAL TE CONNECTIVITY SALES OFFICE
- 8. ALL DIMENSIONS ARE NOMINAL FOR REFERENCE ONLY UNLESS OTHERWISE STATED



QTY	QTY PER ASSY	MATERIAL	DESCRIPTION	ITEM
1	1	BRASS	CRIMP SLEEVE	5
1	1	POLYMETHYLPENTENE	INSULATOR	4
1	1	POLYMETHYLPENTENE	INSULATOR	3
1	1	PHOSPHOR BRONZE	CONTACT	2
1	1	ZINC ALLOY	BODY	1
5	15	MATERIAL	DESCRIPTION	ITEM

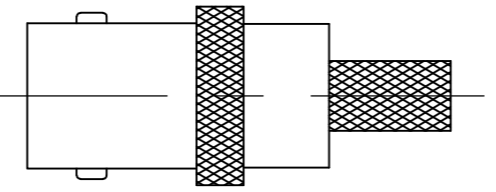
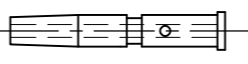
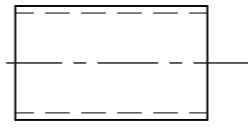
THIS DRAWING IS A CONTROLLED DOCUMENT.		DWN RITA ZUO 11 Mar 09		
DIMENSIONS: MM		CHK ANSON MA 11 Mar 09		
TOLERANCES UNLESS OTHERWISE SPECIFIED:		APVD BOB ZHAO 11 Mar 09	NAME	
0 PLC ± 0.5		PRODUCT SPEC	BNC STRAIGHT JACK CRIMP 75 OHM	
1 PLC ± 0.3		APPLICATION SPEC	RG59B/U, 62A/U, 140/U, 210/U, URM90	
2 PLC ± 0.2		SEE SHEET 2	SIZE A2	CAGE CODE 00779
3 PLC ± -		WEIGHT -	DRAWING NO C=1634514	RESTRICTED TO -
4 PLC ± -		CUSTOMER DRAWING	SCALE NTS	SHEET 1 2
ANGLES ± -			REV D1	
FINISH SEE TABLE				

1634514

THIS DRAWING IS UNPUBLISHED. RELEASED FOR PUBLICATION DEC , 2004.  
 © COPYRIGHT 2004 By - ALL RIGHTS RESERVED. TODOS LOS DERECHOS RESERVADOS.

LOC	DIST	REVISIONS					
E	B	P	LTR	DESCRIPTION	DATE	DWN	APVD
		-		SEE SHEET 1	-	-	-

COMPONENTS

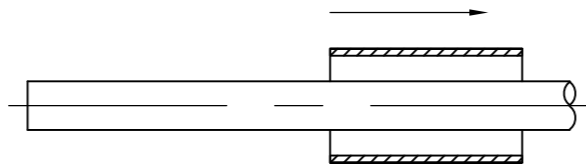
			MAIN BODY (ITEM 1,3, & 4)	CONTACT (ITEM 2)	CRIMP FERRULES (ITEM 5)	
						

ASSEMBLY INSTRUCTION

CABLES: RG59B/U, 62A/U, 140/U, 210/U, URM90 KX6A, KX25, KX52, KX53

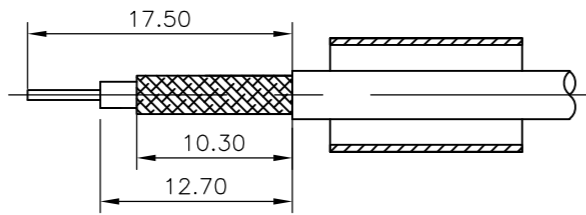
STEP 1

1. SLIDE METAL CRIMP FERRULE OVER CABLE



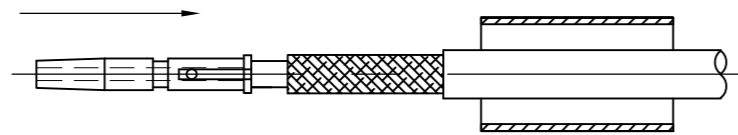
STEP 2

1. STRIP CABLE TO DIMENSIONS AS SHOWN

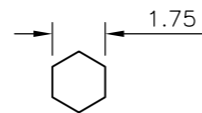


STEP 3

1. FIT CONTACT OVER CENTRE CONDUCTOR TO BUTT AGAINST DIELECTRIC.  
2. CRIMP USING TOOL AS NOTES ON PAGE 1.

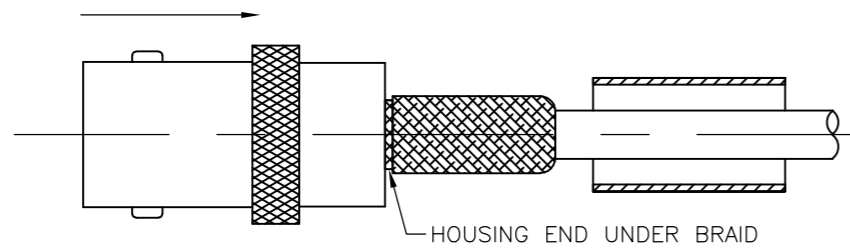


RECOMMENDED CENTRE CONTACT  
A/F HEX



STEP 4

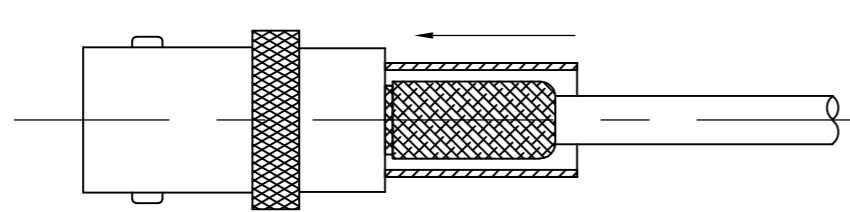
1. PRESS SUB-ASSEMBLY INTO BODY, UNTIL CONTACT IS FULLY LOCATED BY AN AUDIBLE CLICK.  
2. ENSURE THAT KNURLED HOUSING INSERTS BETWEEN THE DIELECTRIC AND CABLE BRAID.



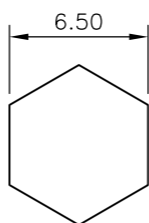
HOUSING END UNDER BRAID


STEP 5

1. SLIDE CRIMP FERRULE ALONG THE CABLE UNTIL IT BUTTS AGAINST THE HOUSING BODY.  
2. CRIMP USING TOOL AS NOTED ON PAGE 1.  
3. CRIMP DIMENSION AS SHOWN.



RECOMMENDED CRIMP SLEEVE  
A/F HEX



THIS DRAWING IS A CONTROLLED DOCUMENT.		DWN RITA ZUO 11 Mar 09		
		CHK ANSON MA 11 Mar 09		
		APVD BOB ZHAO 11 Mar 09	NAME	
		PRODUCT SPEC	BNC STRAIGHT JACK CRIMP 75 OHM	
		APPLICATION SPEC	RG59B/U, 62A/U, 140/U, 210/U, URM90	
		SHEET 2	KX6A, KX25, KX52, KX53	
DIMENSIONS: MM		TOLERANCES UNLESS OTHERWISE SPECIFIED		SIZE
0 PLC ±		1 PLC ±		CAGE CODE
1 PLC ±		2 PLC ±		DRAWING NO
2 PLC ±		3 PLC ±		RESTRICTED TO
3 PLC ±		4 PLC ±		SCALE
4 PLC ±		ANGLES ±		SHEET
FINISH		SEE TABLE		REV
MATERIAL		SEE TABLE		D1
WEIGHT		-		
CUSTOMER DRAWING		A2 00779 C=1634514		

1634514

## X-ON Electronics

Largest Supplier of Electrical and Electronic Components

*Click to view similar products for [RF Connectors / Coaxial Connectors](#) category:*

*Click to view products by [TE Connectivity](#) manufacturer:*

Other Similar products are found below :

[8915-1511-000](#) [89674-0827](#) [6001-7071-019](#) [6002-7051-003](#) [6002-7551-202](#) [6059674-1](#) [619550-1](#) [630059-000](#) [M39030/3-01N](#) [6500-7071-046](#) [6769](#) [CX050L2AQ](#) [7002-1541-010](#) [7002-1542-011](#) [7004-1512-000](#) [7009-1511-004](#) [7010-1511-000](#) [7029-1511-060](#) [7101-1541-010](#) [7101-1571-002](#) [7105-1521-002](#) [7145-1521-002](#) [7203-1571-003](#) [7209-1511-011](#) [7210-1511-015](#) [7210-1511-019](#) [73137-5015](#) [73216-2241](#) [73404-2300](#) [7405-1521-005](#) [7405-1521-802](#) [8527](#) [8547](#) [FS11V](#) [877931](#) [9049-9513-000](#) [9074-9513-000](#) [9101-9573-002](#) [910A205F](#) [9130-9573-002](#) [PL11SC-026](#) [PL375-33](#) [PL40-5](#) [PL74C-221](#) [PL75MC-217](#) [PL803-7](#) [1200690078](#) [1-201144-1](#) [R107003010W](#) [R110A172100](#)