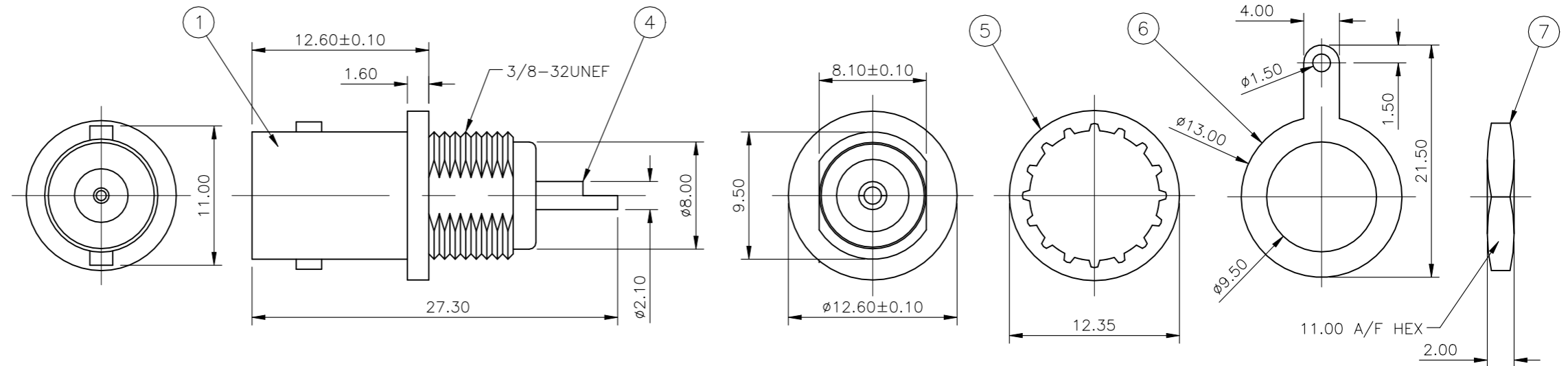
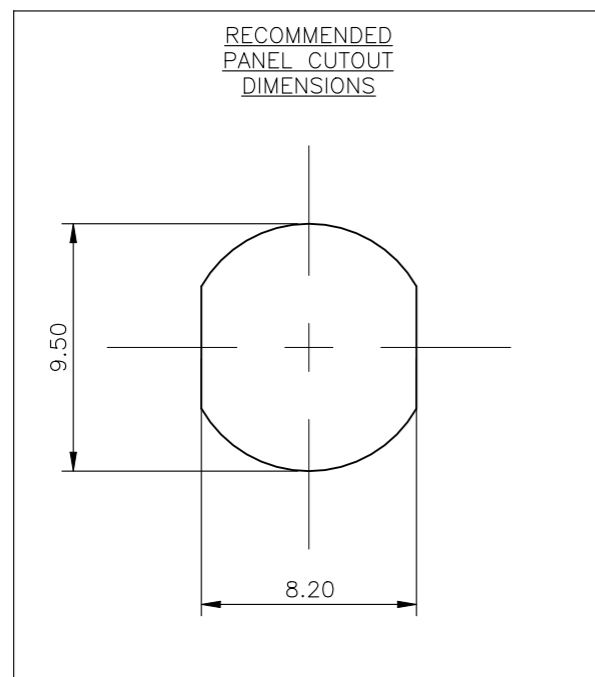
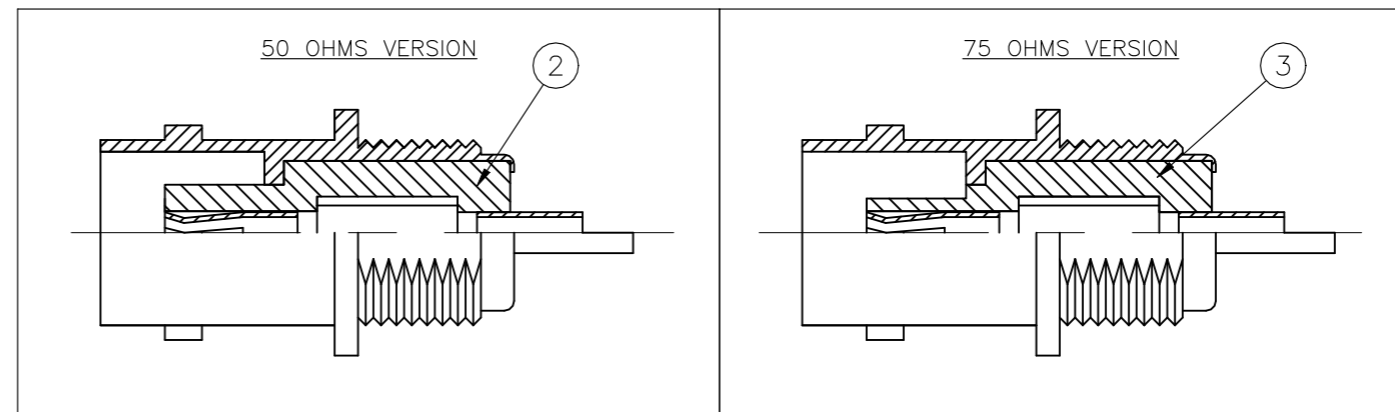


P	LTR	DESCRIPTION	DATE	DWN	APVD
	C1	REVISED PER ECN-21-105640	09JUN2021	RZ	WK



NOTES

- 1 100 TRAY PACK IN ACCORDANCE WITH AMP SPEC 107-3275
- 2 SINGLE PACK IN ACCORDANCE WITH AMP SPEC 107-3275
- 3 Au PLATING OVER Ni PLATING OVER Cu PLATING
- 4 Ni PLATING OVER Cu PLATING
- 5. FOR TECHNICAL DATA REFER TO YOUR LOCAL TE CONNECTIVITY SALES OFFICE
- 6. ALL DIMENSIONS ARE NOMINAL FOR REFERENCE ONLY UNLESS OTHERWISE STATED



				Obsolete	Obsolete	Obsolete					
				1	1	1	1	BRASS	△	HEX NUT	7
				1	1	1	1	STEEL	△	SOLDER TAG	6
				1	1	1	1	STEEL	△	LOCK WASHER	5
				1	1	1	1	PHOS BRONZE	△	CONTACT	4
				1	1	-	-	POLYMETHYLPENTENE		INSULATOR	3
				-	-	1	1	POLYMETHYLPENTENE		INSULATOR	2
				1	1	-	-	ZINC ALLOY	△	BODY	1
				5--3	5--2	5--1	5--0	MATERIAL		DESCRIPTION	ITEM
				△	△	△	△	QUANTITY PER ASSY			
				PARTS LIST							

THIS DRAWING IS A CONTROLLED DOCUMENT.		DWN RITA ZUO 14 Feb 09	TE Connectivity BNC BULKHEAD SOCKET FRONT MOUNT WITH SOLDER TAG			
DIMENSIONS: mm		CHK ANSON MA 14 Feb 09				
TOLERANCES UNLESS OTHERWISE SPECIFIED:		APVD BOB ZHAO 14 Feb 09				
0 PLC ± 0.5 1 PLC ± 0.3 2 PLC ± 0.2 3 PLC ± - 4 PLC ± - ANGLES ± -		NAME				
MATERIAL SEE TABLE		FINISH -	PRODUCT SPEC 108-112000 APPLICATION SPEC -			
		WEIGHT 0.000000	SIZE A3	CAGE CODE 00779	DRAWING NO C-1634523	RESTRICTED TO -
CUSTOMER DRAWING			SCALE NTS	SHEET 1 OF 1	REV C1	

X-ON Electronics

Largest Supplier of Electrical and Electronic Components

Click to view similar products for [RF Connectors / Coaxial Connectors](#) category:

Click to view products by [TE Connectivity](#) manufacturer:

Other Similar products are found below :

[8915-1511-000](#) [89674-0827](#) [6001-7071-019](#) [6002-7051-003](#) [6002-7551-202](#) [6059674-1](#) [619550-1](#) [630059-000](#) [M39030/3-01N](#) [6500-7071-046](#) [6769](#) [CX050L2AQ](#) [7002-1541-010](#) [7002-1542-011](#) [7004-1512-000](#) [7009-1511-004](#) [7010-1511-000](#) [7029-1511-060](#) [7101-1541-010](#) [7101-1571-002](#) [7105-1521-002](#) [7145-1521-002](#) [7203-1571-003](#) [7209-1511-011](#) [7210-1511-015](#) [7210-1511-019](#) [73137-5015](#) [73216-2241](#) [73404-2300](#) [7405-1521-005](#) [7405-1521-802](#) [8527](#) [8547](#) [FS11V](#) [877931](#) [9049-9513-000](#) [9074-9513-000](#) [9101-9573-002](#) [910A205F](#) [9130-9573-002](#) [PL11SC-026](#) [PL375-33](#) [PL40-5](#) [PL74C-221](#) [PL75MC-217](#) [PL803-7](#) [1200690078](#) [1-201144-1](#) [R107003010W](#) [R110A172100](#)