

THIS DRAWING IS UNPUBLISHED.

RELEASED FOR PUBLICATION MAR , 2006.

© COPYRIGHT 2006 By --

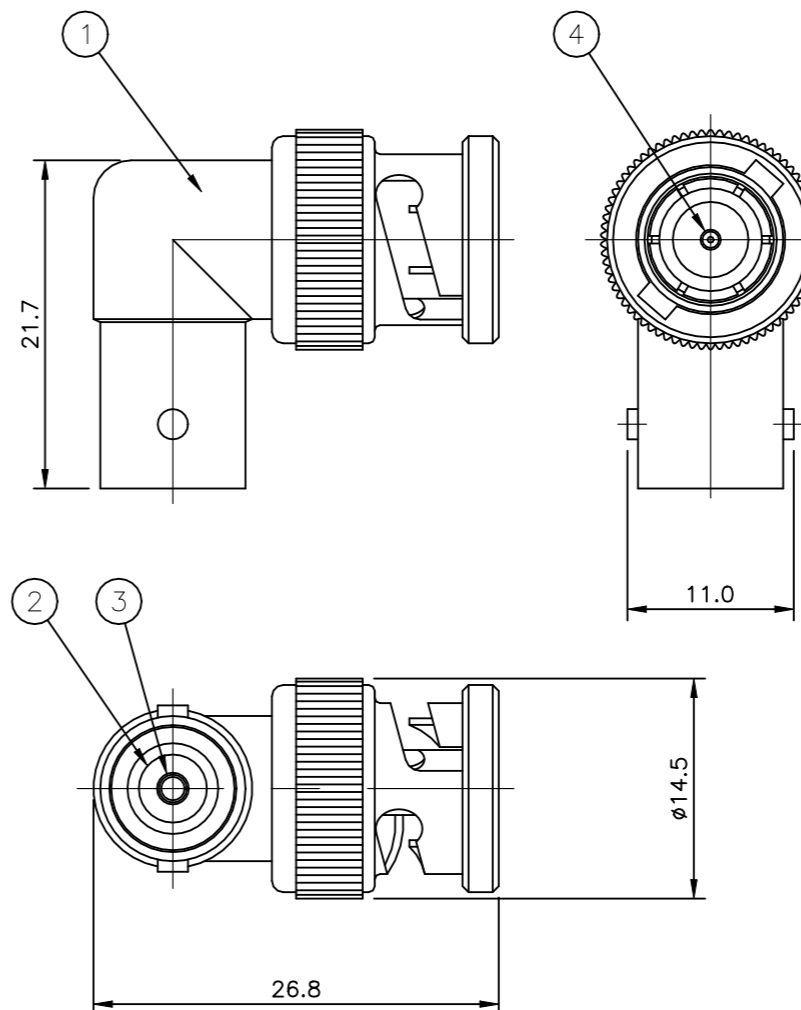
ALL RIGHTS RESERVED.

REVISIONS

P	LTR	DESCRIPTION	DATE	DWN	APVD
	C2	REVISED PER ECR-21-112844	07SEP2021	RZ	WK

NOTES

- 1 100 TRAY PACK IN ACCORDANCE WITH AMP SPEC 107-3275
- 2 SINGLE PACK IN ACCORDANCE WITH AMP SPEC 107-3275
- 3 Au PLATING
- 4 Ni PLATING
- 5. FOR TECHNICAL DATA REFER TO YOUR LOCAL TE CONNECTIVITY SALES OFFICE
- 6. ALL DIMENSIONS ARE NOMINAL FOR REFERENCE ONLY UNLESS OTHERWISE STATED
- 7. DURABILITY: 50 CYCLES



		Ossolete									
		1	1	BRASS	3	MALE CONTACT		4			
		1	1	PHOS BRONZE	3	FEMALE CONTACT		3			
		1	1	PE-606		INSULATOR		2			
		1	1	ZINC ALLOY	4	BODY		1			
		5--1	5--0	MATERIAL		DESCRIPTION					
QUANTITY PER ASSY										PARTS LIST	

THIS DRAWING IS A CONTROLLED DOCUMENT.		DWN RITA ZUO 10 Mar 09	TE Connectivity BNC ELBOW ADAPTOR PLUG - JACK 50 OHMS		
DIMENSIONS: mm		CHK ANSON MA 10 Mar 09			
		APVD BOB ZHAO 10 Mar 09			
TOLERANCES UNLESS OTHERWISE SPECIFIED:		PRODUCT SPEC 108-112000			
MATERIAL SEE TABLE		FINISH -	APPLICATION SPEC -	NAME	RESTRICTED TO
		WEIGHT 0.000000	SIZE A3	CAGE CODE 00779	DRAWING NO C-1634526
CUSTOMER DRAWING			SCALE NTS	SHEET 1 OF 1	REV C2

## X-ON Electronics

Largest Supplier of Electrical and Electronic Components

*Click to view similar products for [RF Adapters - In Series](#) category:*

*Click to view products by [TE Connectivity](#) manufacturer:*

Other Similar products are found below :

[5916-1103-603](#) [5918-1103-000](#) [5919-1503-000](#) [651A505](#) [82-5552](#) [9030-9523-502](#) [PN2C](#) [A0407000](#) [R114703000W](#) [R125704000](#)  
[R125771001](#) [R141710000W](#) [R141723161](#) [R141730000](#) [R143730700](#) [R143770000](#) [R161703000W](#) [R161753000W](#) [R161791530W](#)  
[R201705000](#) [R222705200](#) [R222M40010W](#) [R316754000](#) [R405006000](#) [R443162000](#) [AD78TL](#) [HRM-513S](#) [1996352-2](#) [2157155-1](#) [252169-75](#)  
[AD158](#) [2101130-1](#) [252186](#) [R114704000W](#) [R114720000W](#) [R125705001](#) [R125705701](#) [R125771000](#) [R125771001W](#) [R125791501W](#)  
[R127704001](#) [R127.870.001](#) [R127872001](#) [R141717000](#) [R142710000](#) [R142723000](#) [R143703000](#) [R143704000](#) [R143705700](#) [R161715000W](#)