

THIS DRAWING IS UNPUBLISHED.

RELEASED FOR PUBLICATION MAR , 2006.

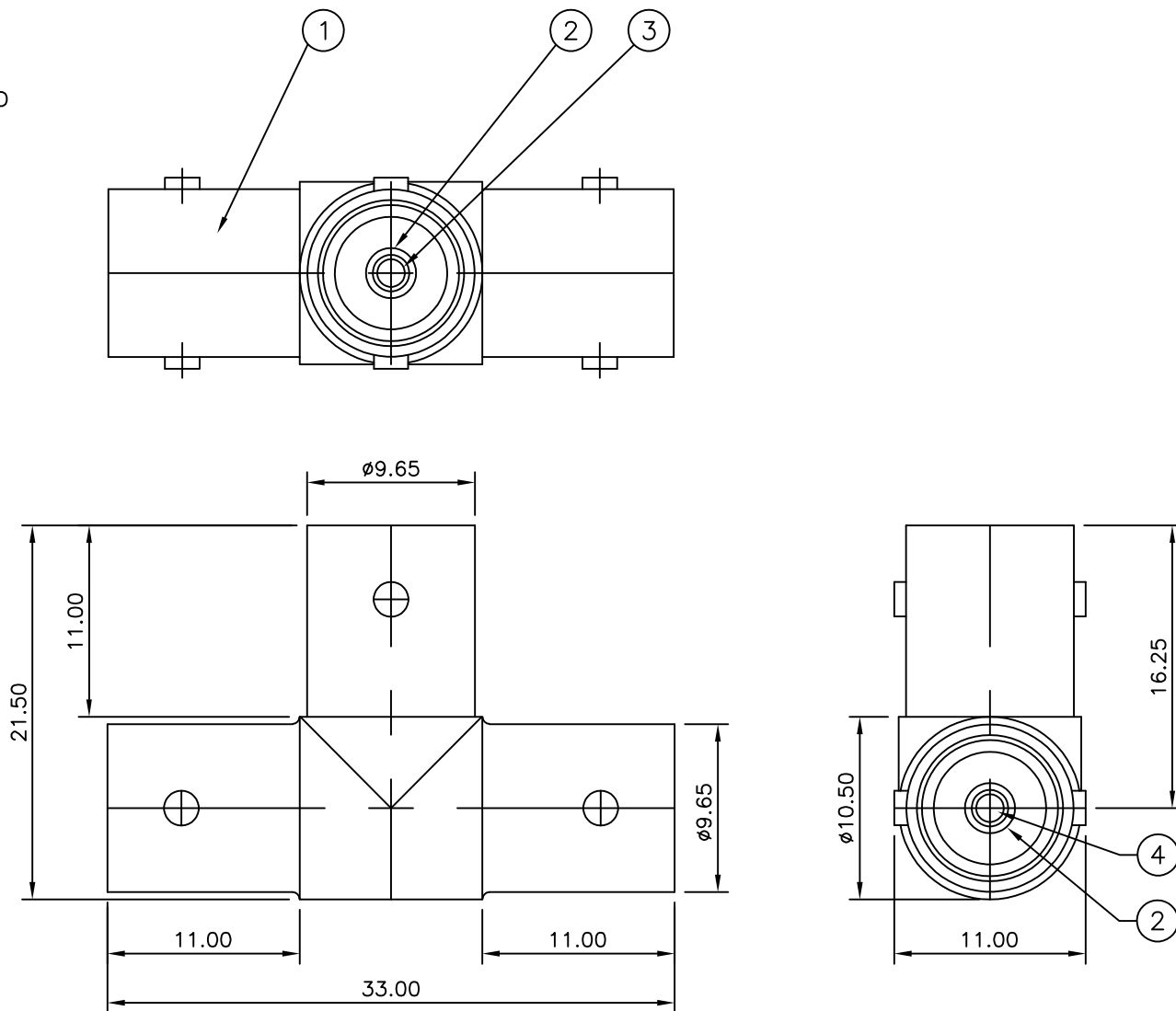
© COPYRIGHT 2006 By -

ALL RIGHTS RESERVED.

| LOC | DIST | REVISIONS | | | | | |
|-----|------|-----------|-----|---------------|---------|-------|--------|
| | | P | LTR | DESCRIPTION | DATE | DWN | APVD |
| E | B | | B | ECO-09-003420 | 19MAR09 | RITA | BOB |
| | | | C | ECO-12-010787 | 11JUN12 | TITAN | MARTIN |

NOTES

- 1 100 TRAY PACK IN ACCORDANCE WITH AMP SPEC 107-3275
- 2 SINGLE PACK IN ACCORDANCE WITH AMP SPEC 107-3275
- 3 Au PLATING
- 4 Ni PLATING
- 5. FOR TECHNICAL DATA REFER TO YOUR LOCAL TYCO ELECTRONICS SALES OFFICE
- 6. ALL DIMENSIONS ARE NOMINAL FOR REFERENCE ONLY UNLESS OTHERWISE STATED



| QTY | UNIT | DESCRIPTION | ITEM |
|-------------------|------|-----------------------------|-------------|
| 1 | 1 | PHOS BRONZE CONTACT 2 | 4 |
| 1 | 1 | PHOS BRONZE CONTACT 1 | 3 |
| 3 | 3 | POLYMETHYLPENTENE INSULATOR | 2 |
| 1 | 1 | ZINC ALLOY BODY | 1 |
| 5--1 | 5--0 | MATERIAL | DESCRIPTION |
| Obsolete | | | |
| QUANTITY PER ASSY | | PARTS LIST | |

| | | | | |
|--|--|---|---|--|
| THIS DRAWING IS A CONTROLLED DOCUMENT. | | DWN RITA ZUO 19MAR09 | STE TE Connectivity | |
| DIMENSIONS: mm | | CHK ANSON MA 19MAR09 | | |
| TOLERANCES UNLESS OTHERWISE SPECIFIED: | | APVD BOB ZHAO 19MAR09 | NAME BNC T - ADAPTOR JACK - JACK - JACK | |
| 0 PLC ± - | | PRODUCT SPEC 108-112000 | - | |
| 1 PLC ± - | | APPLICATION SPEC - | - | |
| 2 PLC ± - | | SIZE CAGE CODE DRAWING NO RESTRICTED TO | A3 00779 C-1634535 | |
| 3 PLC ± - | | WEIGHT - | SCALE NTS SHEET 1 OF 1 REV C | |
| 4 PLC ± - | | MATERIAL SEE TABLE FINISH - | | |
| ANGLES ± - | | CUSTOMER DRAWING | | |

X-ON Electronics

Largest Supplier of Electrical and Electronic Components

Click to view similar products for [RF Adapters - Tee category](#):

Click to view products by [TE Connectivity manufacturer](#):

Other Similar products are found below :

[R142782000](#) [R114780000W](#) [R142780000W](#) [R143780000](#) [R143782000](#) [344A505](#) [TN2](#) [443A505](#) [5207-1501-000](#) [R125780000](#) [BNC-TA-JJJ\(40\)](#) [R125780001](#) [034-1023](#) [ADP-BNCF-2BNCF](#) [73148-5003](#) [31-208-1051](#) [CT3312](#) [53S301-K00N5](#) [CT2411](#) [43_SMB-50-0-2/111_NE](#) [32K301-K00L5](#) [46_SMA-50-0-1/111_NE](#) [51S303-K00N5](#) [32S301-K00L5](#) [43_N-50-0-1/133_NE](#) [CPAD705](#) [BN153](#) [031-208-1051](#) [031-70036](#) [082-102](#) [112455](#) [112456](#) [112459](#) [112461](#) [112462](#) [112567](#) [112590](#) [122354](#) [122356](#) [132216](#) [132217](#) [142300](#) [172125](#) [172127](#) [172233](#) [31-208](#) [31-208-RFX](#) [31-2208](#) [31-8](#) [34-1023](#)