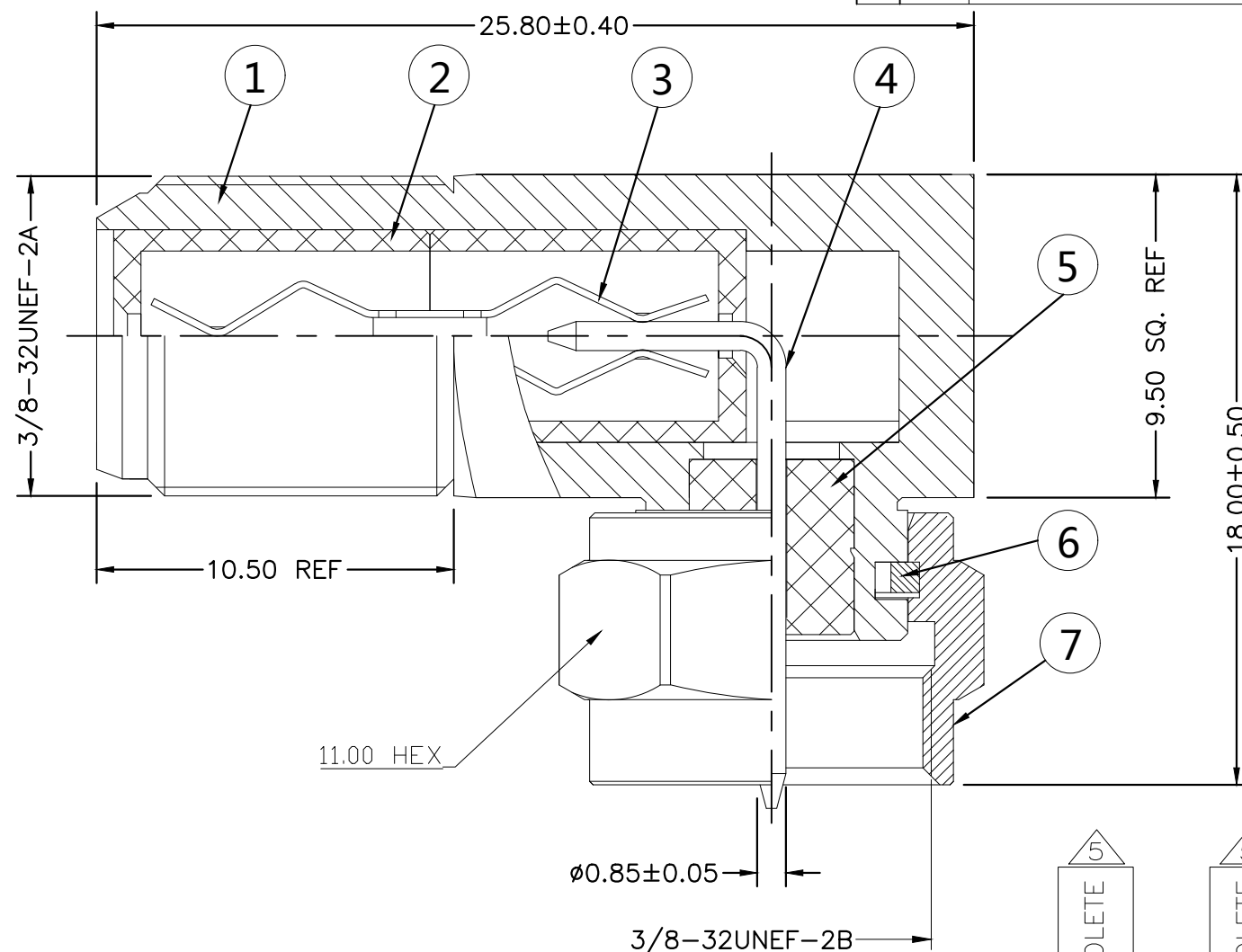


P	LTR	DESCRIPTION	DATE	DWN	APVD
	C1	REVISED PER ECR-20-014415	12OCT2020	RZ	RS

NOTES

- ① 100 TRAY PACK IN ACCORDANCE WITH AMP SPEC 107-3275
- ② SINGLE PACK IN ACCORDANCE WITH AMP SPEC 107-3275
- ③ 2.54μm Ni PLATING
- ④ 3.05μm TIN PLATING
- ⑤ OBSOLETE PARTS: OBSOLETE CIS STREAMLINING PER D.RENAUD/D.SINISI
- ⑥ PACKAGING TYPE:  
50 pcs/bag , 5 bags/box



QTY	QTY PER ASSY	MATERIAL	DESCRIPTION	ITEM
1	1	BRASS	NUT	7
1	1	BRONZE	RETAIN RING	6
1	1	DELTRIN	INSULATOR	5
1	1	BRASS	CONTACT	4
1	1	BRONZE	CONTACT	3
1	2	POLYPROPYLENE	INSULATOR	2
1	1	BRASS	BODY	1
5--2	5--1	5--0	MATERIAL	DESCRIPTION
⑥	②	①		

THIS DRAWING IS A CONTROLLED DOCUMENT.		DWN ANSON MA 17FEB09	<b>STE</b> TE Connectivity	
DIMENSIONS: mm		CHK RITA ZUO 17FEB09		
TOLERANCES UNLESS OTHERWISE SPECIFIED:		APVD BOB ZHAO 17FEB09	NAME F SERIES CONNECTOR ELBOW ADAPTOR JACK - PLUG	
0 PLC ± -		PRODUCT SPEC 108-112000	SIZE CAGE CODE DRAWING NO RESTRICTED TO	
1 PLC ± -		APPLICATION SPEC -	A3 00779 C-1634537	
2 PLC ± 0.2		WEIGHT 0.000000	SCALE NTS SHEET 1 OF 1 REV C1	
3 PLC ± -		CUSTOMER DRAWING		
4 PLC ± -				
ANGLES ± -				
FINISH -				

## X-ON Electronics

Largest Supplier of Electrical and Electronic Components

*Click to view similar products for [RF Adapters - In Series](#) category:*

*Click to view products by [TE Connectivity](#) manufacturer:*

Other Similar products are found below :

[5916-1103-603](#) [5918-1103-000](#) [5919-1503-000](#) [651A505](#) [82-5552](#) [9030-9523-502](#) [PN2C](#) [A0407000](#) [R114703000W](#) [R125704000](#)  
[R125771001](#) [R141710000W](#) [R141723161](#) [R141730000](#) [R143730700](#) [R143770000](#) [R161703000W](#) [R161753000W](#) [R161791530W](#)  
[R201705000](#) [R222705200](#) [R222M40010W](#) [R316754000](#) [R405006000](#) [R443162000](#) [AD78TL](#) [HRM-513S](#) [1996352-2](#) [2157155-1](#) [252169-75](#)  
[AD158](#) [2101130-1](#) [252186](#) [R114704000W](#) [R114720000W](#) [R125705001](#) [R125705701](#) [R125771000](#) [R125771001W](#) [R125791501W](#)  
[R127704001](#) [R127.870.001](#) [R127872001](#) [R141717000](#) [R142710000](#) [R142723000](#) [R143703000](#) [R143704000](#) [R143705700](#) [R161715000W](#)