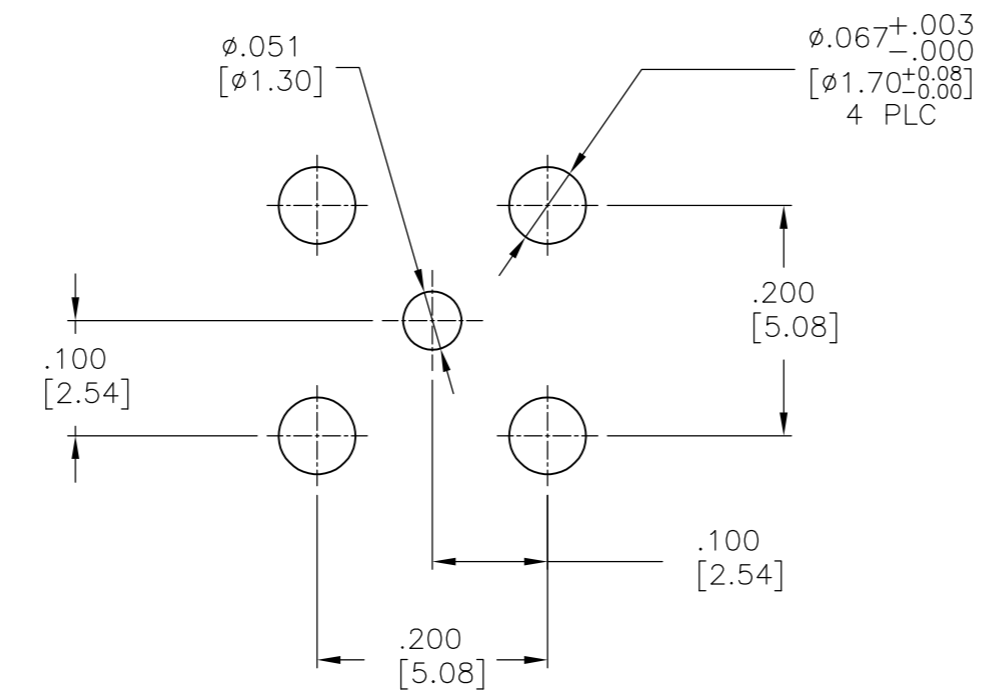
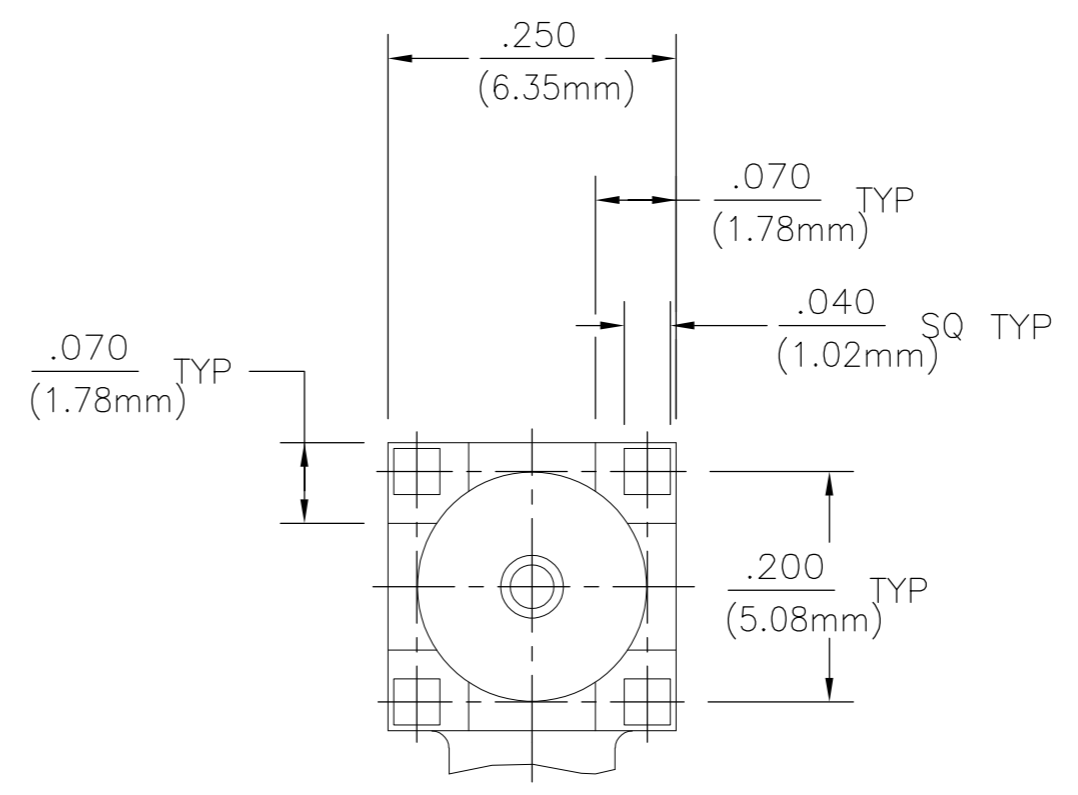
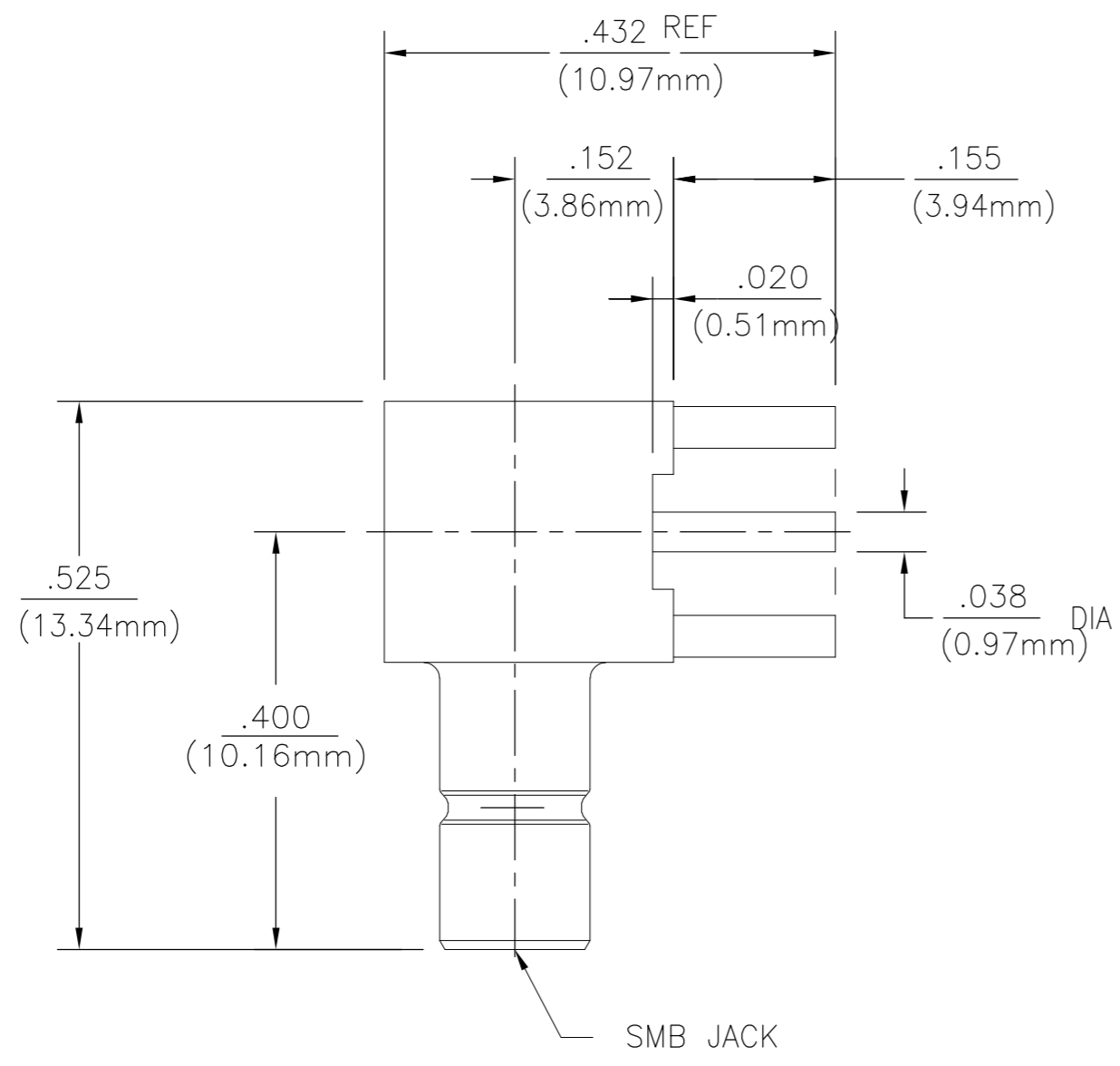


THIS DRAWING IS UNPUBLISHED. RELEASED FOR PUBLICATION  
 © COPYRIGHT BY TYCO ELECTRONICS CORPORATION. ALL INTERNATIONAL RIGHTS RESERVED.

| LOC | DIST | REVISIONS   |                       |           |       |
|-----|------|-------------|-----------------------|-----------|-------|
| P   | LTR  | DESCRIPTION | DATE                  | DWN       | APVD  |
| AJ  | 16   | D           | REV PER ECO 08-031174 | 30DEC2008 | DW JL |



RECOMMENDED PCB LAYOUT

|                               |          |                                   |             |
|-------------------------------|----------|-----------------------------------|-------------|
| HOUSING, CAP & CENTER CONTACT |          | BRASS PER ASTM-B-16, HALF HARD    | 1060464-1   |
| DIELECTRIC                    |          | PTFE FLUOROCARBON PER ASTM-D-1457 | PART NUMBER |
|                               |          | GOLD PLATE PER MIL-G-45204        |             |
|                               |          | N/A                               |             |
| COMPONENT                     | MATERIAL | FINISH                            |             |

|  |                  |                              |  |  |
|--|------------------|------------------------------|--|--|
| THIS DRAWING IS A CONTROLLED DOCUMENT. |                  | DWN J. HAVENER 25JUL2002     | Tyco Electronics Corporation<br>Harrisburg, PA 17105-3608      |  |
| DIMENSIONS: INCHES [mm]                |                  | CHK J. HAVENER 25JUL2002     | NAME SMB RIGHT ANGLE PRINTED CIRCUIT BOARD JACK (5164-5003-09) |  |
| TOLERANCES UNLESS OTHERWISE SPECIFIED: |                  | APVD K. WEIDNER 25JUL2002    | PRODUCT SPEC   |  |
| 0 PLC ± -                              |                  | APPLICATION SPEC             |  |  |
| 1 PLC ± -                              |                  | WEIGHT -                     |  |  |
| 2 PLC ± -                              |                  | SIZE A2                      |  |  |
| 3 PLC ± .005 [0.13]                    |                  | CAGE CODE 00779              |  |  |
| 4 PLC ± -                              |                  | DRAWING NO C=1060464-1       |  |  |
| ANGLES ± 1°                            |                  | RESTRICTED TO -              |  |  |
| MATERIAL SEE TABLE                     | FINISH SEE TABLE | SCALE 6:1 SHEET 1 of 1 REV D |  |  |
| CUSTOMER DRAWING                       |                  |                              |  |  |

1060464-1

## X-ON Electronics

Largest Supplier of Electrical and Electronic Components

*Click to view similar products for [RF Connectors / Coaxial Connectors](#) category:*

*Click to view products by [TE Connectivity](#) manufacturer:*

Other Similar products are found below :

[8915-1511-000](#) [89674-0827](#) [6001-7071-019](#) [6002-7051-003](#) [6002-7551-202](#) [6059674-1](#) [619550-1](#) [630059-000](#) [M39030/3-01N](#) [6500-7071-046](#) [6769](#) [CX050L2AQ](#) [7002-1541-010](#) [7002-1542-011](#) [7004-1512-000](#) [7009-1511-004](#) [7010-1511-000](#) [7029-1511-060](#) [7101-1541-010](#) [7101-1571-002](#) [7145-1521-002](#) [7203-1571-003](#) [7209-1511-011](#) [7210-1511-015](#) [7210-1511-019](#) [73137-5015](#) [73216-2241](#) [73404-2300](#) [7405-1521-005](#) [7405-1521-802](#) [8527](#) [8547](#) [FS11V](#) [877931](#) [9049-9513-000](#) [9074-9513-000](#) [9101-9573-002](#) [910A205F](#) [9130-9573-002](#) [PL11SC-026](#) [PL375-33](#) [PL40-5](#) [PL74C-221](#) [PL75MC-217](#) [PL803-7](#) [980-8666-005](#) [1200690078](#) [1-201144-1](#) [R107003010W](#) [R110A172100](#)