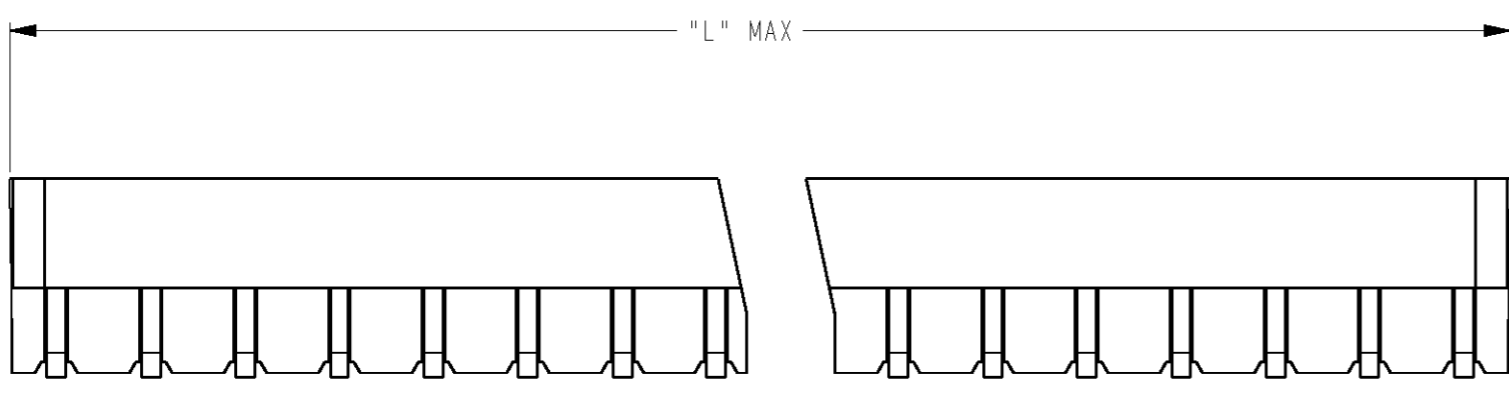
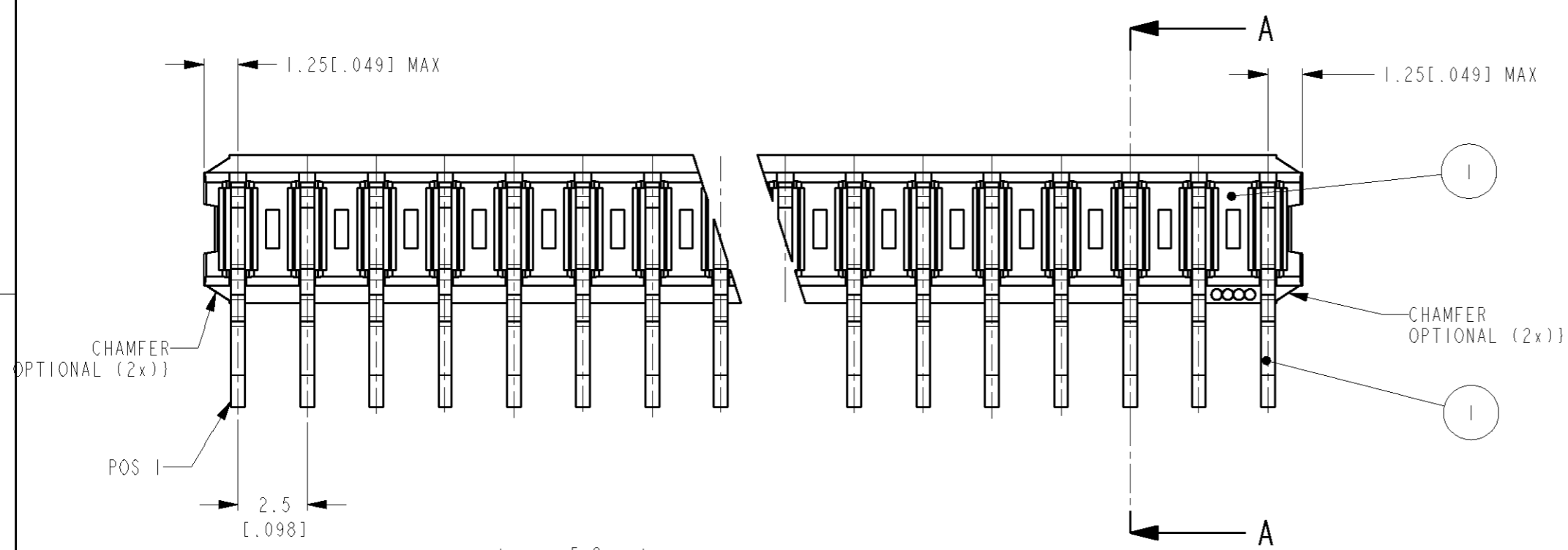


THIS DRAWING IS UNPUBLISHED. RELEASED FOR PUBLICATION
 © COPYRIGHT ALL RIGHTS RESERVED.

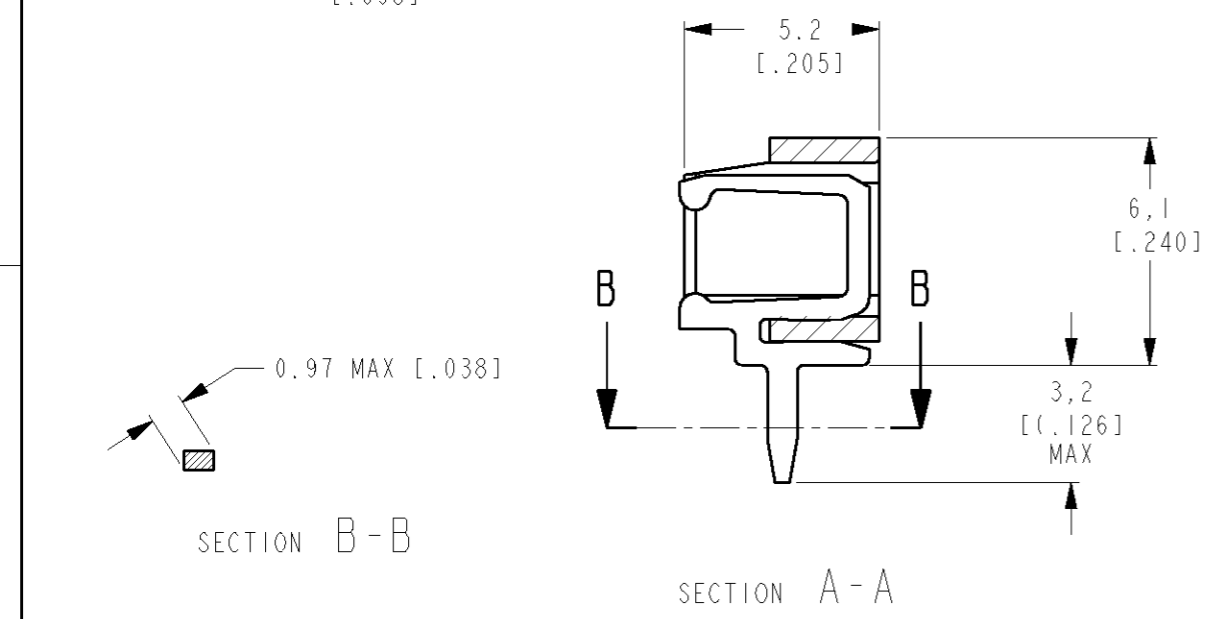
LOC	DIST	REVISIONS					
H	-	P	LTR	DESCRIPTION	DATE	DWN	APVD
		A2		REVISED PER ECO-11-005294	19APR11	RK	HMR



ORDER NUMBER	NUMBER OF POSITIONS	L MAX.	
		M.M.	INCHES
5164711-3	3	7,5	.296
5164711-4	4	10,0	.394
5164711-5	5	12,5	.493
5164711-6	6	15,0	.591
5164711-7	7	17,5	.690
5164711-8	8	20,0	.788
5164711-9	9	22,5	.886
1-5164711-0	10	25,0	.985
1-5164711-1	11	27,5	1.083
1-5164711-2	12	30,0	1.182
1-5164711-3	13	32,5	1.280
1-5164711-4	14	35,0	1.378
1-5164711-5	15	37,5	1.477
1-5164711-6	16	40,0	1.575
1-5164711-7	17	42,5	1.674
1-5164711-8	18	45,0	1.772
1-5164711-9	19	47,5	1.871
2-5164711-0	20	50,0	1.969



1
OBSOLETE



1 OBSOLETE PARTS: OBSOLETE CIS STREAMLINING PER D.RENAUD/D.SINISI

ITEM NO.	DESCRIPTION	MATERIAL	FINISH	QUANTITY
2	CONTACT	BRASS	TIN OVER NICKEL	SEE TABLE
1	HOUSING	PBT, 20% GF	GREEN	1

DIMENSIONS: mm 	TOLERANCES UNLESS OTHERWISE SPECIFIED: 0 PLC ± 1 PLC ± 2 PLC ± 3 PLC ± 4 PLC ± ANGLES ±	DWN 31 mar 05 M.Gosselink	TE Connectivity NAME 3-20 POS FEMALE BOARD TO BOARD CONNECTOR ASSEMBLY FOR MINI-MATCH INTERCONNECTION SYSTEM, PITCH 2.5 MM
		PRODUCT SPEC 108-19027 APPLICATION SPEC -	
MATERIAL -	FINISH -	SIZE A3 CAGE CODE 00779 DRAWING NO C-5164711	RESTRICTED TO -
		SCALE -	SHEET OF REV A2

X-ON Electronics

Largest Supplier of Electrical and Electronic Components

Click to view similar products for [Board to Board & Mezzanine Connectors](#) category:

Click to view products by [TE Connectivity](#) manufacturer:

Other Similar products are found below :

[589158040000018](#) [MDF7C-18P-2.54DSA\(55\)](#) [FCN-230C068-11](#) [FCN-268F012-G/BD](#) [FCN-268F036-G/BD](#) [FCN-268M012-G/0D](#) [FCN-268M024-G/1D](#) [FCN-723J004/1](#) [MIS-048-01-F-D-DP-K](#) [832-10-034-10-001000](#) [FX4C-80S-1.27DSA](#) [FCN-214Q030-G/0](#) [FCN-234P048-G/0](#) [FCN-235D050-G/C](#) [210-93-314-41-105000](#) [2-22603-0](#) [MDF7-40DP-2.54DSA\(55\)](#) [AXG720047](#) [5031084030](#) [MIT-114-03-F-D-K](#) [55323-1519](#) [DF33-2P-3.3DSA\(24\)](#) [YFT-20-05-H-03-SB-K](#) [503308-3040](#) [026-6203-PDB](#) [027-6203-PDB](#) [069159702701000](#) [10123981-102LF](#) [101A10019X](#) [55650-0588-C](#) [68682-310LF](#) [68684-306](#) [75140-7012](#) [87471-650](#) [194261-1](#) [FCN-268F024-G0D](#) [10124054-515LF](#) [68685-603](#) [8-1616154-3](#) [MIS-019-01-F-D](#) [FCN-268M024-G/3D](#) [20021832-06016C1LF](#) [KX15-20KLDL-E1000E](#) [MDF7-16DP-2.54DSA\(55\)](#) [AXE810124](#) [FCN-214J100-G/0](#) [FCN-230C068-E/S](#) [AXE812124](#) [AXE816124](#) [AXE720127](#)