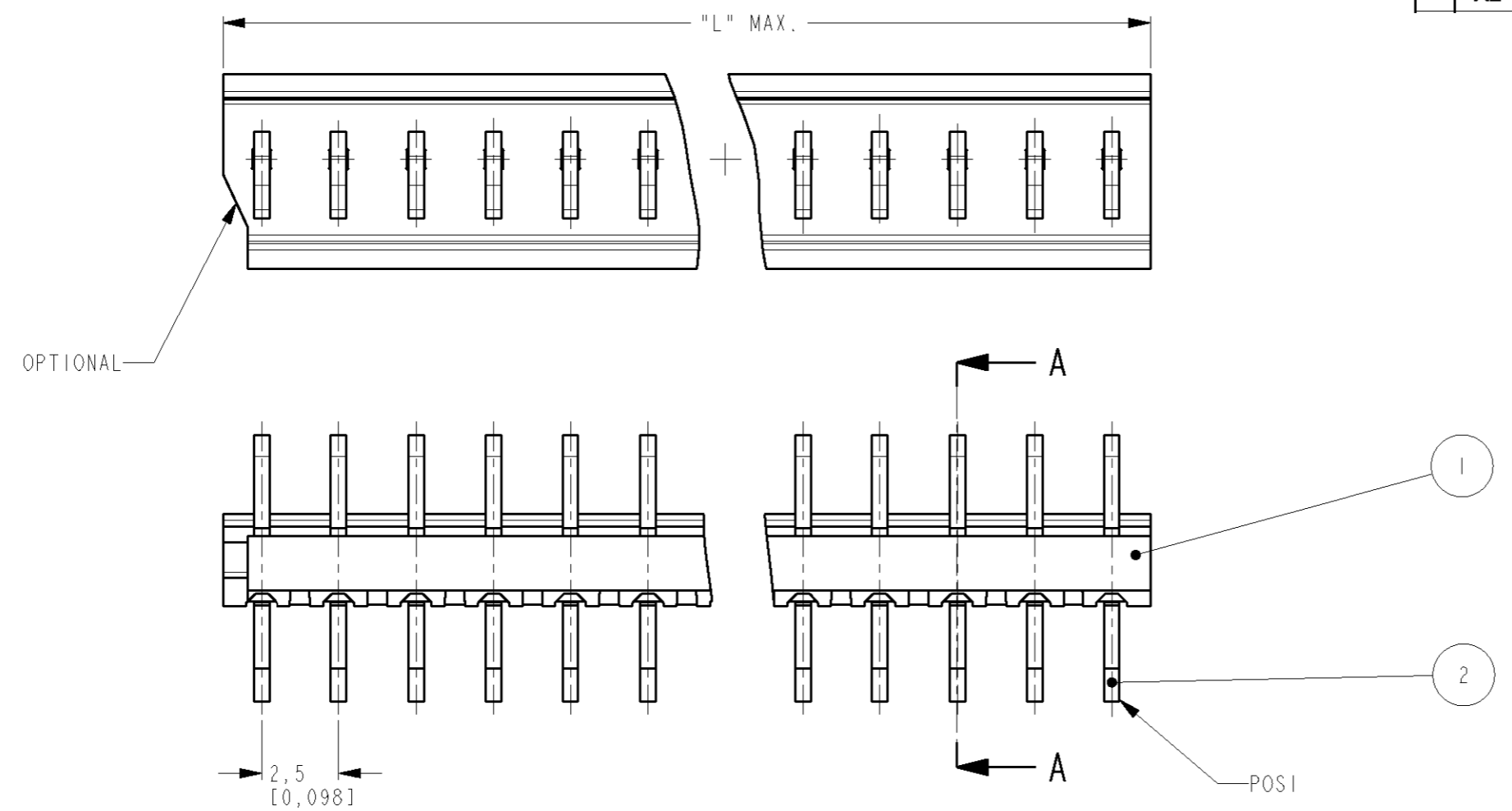


THIS DRAWING IS UNPUBLISHED. RELEASED FOR PUBLICATION  
 © COPYRIGHT ALL RIGHTS RESERVED.

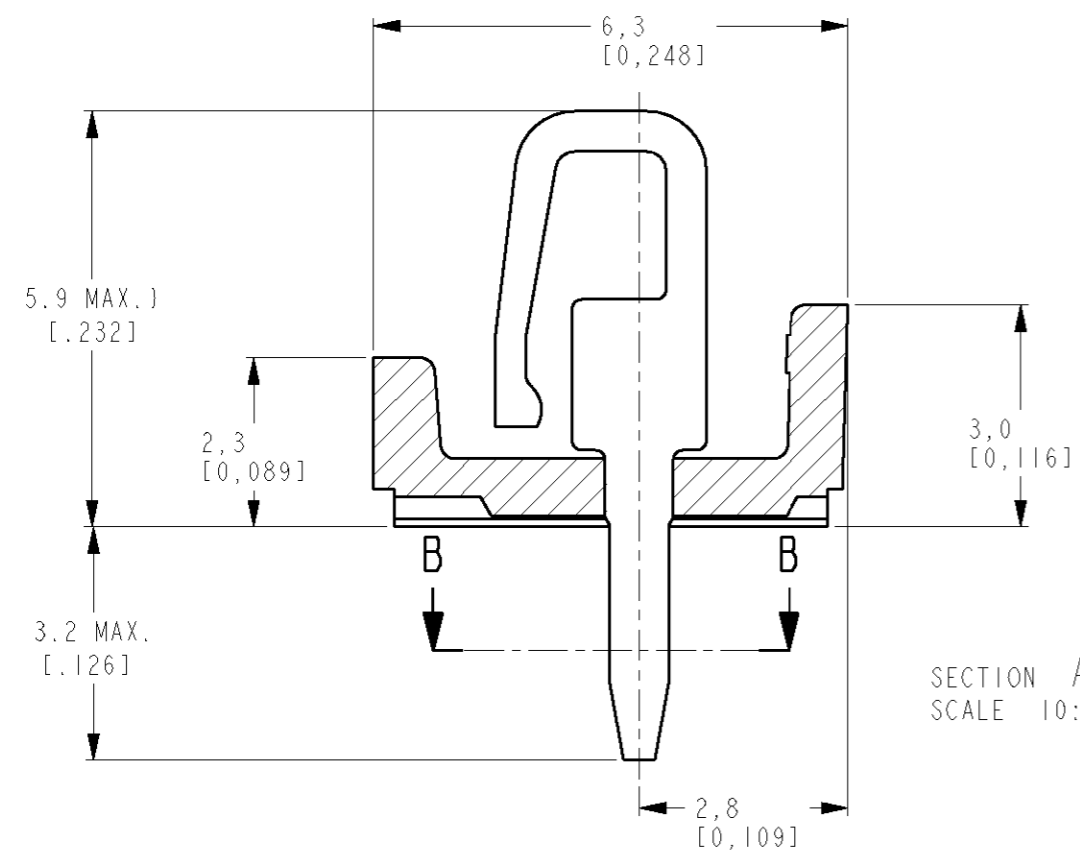
LOC	DIST	REVISIONS			
P	LTR	DESCRIPTION	DATE	DWN	APVD
H	-	A2 REVISED PER ECO-11-005294	19APR11	RK	HMR



PARTNUMBER	POS	"L" MAX	
		MM	INCH
0-5164713-3	3	7.5	.295
0-5164713-4	4	10.0	.394
0-5164713-5	5	12.5	.492
0-5164713-6	6	15.0	.591
0-5164713-7	7	17.5	.689
0-5164713-8	8	20.0	.787
0-5164713-9	9	22.5	.886
1-5164713-0	10	25.0	.984
1-5164713-1	11	27.5	1.083
1-5164713-2	12	30.0	1.181
1-5164713-3	13	32.5	1.280
1-5164713-4	14	35.0	1.378
1-5164713-5	15	37.5	1.476
1-5164713-6	16	40.0	1.575
1-5164713-7	17	42.5	1.673
<del>1-5164713-8</del>	18	45.0	1.772
<del>1-5164713-9</del>	19	47.5	1.870
2-5164713-0	20	50.0	1.969

**OBSOLETE**

**OBSOLETE PARTS: OBSOLETE CIS STREAMLINING PER D.RENAUD/D.SINISI**



DIMENSIONS:	TOLERANCES UNLESS OTHERWISE SPECIFIED:
mm (inch)	
0 PLC	±-
1 PLC	±-
2 PLC	±-
3 PLC	±-
4 PLC	±-
ANGLES	±-
MATERIAL	FINISH

2	CONTACT	BRASS	TIN OVER NICKEL		
1	HOUSING	PBT 20% GF, COLOR GREEN			
ITEM NO.	DESCRIPTION	MATERIAL	FINISH		
DWN	09 MAR 05	TE Connectivity <b>MINI-MATCH CONNECTOR ASS'Y</b> 3-20 POS 2.5 MM PITCH			
CHK	M. GOSSELINK				
APVD	F. IJLJENS				
PRODUCT SPEC	108-19027				
APPLICATION SPEC		SIZE	CAGE CODE	DRAWING NO	RESTRICTED TO
WEIGHT	-	A3	00779	C=5164713	-
CUSTOMER DRAWING		SCALE	SHEET	OF	REV
		5:1	1	1	A2

## X-ON Electronics

Largest Supplier of Electrical and Electronic Components

*Click to view similar products for [Board to Board & Mezzanine Connectors](#) category:*

*Click to view products by [TE Connectivity](#) manufacturer:*

Other Similar products are found below :

[589158040000018](#) [MDF7C-18P-2.54DSA\(55\)](#) [FCN-230C068-11](#) [FCN-268F012-G/BD](#) [FCN-268F036-G/BD](#) [FCN-268M012-G/0D](#) [FCN-268M024-G/1D](#) [FCN-723J004/1](#) [MIS-048-01-F-D-DP-K](#) [832-10-034-10-001000](#) [FX4C-80S-1.27DSA](#) [FCN-214Q030-G/0](#) [FCN-234P048-G/0](#) [FCN-235D050-G/C](#) [210-93-314-41-105000](#) [2-22603-0](#) [MDF7-40DP-2.54DSA\(55\)](#) [AXG720047](#) [5031084030](#) [MIT-114-03-F-D-K](#) [55323-1519](#) [DF33-2P-3.3DSA\(24\)](#) [YFT-20-05-H-03-SB-K](#) [503308-3040](#) [026-6203-PDB](#) [027-6203-PDB](#) [069159702701000](#) [10123981-102LF](#) [101A10019X](#) [55650-0588-C](#) [68682-310LF](#) [68684-306](#) [75140-7012](#) [87471-650](#) [194261-1](#) [FCN-268F024-G0D](#) [10124054-515LF](#) [68685-603](#) [8-1616154-3](#) [MIS-019-01-F-D](#) [FCN-268M024-G/3D](#) [20021832-06016C1LF](#) [KX15-20KLDL-E1000E](#) [MDF7-16DP-2.54DSA\(55\)](#) [AXE810124](#) [FCN-214J100-G/0](#) [FCN-230C068-E/S](#) [AXE812124](#) [AXE816124](#) [AXE720127](#)