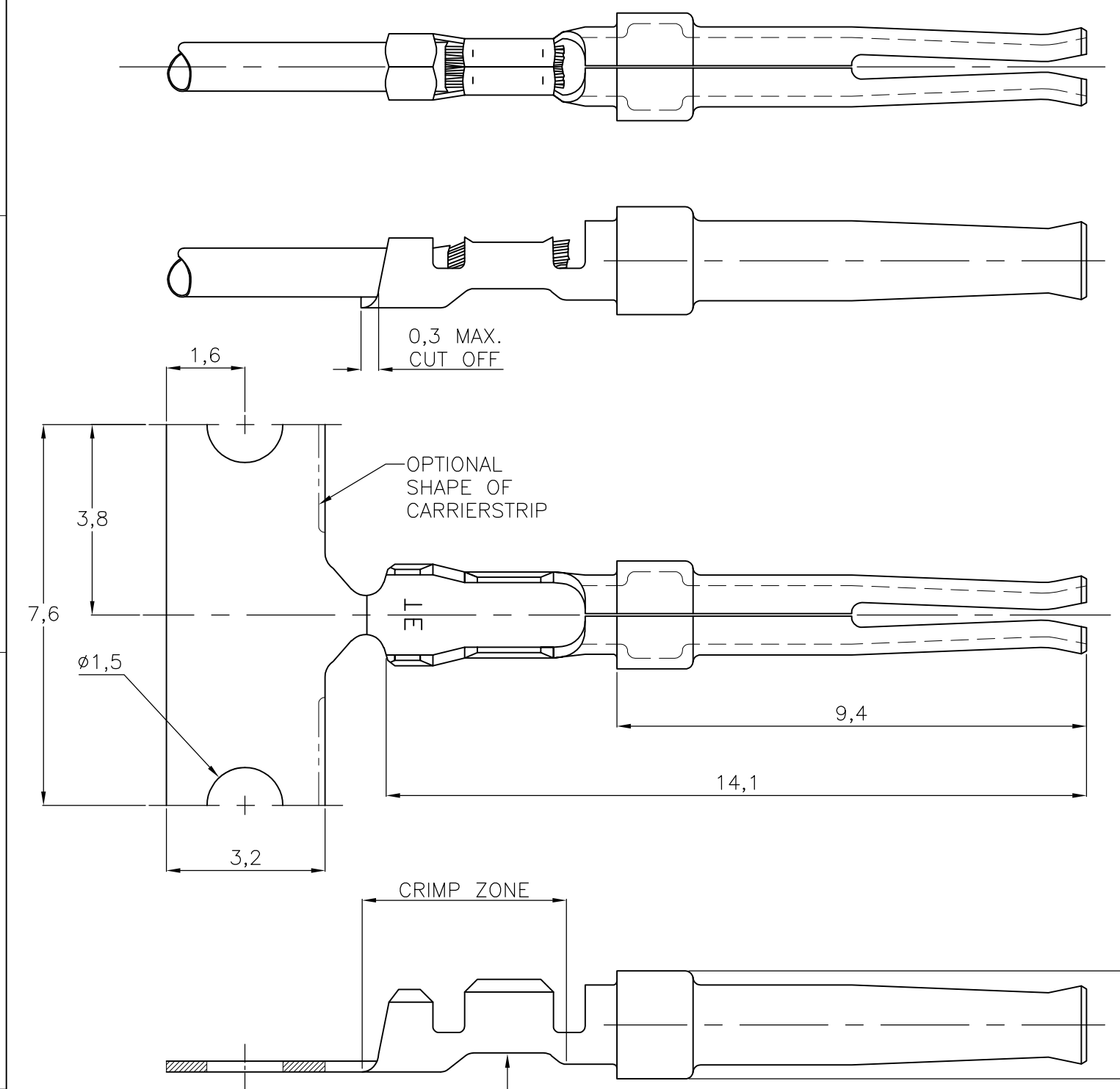


THIS DRAWING IS UNPUBLISHED. RELEASED FOR PUBLICATION
 © COPYRIGHT - By - ALL RIGHTS RESERVED.

LOC	DIST	REVISIONS					
GP	00	P	LTR	DESCRIPTION	DATE	DWN	APVD
		N		REVISED PER ECO-11-020101	10APR2012	CJV	CWR

NOTES:

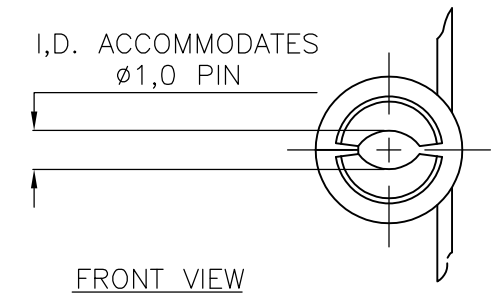
- △1 FOR MINI-APPLICATOR-12500 PCS REEL.
- △2 FOR REEL-FEED HAND TOOLING-500 PCS REEL.
- △3 FOR HAND TOOLING- LOOSE PIECE.
- 4. MATERIAL: PHOSPHORBRONZE.
- △5 FINISH:
 - Ni UNDERPLATING ALL OVER.
 - CONTACT AREA PLATING MEETS IEC-807-3 PERFORMANCE LEVEL 2.
 - CRIMP ZONE Sn PLATED.



WIRE RANGE: 24-20 AWG(0,56-0,20mm²)
 INSUL. RANGE: 1,27-1,52 DIA

△5	166291-1	5-166051-1	166051-1
FINISH	LOOSE-PIECE △3	PART NUMBER △2	PART NUMBER △1
DWN	-	TE Connectivity	
CHK	21AUG08		
APVD	21AUG08	NAME	
PRODUCT SPEC	108-40005	SOCKET CONTACT, SIZE 20 DF.	
APPLICATION SPEC	114-10000	SIZE	RESTRICTED TO
WEIGHT	-	A3	-
CUSTOMER DRAWING		CAGE CODE	DRAWING NO
		00779	C-166051
		SCALE	SHEET
		NTS	1 OF 1
		REV	N

THIS DRAWING IS A CONTROLLED DOCUMENT.	
DIMENSIONING AND TOLERANCING PER ASME Y14.5M-2009	
DIMENSIONS:	TOLERANCES UNLESS OTHERWISE SPECIFIED:
mm	
0 PLC	± -
1 PLC	± 0,127
2 PLC	± -
3 PLC	± -
4 PLC	± -
ANGLES	± -
MATERIAL	FINISH
-	-



X-ON Electronics

Largest Supplier of Electrical and Electronic Components

Click to view similar products for [D-Sub Contacts](#) category:

Click to view products by [TE Connectivity](#) manufacturer:

Other Similar products are found below :

[D02-22-26S-10000](#) [8656352067LF](#) [131A15029X](#) [132A11019X](#) [132J22039X](#) [132A11029X](#) [132A11049X](#) [132A12059X](#) [1757912-1](#) [188582-000](#) [162A11889X](#) [1757913-1](#) [212558-1](#) [030-1955-000](#) [053744-0098](#) [053744-0099](#) [053745-0105](#) [053745-0111](#) [601098N003](#) [86303057NLF](#) [131A11019X](#) [162A11819X](#) [40-9854MP](#) [1-208778-5](#) [FC120N2](#) [MC7526D/AA](#) [MC8122D/AA](#) [FC4010D-15](#) [FC4006D](#) [121A05329A](#) [164C16669X](#) [86566620064LF](#) [131A13019X](#) [DLS3XS5AK40X](#) [09692825723](#) [030-1954-000](#) [L17DM53744207](#) [L17RRD1M11400](#) [030-1952-000](#) [1655496](#) [030-1953-000](#) [030-1953-030](#) [132C11039X](#) [132J15019X](#) [132C15019X](#) [132A10039X](#) [131A10029X](#) [8638PSC2006LF](#) [8656453067LF](#) [86566520064LF](#)