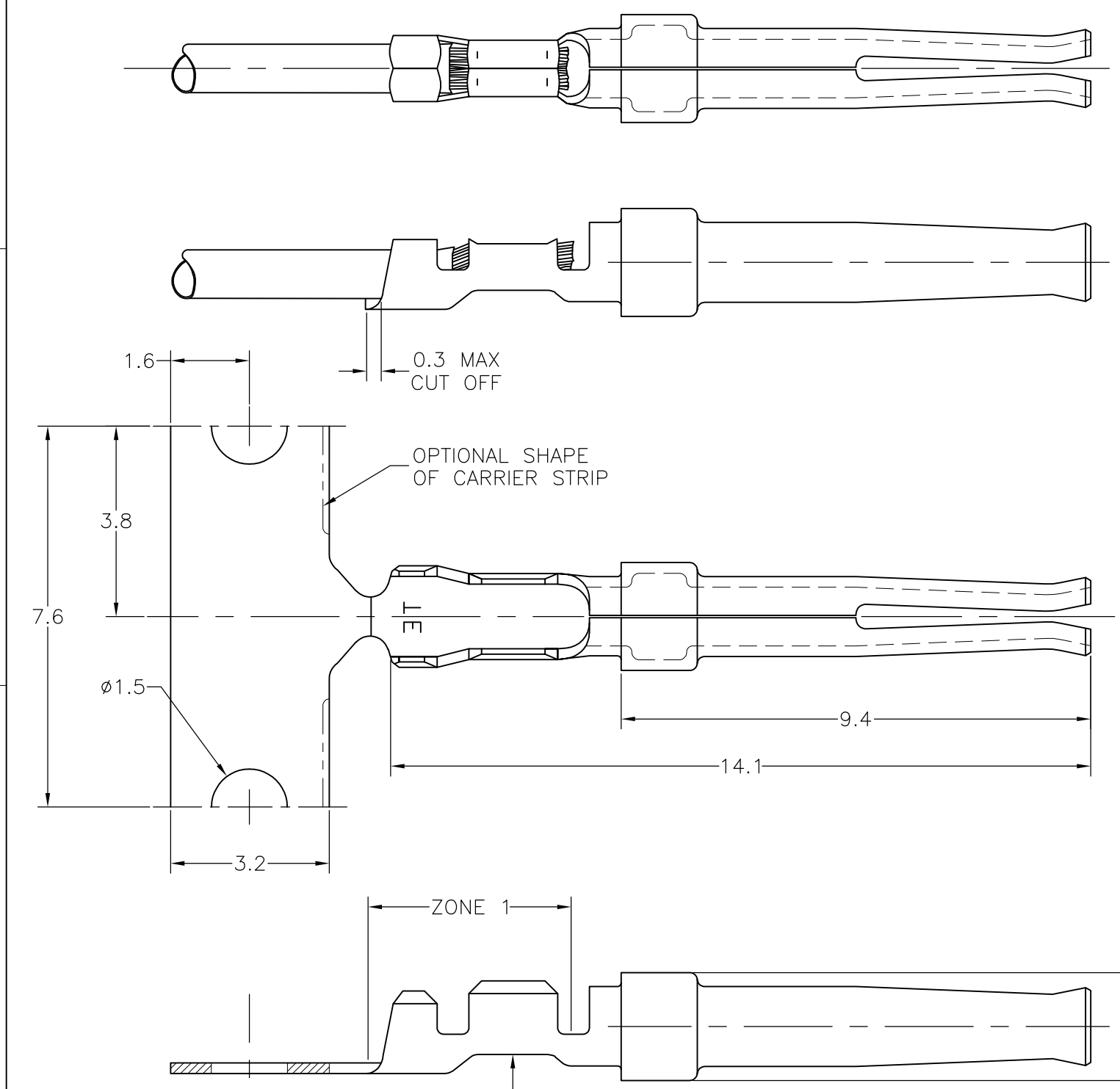


THIS DRAWING IS UNPUBLISHED. RELEASED FOR PUBLICATION
 © COPYRIGHT - By - ALL RIGHTS RESERVED.

LOC	DIST	REVISIONS				
P	LTR	DESCRIPTION	DATE	DWN	APVD	
GP	00	T	REVISED PER ECO-11-020101	10APR2012	CJV	CWR

NOTES:

- 1 FOR MINI-APPLICATOR-12500 PCS REEL.
- 2 FOR REEL-FEED HAND TOOLING-500 PCS REEL.
- 3 FOR HAND TOOLING- LOOSE PIECE.
- 4. MATERIAL: PHOSPHORBRONZE.
- 5 FINISH:
 - Ni UNDERPLATING ALL OVER.
 - CONTACT AREA PLATING MEETS IEC-807-3 PERFORMANCE LEVEL 2.
 - CRIMP ZONE Sn PLATED.



WIRE RANGE: 28-24 AWG(0,08-0,22mm²)
 INSUL. RANGE: 0,76-1,02 DIA

5	166292-1	5-166052-1	166052-1
FINISH	LOOSE PIECE 3	PART NUMBER 2	PART NUMBER 1
DWN -		TE Connectivity	
CHK K.MALCZYK 09SEP08			
APVD T.DE BOER 09SEP08		NAME	
PRODUCT SPEC		SOCKET CONTACT, SIZE 20 DF.	
APPLICATION SPEC		-	
108-40005		SIZE	CAGE CODE
114-10000		DRAWING NO	
WEIGHT -		RESTRICTED TO -	
CUSTOMER DRAWING		A3	00779
SCALE NTS		C-166052	
SHEET 1 OF 1		REV T	

THIS DRAWING IS A CONTROLLED DOCUMENT.	
DIMENSIONS: mm	TOLERANCES UNLESS OTHERWISE SPECIFIED:
	0 PLC ± -
	1 PLC ± 0,127
	2 PLC ± -
	3 PLC ± -
	4 PLC ± -
	ANGLES ± -
MATERIAL -	FINISH -

X-ON Electronics

Largest Supplier of Electrical and Electronic Components

Click to view similar products for [D-Sub Contacts](#) category:

Click to view products by [TE Connectivity](#) manufacturer:

Other Similar products are found below :

[D02-22-26S-10000](#) [8656352067LF](#) [131A15029X](#) [132A11019X](#) [132J22039X](#) [132A11029X](#) [132A11049X](#) [1757912-1](#) [188582-000](#)
[162A11889X](#) [1757913-1](#) [212558-1](#) [030-1955-000](#) [053744-0098](#) [053744-0099](#) [053745-0105](#) [053745-0111](#) [601098N003](#) [86303057NLF](#)
[131A11019X](#) [162A11819X](#) [40-9854MP](#) [1-208778-5](#) [FC120N2](#) [MC7526D/AA](#) [MC8122D/AA](#) [FC4010D-15](#) [FC4006D](#) [121A05329A](#)
[164C16669X](#) [86566620064LF](#) [C330-8997-101H](#) [131A13019X](#) [DLS3XS5AK40X](#) [09692825723](#) [030-1954-000](#) [L17DM53744207](#)
[L17RRD1M11400](#) [030-1952-000](#) [1655496](#) [030-1953-000](#) [030-1953-030](#) [132C11039X](#) [132J15019X](#) [132C15019X](#) [132C11019X](#)
[131A10029X](#) [8638PSC2006LF](#) [8656453067LF](#) [86566520064LF](#)