

CONVERSION CHART	
INCH	MM
.002	0.05
.005	0.13
.010	0.25
.020	0.51
.035	0.89
.100	2.54
.125	3.18
.135	3.43
.180	4.57
.180	4.57
.150	3.82
.300	7.62
.400	10.16
.600	15.24
.700	17.78
.800	20.32
1.000	25.40
1.200	30.48
1.400	35.56
1.800	45.72
2.000	50.8
2.100	53.34
2.400	60.96
3.200	81.28

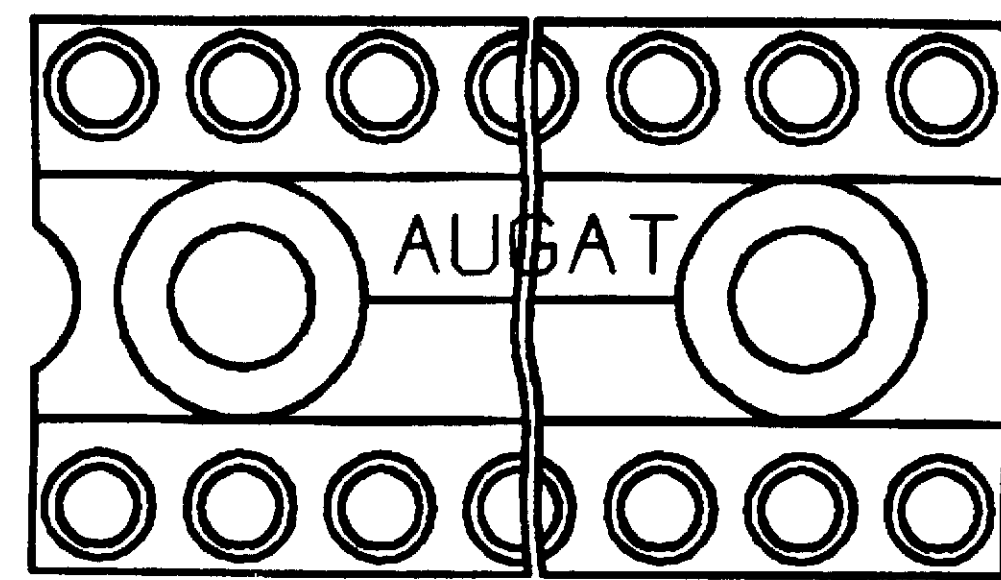


FIG. 1

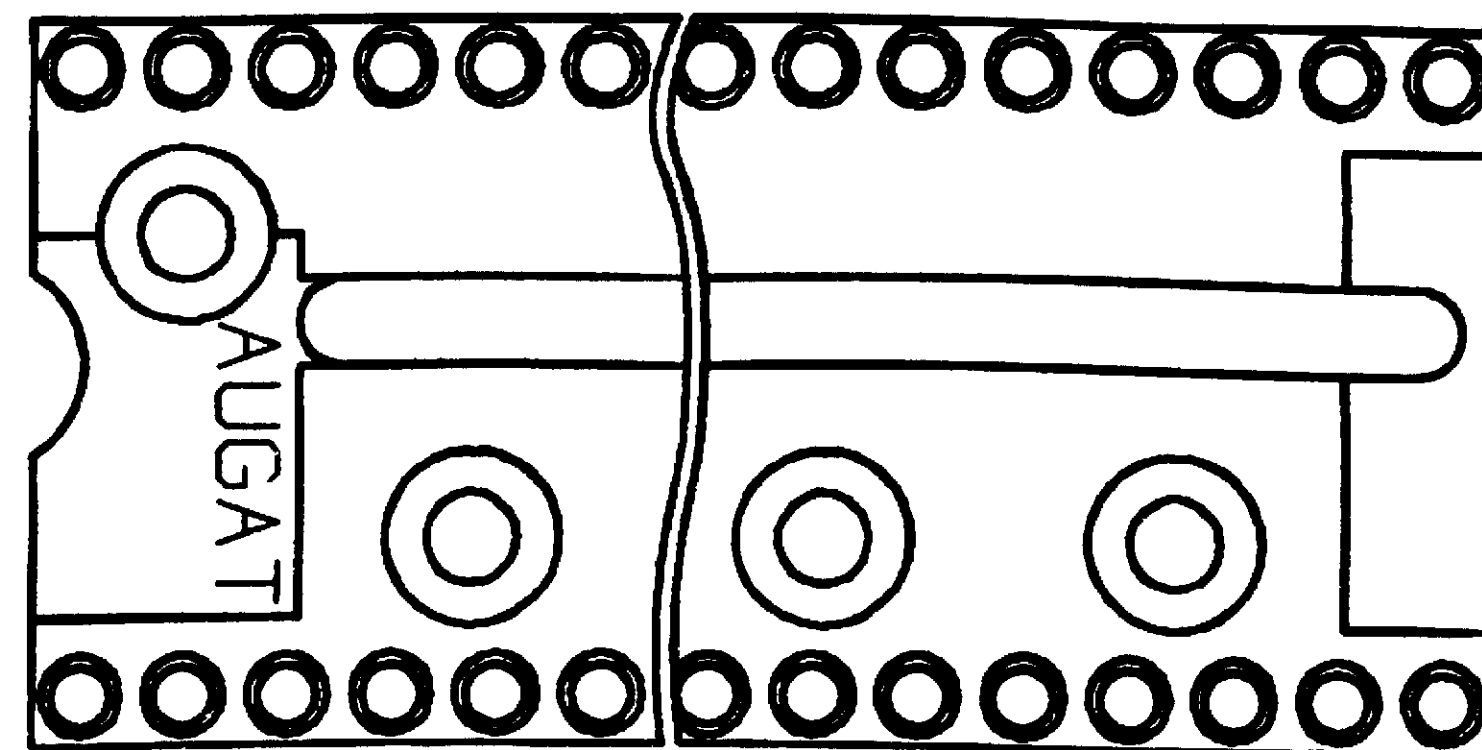
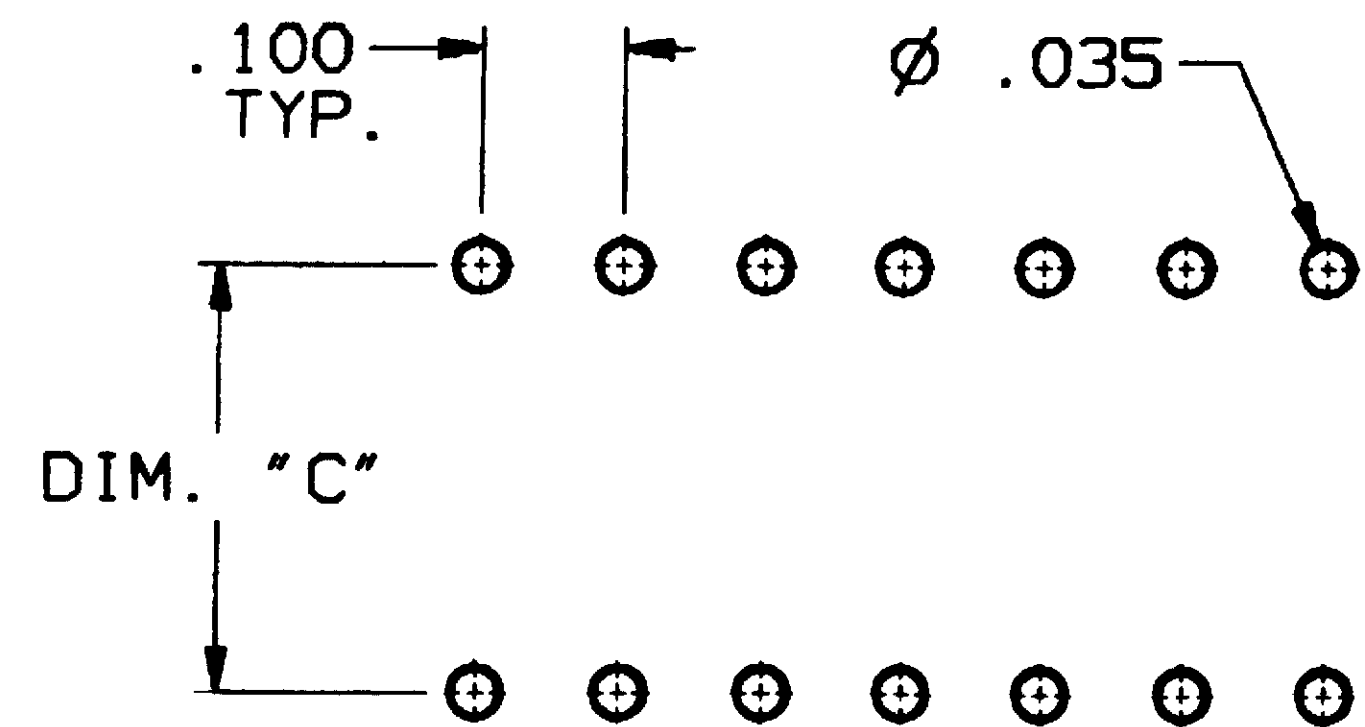
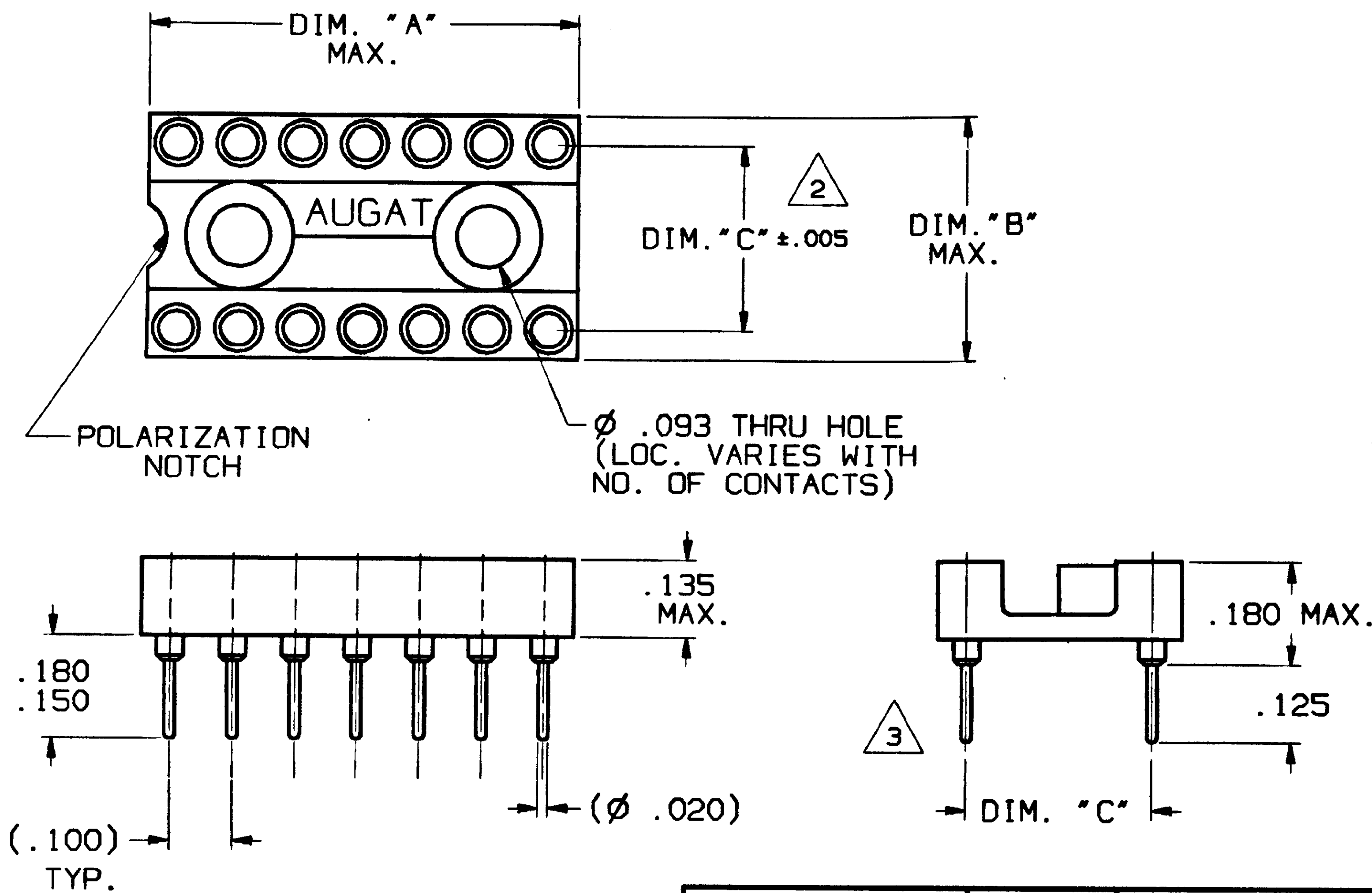


FIG. 2



P.C.B. HOLE LAYOUT
TOLERANCE ±.002

PART NUMBER	FIG.	DIM. "A"	DIM. "B"	DIM. "C"
514-AG10D-ES 514-AG11D-ES 514-AG11D-ESL	1	.700	.400	.300
516-AG10D-ES 516-AG11D-ES 516-AG11D-ESL	1	.800	.400	.300
520-AG10D-ES 520-AG11D-ES 520-AG11D-ESL	1	1.000	.400	.300
524-AG10D-ES 524-AG11D-ES 524-AG11D-ESL	2	1.200	.700	.600
528-AG10D-ES 528-AG11D-ES 528-AG11D-ESL	2	1.400	.700	.600
532-AG10D-ES 532-AG11D-ES 532-AG11D-ESL	2	1.600	.700	.600
540-AG10D-ES 540-AG11D-ES 540-AG11D-ESL	2	2.000	.700	.600

SPECIFICATIONS:

MATERIALS:
 INSULATOR: POLYESTER, UL RATED 94V-0.
 CONTACT: COPPER ALLOY
 SLEEVE: COPPER ALLOY.
 PLATING: 10D-ES - CONTACT - GOLD OVER NICKEL.
 SLEEVE - GOLD OVER NICKEL
 11D-ES - CONTACT - GOLD OVER NICKEL.
 SLEEVE - TIN/LEAD.
 11D-ESL- CONTACT - LOW GOLD OVER NICKEL.
 SLEEVE - TIN/LEAD.

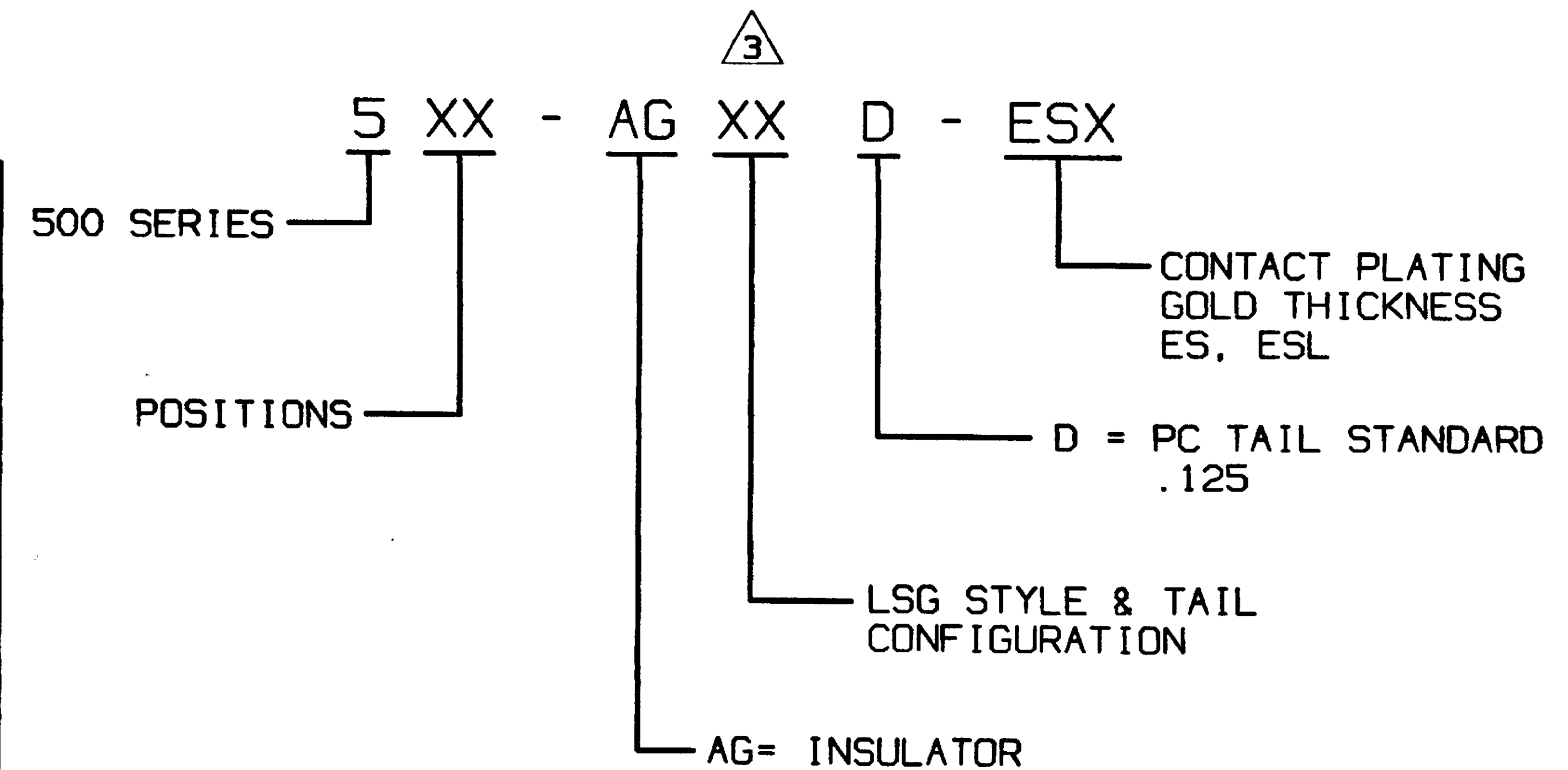
ELECTRICAL:
 CONTACT RESISTANCE: 10 MILLIOHMS MAX.
 CONTACT RATING: 3 AMPS.
 CAPACITANCE: 1.0 pF PER MIL-STD-202, METHOD 305.
 INSULATION RESISTANCE: 5000 MΩ MIN. @ 500 VDC PER MIL-STD-1344, METHOD 3003.1.
 DIELECTRIC WITHSTANDING VOLTAGE: 1000 VOLTS (RMS) PER MIL-STD-1344, METHOD 3001.1.

MECHANICAL:
 INSERTION FORCE: 179 GRAMS AVERAGE WHEN MEASURED WITH Ø .018 POLISHED STEEL PIN.
 WITHDRAWAL FORCE: 63 GRAMS AVERAGE WHEN MEASURED WITH Ø .018 POLISHED STEEL PIN.

ENVIRONMENTAL:
 OPERATING TEMPERATURE:
 TIN/LEAD CONTACT: -63°F TO +221°F (-55°C TO +105°C).
 GOLD CONTACT: -63°F TO +261°F (-55°C TO +125°C).

NOTES:

1. INTERPRET DRAWING PER ASME Y14.5M-1994.



OUTLINE DRAWING
 SPECIFICATIONS ARE SUBJECT TO CHANGES WITHOUT NOTICE

REV	REVISIONS
0	INITIAL RELEASE ESR#6572 S. KIRCORIAN 5-31-95 APP'D: D.O'NEILL 6-2-95
1	REVISED ECO#676-95 S. KIRCORIAN 9-25-95 APP'D: D.O. 9-26-95
2	REVISED ECO# 473-96 L.S. 8-7-96 APP'D: D.O. 8-13-96
3	REVISED ECO# 186-97 CAT 6-23-97 APP'D: D. O'NEILL 6/27/97

TOLERANCES (EXCEPT AS NOTED) ANGULAR = ±1° DECIMAL .XX = ± DECIMAL .XXX = ±.010 DECIMAL .XXXX = ±		THIRD ANGLE PROJECTION	UNLESS OTHERWISE SPECIFIED DIMENSIONS ARE IN INCHES DO NOT SCALE PRINT	ORIGINAL DATE OF DRAWING: 5-31-95
AUGAT CONFIDENTIAL This document contains information which is the exclusive property of Augat Inc. Distribution, reproduction or use by others is not permitted without the expressed written consent of Augat Inc.		FILE NAME: SXXADU1 DIRECTORY: PNCODEAS	DRAWN: S. KIRCORIAN DATE: 5-31-95	TITLE: OUTLINE DRAWING 500 SERIES
SEE SPECIFICATIONS		MATERIAL:	CHECKED:	DATE:
SEE SPECIFICATIONS		FINISH:	APPROVED: D.O'NEILL DATE: 6-2-95	DWG. NO.
		CODE IDENT. NO. 91506	DWG. SIZE C	REV. 3
		NEXT ASSY:	PRODUCT CODE: 6231	SCALE: SHEET 1 OF 1

X-ON Electronics

Largest Supplier of Electrical and Electronic Components

Click to view similar products for IC & Component Sockets category:

Click to view products by TE Connectivity manufacturer:

Other Similar products are found below :

[0066-3-17-15-30-14-02-0](#) [670](#) [672](#) [673](#) [694-13-640-00-672-000](#) [712-93-120-41-001000](#) [714-93-104-31-018000](#) [8059-4G1-LF](#) [807-22-001-10-001101](#) [807-22-001-10-006101](#) [807-22-001-30-011101](#) [807-22-001-30-012101](#) [807-22-001-30-013101](#) [807-22-001-30-014101](#) [8-1437531-4](#) [8150-6P10](#) [833-93-034-10-001000](#) [851-41-006-10-001000](#) [851-43-008-20-001000](#) [851-43-014-20-001000](#) [851-93-006-20-001000](#) [851-93-010-20-001000](#) [853-43-020-10-001000](#) [86.010.0053.0](#) [116-43-308-41-007000](#) [PX-68LCC](#) [121-13-318-41-001000](#) [121-13-320-41-001000](#) [121-13-308-41-001000](#) [123-43-314-41-801000](#) [123-43-420-41-001000](#) [122-13-316-41-001000](#) [123-13-624-41-001000](#) [123-43-306-41-001000](#) [12-3513-11](#) [123-91-320-41-001000](#) [126-43-310-41-002000](#) [AKSUN 37V-T](#) [1437503-9](#) [1437504-1](#) [146-44-308-41-013000](#) [146-43-308-41-012000](#) [160-10-308-00-001000](#) [160-40-320-00-001000](#) [214-99-306-01-670800](#) [232-1270-02-0602](#) [2-382761-4](#) [2-5331677-4](#) [2-640360-3](#) [2801-2-00-50-00-00-07-0](#)