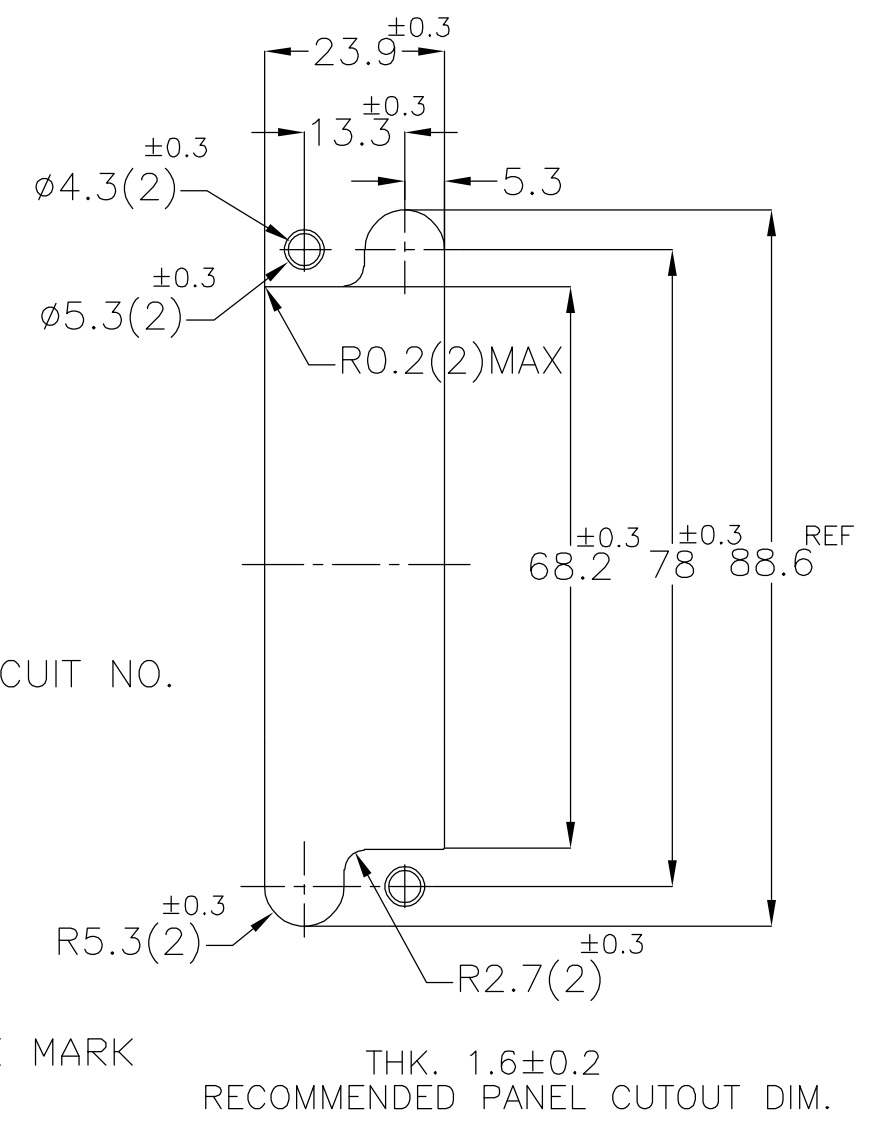
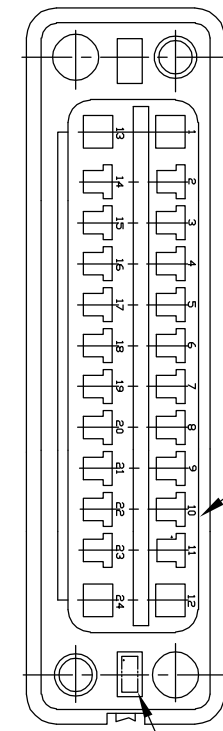
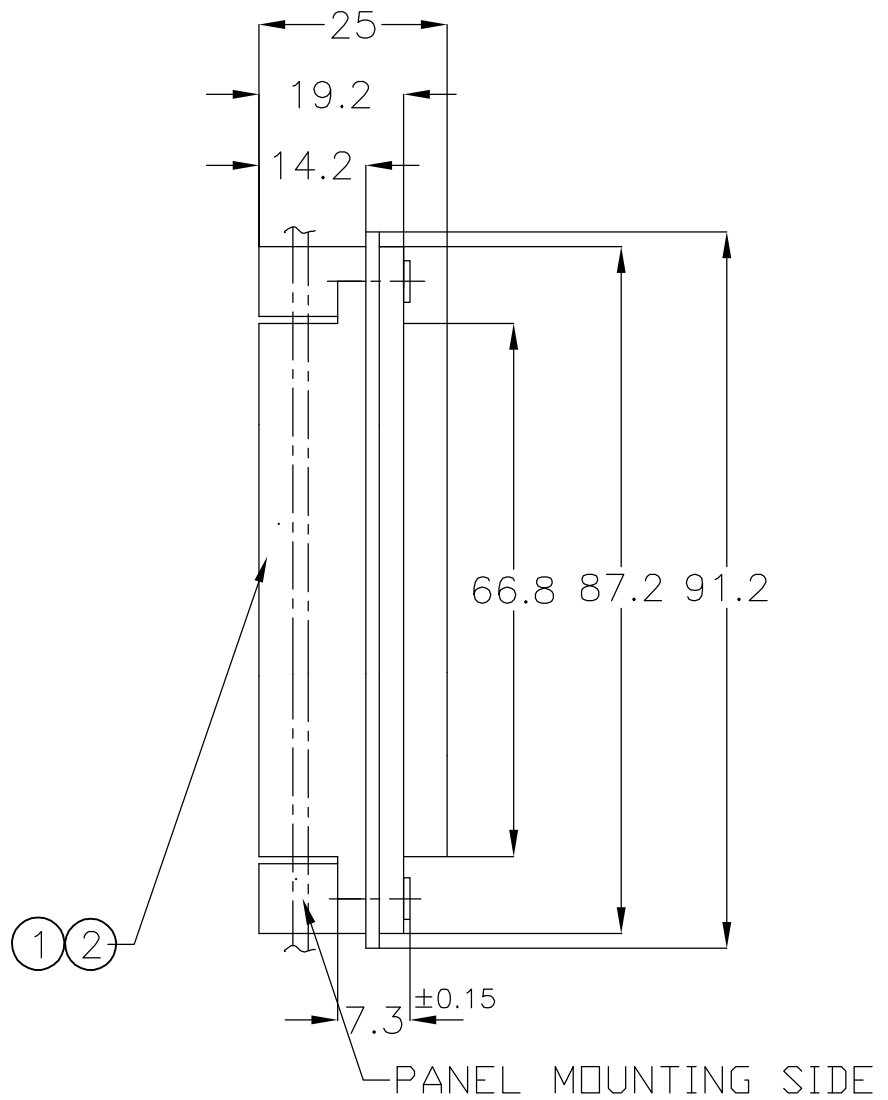
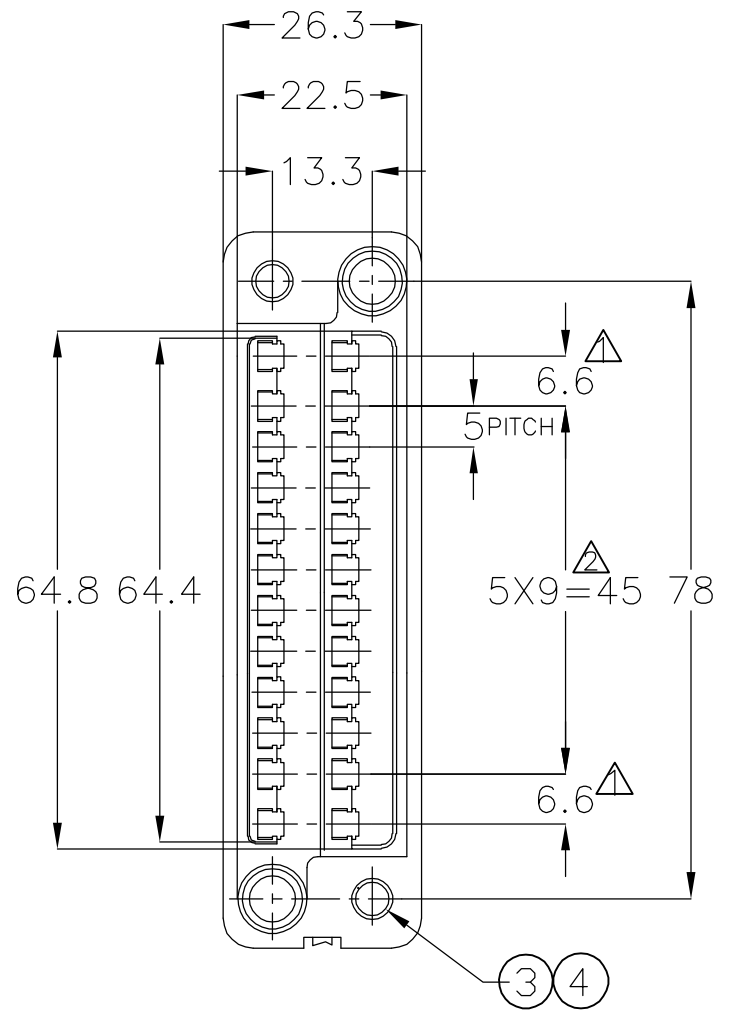


THIS DRAWING IS UNPUBLISHED. RELEASED FOR PUBLICATION  
 © COPYRIGHT - BY TYCO ELECTRONICS CORPORATION. ALL RIGHTS RESERVED.

LOC	DIST	REVISIONS					
		P	LTR	DESCRIPTION	DATE	DWN	APVD
J	-	A	RELEASED	ECR-05-009552	26JUL05	C.Z	S.Y



NOTES:  
 1. FOR POWER CURCUITS (4POS).  
 2. FOR SIGNAL CURCUITS (20POS).  
 3. ACCOMOMDATED CONTACTS ARE STRIP P/N 170311, 170312, 170484 L.P P/N 170313, 170314, 170485  
 4. MALE HSG P/N IS 172624-1,-3.  
 MATERIAL:  
 HOUSING: PBT 94V-0  
 BUSH: JIS H3250, C3602 BD-F  
 FINISH:  
 NICKEL PLATED PER AMP SPEC 112-25.

REV	QTY	PART NO	NAME	REMARKS	ITEM No.
2	-	1-172065-3		(4mm)	4
-	2	1-172065-1	FLOATING BUSH ASS'Y	(3mm)	3
1	-	172626-3		24 POS. (4mm)	2
-	1	172626-1	24P DRAWER CONN.FEMAIL HSG	24 POS. (3mm)	1
-3	-1	NUMBER	NAME	REMARKS	ITEM No.

THIS DRAWING IS A CONTROLLED DOCUMENT.		DWN C.ZHU 25JUL05	Tyco Electronics AMP K.K. Kawasaki, Japan			
DIMENSIONS: mm		CHK I.WANG 26JUL05				
TOLERANCES UNLESS OTHERWISE SPECIFIED:		APVD S.YAO 26JUL05	NAME 24POS. FEMALE HSG ASS'Y DRAWER CONN.			
0 PLC ± 0.4 1 PLC ± 0.4 2 PLC ± 0.4 3 PLC ± 0.4 4 PLC ± 0.4 ANGLES ± -		PRODUCT SPEC -	SIZE A3	CAGE CODE 00779	DRAWING NO C-5172625	RESTRICTED TO -
MATERIAL		FINISH	WEIGHT -		SCALE 1:1 SHEET 1 OF 1 REV A	
CUSTOMER DRAWING						

## X-ON Electronics

Largest Supplier of Electrical and Electronic Components

*Click to view similar products for [Heavy Duty Power Connectors](#) category:*

*Click to view products by [TE Connectivity](#) manufacturer:*

Other Similar products are found below :

[647757-1](#) [6643411-1](#) [6646058-2](#) [6646137-1](#) [6646138-1](#) [6646479-1](#) [6646608-1](#) [6646786-1](#) [6646940-1](#) [6651091-1](#) [6651525-1](#) [6651529-1](#)  
[6651788-1](#) [696475-1](#) [702-32-01109](#) [703-25-02205](#) [73000005059](#) [73000005642](#) [73080255059](#) [73080965046](#) [765-15-0080A](#) [765-16-0080B](#)  
[765-18-0080D](#) [829992-1](#) [902-77-02113](#) [PS00/A0620/6300](#) [PS25/A0420/63](#) [129-1J](#) [1409400](#) [AN0024023](#) [E6374G1](#) [e6389g2](#) [157-43GW8](#)  
[MS3117-14AC](#) [1643543-1](#) [1650540-1](#) [1651811-2](#) [1766260-1](#) [1766282-1](#) [1766966-1](#) [1791340000](#) [NLDFT-3-BL-L-S120-M40A](#) [NLDFT-N-](#)  
[W-L-C240-M40B](#) [NLS-2-R-C240-M40B](#) [NLS-N-W-C240-M40B](#) [NPS-3-BL-T6](#) [1986615-1](#) [2-1589900-8](#) [2199314-1](#) [KA8102](#)