

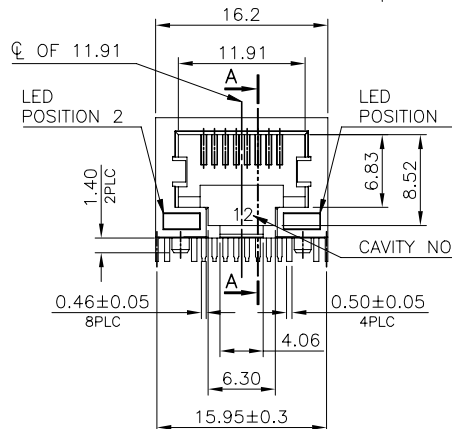
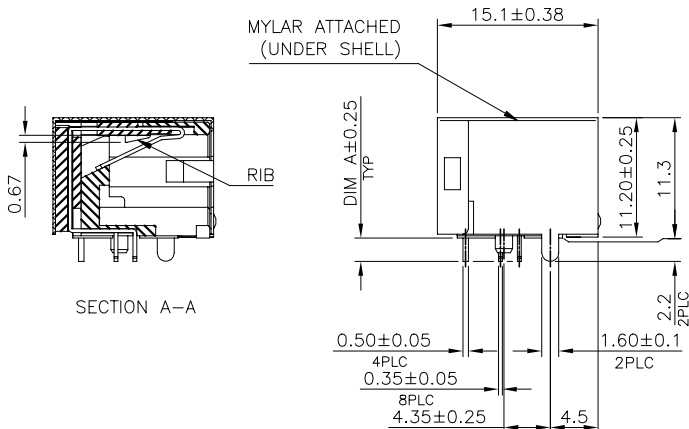
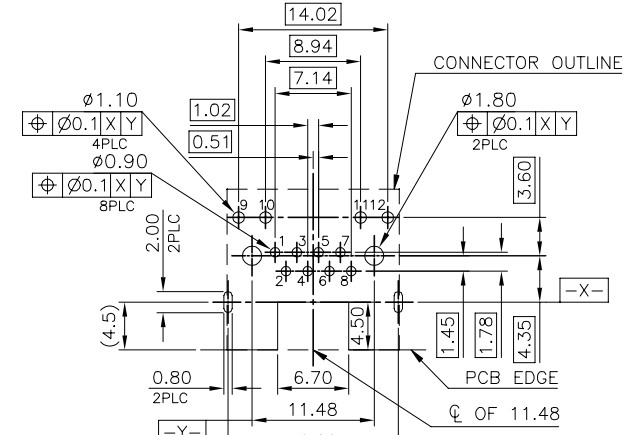
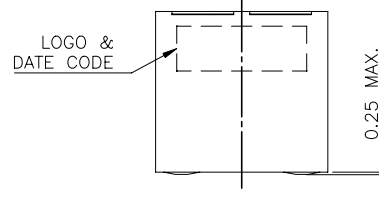
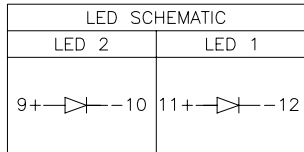
4

3

2

1

THIS DRAWING IS UNPUBLISHED.		RELEASED FOR PUBLICATION		LOC DW		DIST		REVISIONS					
COPYRIGHT 2010 BY TYCO ELECTRONICS CORPORATION. ALL RIGHTS RESERVED.								P	LTR	DESCRIPTION	DATE	DWN	APVD
								A6	ECR-20-003143		26OCT'2019	RR	SH



RECOMMENDED PCB LAYOUT (TOP VIEW)
PCB THICKNESS: 1.6mm, TOLERANCE: ±0.05

NOTE:

- MATERIAL:
 - HOUSING: PA46, WITH 30% GF, UL94 V-0, BLACK COLOR.
 - INSERT HOUSING: PA46, WITH 30% GF, UL94 V-0, BLACK COLOR.
 - CONTACTS: PHOSPHOR BRONZE.
 - SHELL: BRASS.
 - LED SOLDER TAIL: STEEL.
 - MYLAR: SILICONE POLYMER.
 - FINISH:
 - CONTACTS: (SEE TABLE) GOLD PLATED ON CONTACT AREA. GOLD FLASH ON SOLDER TAIL. 1.27um [50u"] MIN. NICKEL UNDERPLATED OVERALL.
 - SHELL: 0.508um [20u"] MIN. NICKEL PLATED.
 - LED: 1.02um [40u"] COPPER UNDERPLATED OVERALL. 0.2032um [8u"] NICKEL OVERALL. 0.254um [10u"] SILVER ON BONDING AREA. 0.2032um [80u"] BRIGHT-TIN ON SOLDER AREA.
 - LED MUST BE REFLOW COMPATIBLE TO FOLLOWING TEMPERATURE PROFILE (FOR 1 CYCLE): ABOVE 160°C FOR 120 SECONDS, PEAKING AT 220°C FOR 10 SECONDS.
 - LED DEFECT RATE IS 6000 PPM MAX. AFTER IR REFLOW PROCESS AS NOTE 3.
 - WAVE SOLDER CAPABLE TO 265°C PER TE SPEC 109-202, CONDITION B.
- ⚠️ OBSOLETE PARTS: OBSOLETE CIS STREAMLINING PER D.RENAUD/D.SINISI.

⚠️ OBSOLETE	REEL	2.2	YELLOW	GREEN	1.27um[50u"]	1-1734324-8
					0.762um[30u"]	1-1734324-7
⚠️ OBSOLETE	TRAY	2.2	GREEN	YELLOW	0.381um[15u"]	1-1734324-6
					0.152um[6u"]	1-1734324-5
⚠️ OBSOLETE	TRAY	2.2	YELLOW	GREEN	1.27um[50u"]	1-1734324-4
					0.762um[30u"]	1-1734324-3
⚠️ OBSOLETE	TRAY	2.2	GREEN	YELLOW	0.381um[15u"]	1-1734324-2
					0.152um[6u"]	1-1734324-1
⚠️ OBSOLETE	TRAY	2.2	YELLOW	GREEN	1.27um[50u"]	1-1734324-8
					0.762um[30u"]	1734324-7
⚠️ OBSOLETE	TRAY	2.2	GREEN	YELLOW	0.381um[15u"]	1-1734324-6
					0.152um[6u"]	1734324-5
⚠️ OBSOLETE	TRAY	2.2	GREEN	YELLOW	1.27um[50u"]	1-1734324-4
					0.762um[30u"]	1734324-3
⚠️ OBSOLETE	TRAY	2.2	YELLOW	GREEN	0.381um[15u"]	1-1734324-2
					0.152um[6u"]	1734324-1
	PACKAGE	DIM A	POSITION 2	POSITION 1	MIN. GOLD THICKNESS	PART NUMBER

THIS DRAWING IS A CONTROLLED DOCUMENT.

DWN	A. WU	04MAR2008				
CHK	S. HOU	04MAR2008				
APP'D	W. KODAMA	04MAR2008				
PRODUCT SPEC	108-57535					
APPLICATION SPEC			NAME	MODULAR JACK CONNECTOR RJ45 WITH LED, 8P8C, SHIELDED TAB DOWN, DIP TYPE, H=11.3mm		
WEIGHT	4.5 GRAMS		SIZE	CAGE CODE	DRAWING NO	RESTRICTED TO
CUSTOMER DRAWING			A3	00779	C=1734324	
			SCALE	SHEET	1 OF 7	REV A6

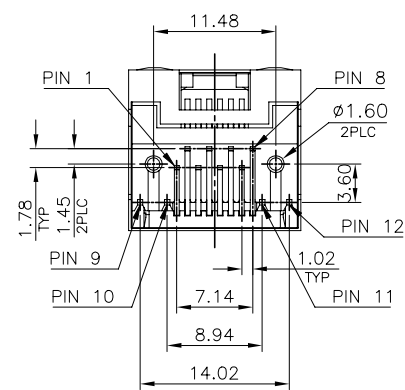
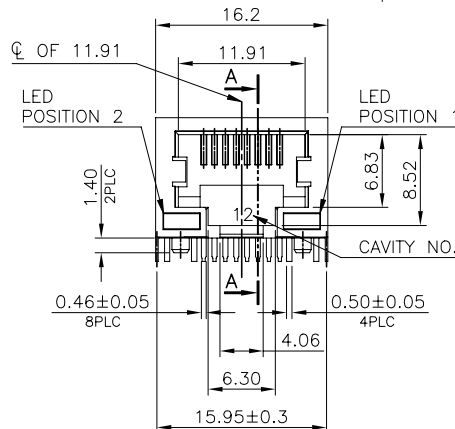
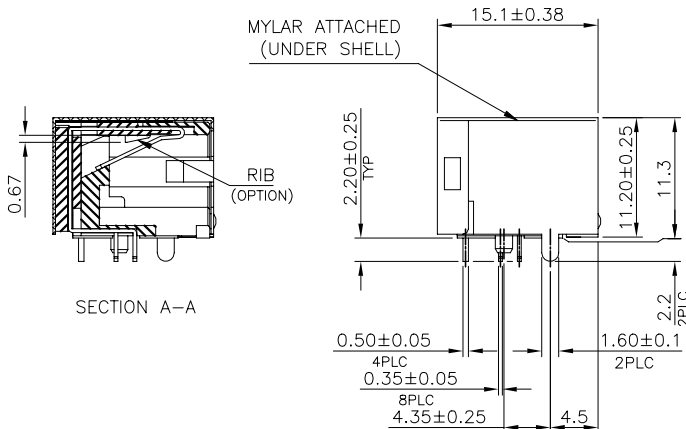
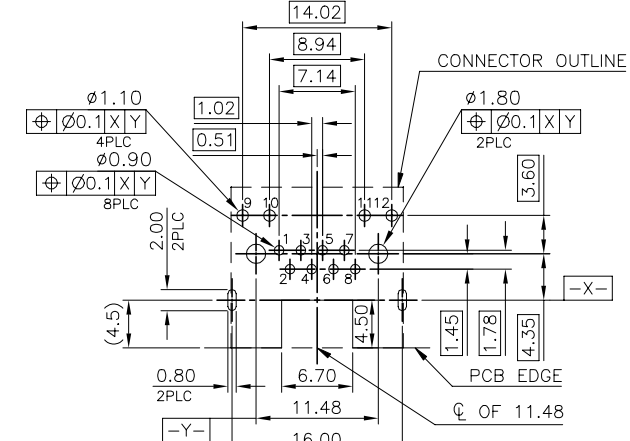
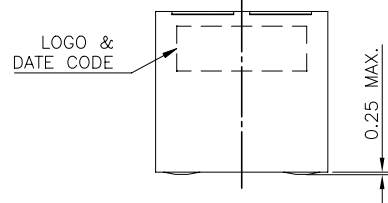
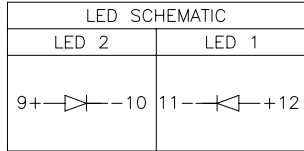
4

3

2

1

THIS DRAWING IS UNPUBLISHED.		RELEASED FOR PUBLICATION		LOC DW		DIST		REVISIONS					
© COPYRIGHT 2010 BY TYCO ELECTRONICS CORPORATION. ALL RIGHTS RESERVED.								P LTR		DESCRIPTION		DATE DWN APVD	
								SEE SHEET 1.					

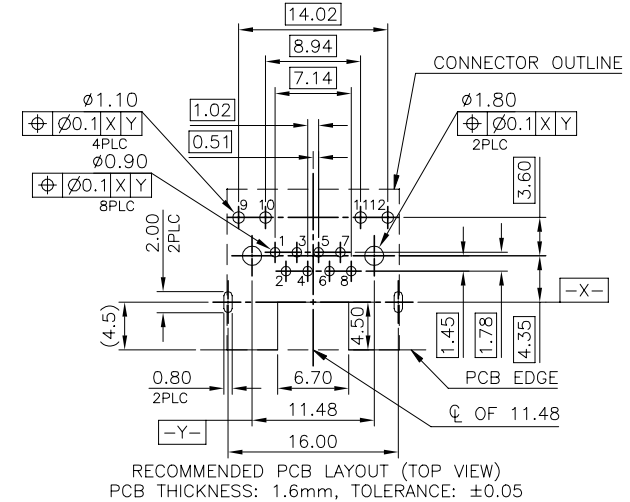
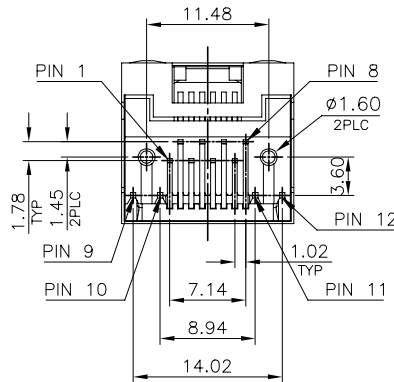
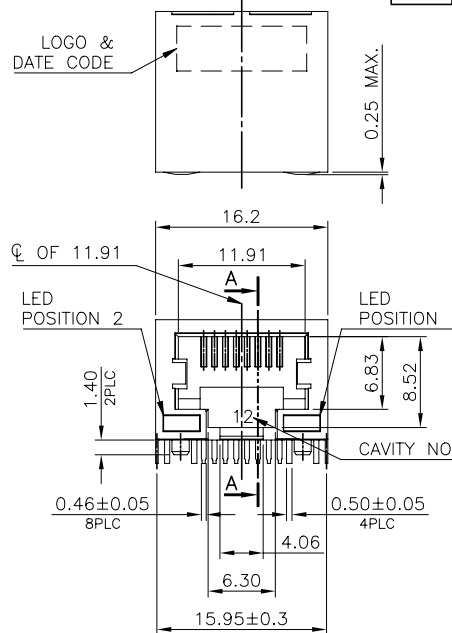
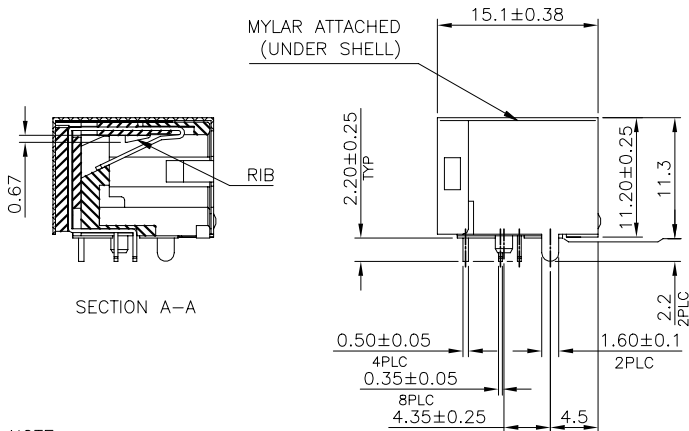
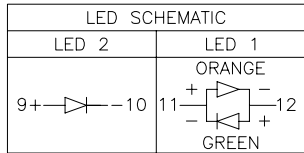


- NOTE:
- MATERIAL:
 - HOUSING: PA46, WITH 30% GF, UL94 V-0, BLACK COLOR.
 - INSERT HOUSING: PA46, WITH 30% GF, UL94 V-0, BLACK COLOR.
 - CONTACTS: PHOSPHOR BRONZE.
 - SHELL: BRASS.
 - LED SOLDER TAIL: STEEL.
 - MYLAR: SILICONE POLYMER.
 - FINISH:
 - CONTACTS: (SEE TABLE) GOLD PLATED ON CONTACT AREA. GOLD FLASH ON SOLDER TAIL. 1.27um [50u"] MIN. NICKEL UNDERPLATED OVERALL.
 - SHELL: 0.508um [20u"] MIN. NICKEL PLATED.
 - LED: 1.02um [40u"] COPPER UNDERPLATED OVERALL. 0.2032um [8u"] NICKEL OVERALL. 0.254um [10u"] SILVER ON BONDING AREA. 0.2032um [80u"] BRIGHT-TIN ON SOLDER AREA.
 - LED MUST BE REFLOW COMPATIBLE TO FOLLOWING TEMPERATURE PROFILE (FOR 1 CYCLE): ABOVE 160°C FOR 120 SECONDS, PEAKING AT 220°C FOR 10 SECONDS.
 - LED DEFECT RATE IS 6000 PPM MAX. AFTER IR REFLOW PROCESS AS NOTE 3.
 - WAVE SOLDER CAPABLE TO 265°C PER TE SPEC 109-202, CONDITION B.
- △ OBSOLETE PARTS: OBSOLETE CIS STREAMLINING PER D.RENAUD/D.SINISI.

△	OBSOLETE	W/O TAPE & REEL	YELLOW	GREEN	1.27um[50u"]	3-1734324-6
					0.762um[30u"]	3-1734324-7
△	OBSOLETE	W/O TAPE & REEL	GREEN	YELLOW	0.381um[15u"]	3-1734324-6
					0.152um[6u"]	3-1734324-5
△	OBSOLETE	W/ TRAY	YELLOW	GREEN	1.27um[50u"]	3-1734324-4
					0.762um[30u"]	3-1734324-3
△	OBSOLETE	W/ TRAY	GREEN	YELLOW	0.381um[15u"]	3-1734324-2
					0.152um[6u"]	3-1734324-1
△	OBSOLETE	W/ TRAY	YELLOW	GREEN	1.27um[50u"]	2-1734324-8
					0.762um[30u"]	2-1734324-7
△	OBSOLETE	W/ TRAY	GREEN	YELLOW	0.381um[15u"]	2-1734324-6
					0.152um[6u"]	2-1734324-5
		RIB PACKAGE	POSITION 2	POSITION 1	MIN. GOLD THICKNESS	PART NUMBER

THIS DRAWING IS A CONTROLLED DOCUMENT.

DIMENSIONS: mm	TOLERANCES UNLESS OTHERWISE SPECIFIED:	DWN	TE Connectivity	
0 PLC ±	1 PLC ±0.3	CHK	NAME	
2 PLC ±0.2	3 PLC ±0.15	APVD	MODULAR JACK CONNECTOR	
4 PLC ±	ANGLES ±3°	PRODUCT SPEC	RJ45 WITH LED, 8P8C, SHIELDED	
MATERIAL	FINISH	APPLICATION SPEC	SIZE	CAGE CODE
		WEIGHT	A3	00779
		CUSTOMER DRAWING	DRAWING NO	RESTRICTED TO
			G=1734324	
			SCALE	SHEET
				2 OF 7
				REV A6

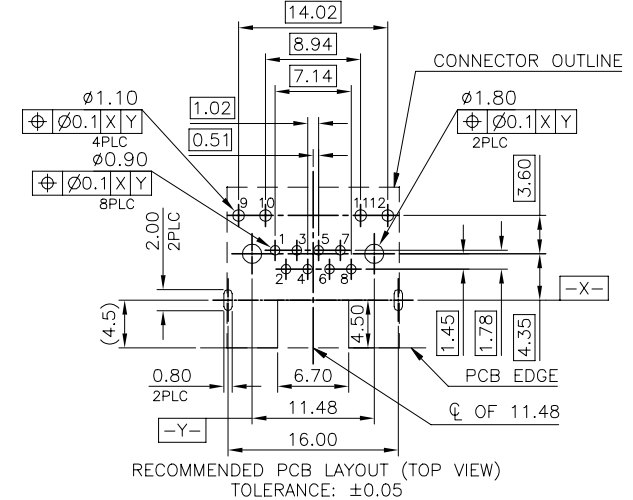
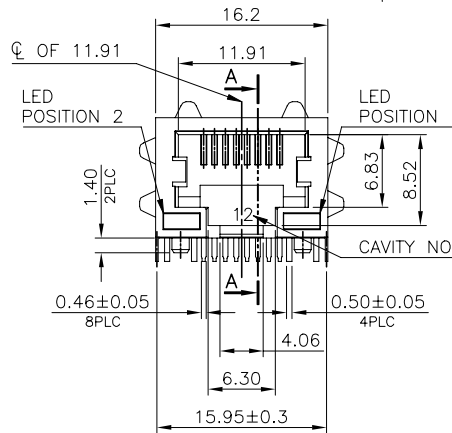
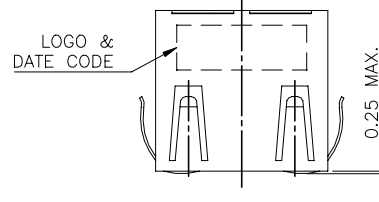
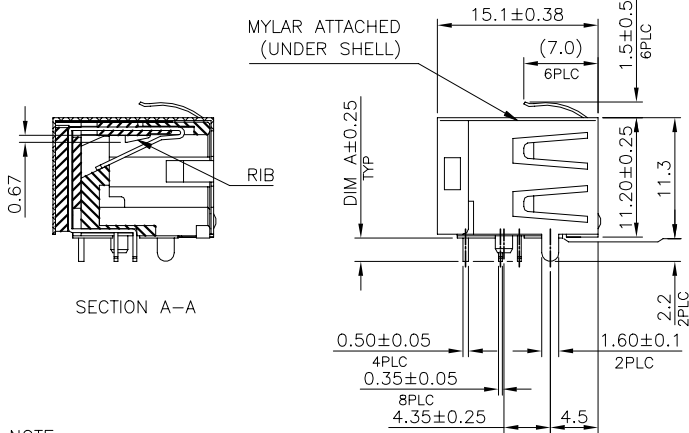
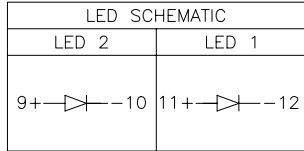


- NOTE:
- MATERIAL:
 - HOUSING: PA46, WITH 30% GF, UL94 V-0, BLACK COLOR.
 - INSERT HOUSING: PA46, WITH 30% GF, UL94 V-0, BLACK COLOR.
 - CONTACTS: PHOSPHOR BRONZE.
 - SHELL: BRASS.
 - LED SOLDER TAIL: STEEL.
 - MYLAR: SILICONE POLYMER.
 - FINISH:
 - CONTACTS: (SEE TABLE) GOLD PLATED ON CONTACT AREA. GOLD FLASH ON SOLDER TAIL. 1.27µm [50u"] MIN. NICKEL UNDERPLATED OVERALL.
 - SHELL: 0.508µm [20u"] MIN. NICKEL PLATED.
 - LED: 1.02µm [40u"] COPPER UNDERPLATED OVERALL. 0.2032µm [8u"] NICKEL OVERALL. 0.254µm [10u"] SILVER ON BONDING AREA. 0.2032µm [80u"] BRIGHT-TIN ON SOLDER AREA.
 - LED MUST BE REFLOW COMPATIBLE TO FOLLOWING TEMPERATURE PROFILE (FOR 1 CYCLE): ABOVE 160°C FOR 120 SECONDS, PEAKING AT 220°C FOR 10 SECONDS.
 - LED DEFECT RATE IS 6000 PPM MAX. AFTER IR REFLOW PROCESS AS NOTE 3.
 - WAVE SOLDER CAPABLE TO 265°C PER TE SPEC 109-202, CONDITION B.
- ⚠️ OBSOLETE PARTS: OBSOLETE CIS STREAMLINING PER D.RENAUD/D.SINISI.

⚠️ OBSOLETE	TRAY	GREEN	ORANGE/ GREEN	1.27µm[50u"]	4-1734324-4	
				0.762µm[30u"]	4-1734324-3	
				0.381µm[15u"]	4-1734324-2	
				0.152µm[6u"]	4-1734324-1	
	PACKAGE		POSITION 2 INDICATOR COLOR	POSITION 1	MIN. GOLD THICKNESS	PART NUMBER

THIS DRAWING IS A CONTROLLED DOCUMENT.

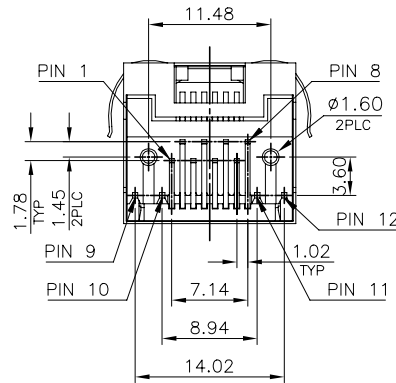
DIMENSIONS: mm	TOLERANCES UNLESS OTHERWISE SPECIFIED:	TE Connectivity			
0 PLC ± 1 PLC ±0.3 2 PLC ±0.2 3 PLC ±0.15 4 PLC ± ANGLES ±3°		NAME: MODULAR JACK CONNECTOR RJ45 WITH LED, 8P8C, SHIELDED TAB DOWN, DIP TYPE, H=11.3mm			
MATERIAL	FINISH	SIZE: A3	CAGE CODE: 00779	DRAWING NO: C=1734324	RESTRICTED TO: -
CUSTOMER DRAWING		SCALE: -	SHEET: 3 of 7	REV: A6	



RECOMMENDED PCB THICKNESS	DIM A
1.6	2.2
2.0	3.5

NOTE:

- MATERIAL:
 - HOUSING: PA46, WITH 30% GF, UL94 V-0, BLACK COLOR.
 - INSERT HOUSING: PA46, WITH 30% GF, UL94 V-0, BLACK COLOR.
 - CONTACTS: PHOSPHOR BRONZE.
 - SHELL: BRASS.
 - LED SOLDER TAIL: STEEL.
 - MYLAR: SILICONE POLYMER.
 - FINISH:
 - CONTACTS: (SEE TABLE) GOLD PLATED ON CONTACT AREA. GOLD FLASH ON SOLDER TAIL. 1.27µm [50u"] MIN. NICKEL UNDERPLATED OVERALL.
 - SHELL: 0.508µm [20u"] MIN. NICKEL PLATED.
 - LED: 1.02µm [40u"] COPPER UNDERPLATED OVERALL. 0.2032µm [8u"] NICKEL OVERALL. 0.254µm [10u"] SILVER ON BONDING AREA. 0.2032µm [80u"] BRIGHT-TIN ON SOLDER AREA.
 - LED MUST BE REFLOW COMPATIBLE TO FOLLOWING TEMPERATURE PROFILE (FOR 1 CYCLE): ABOVE 160°C FOR 120 SECONDS, PEAKING AT 220°C FOR 10 SECONDS.
 - LED DEFECT RATE IS 6000 PPM MAX. AFTER IR REFLOW PROCESS AS NOTE 3.
 - WAVE SOLDER CAPABLE TO 265°C PER TE SPEC 109-202, CONDITION B.
- ⚠ OBSOLETE PARTS: OBSOLETE CIS STREAMLINING PER D.RENAUD/D.SINISI.



⚠ OBSOLETE

⚠ OBSOLETE

PACKAGE	DIM A	POSITION 2	POSITION 1	MIN. GOLD THICKNESS	PART NUMBER
TRAY	3.5	GREEN	YELLOW	0.762µm [30u"]	5-1734324-9
				1.27µm [50u"]	5-1734324-8
		YELLOW	GREEN	0.762µm [30u"]	5-1734324-7
				0.381µm [15u"]	5-1734324-6
		GREEN	YELLOW	0.152µm [6u"]	5-1734324-5
				1.27µm [50u"]	5-1734324-4
PACKAGE	DIM A	POSITION 2	POSITION 1	0.762µm [30u"]	5-1734324-3
				0.381µm [15u"]	5-1734324-2
				0.152µm [6u"]	5-1734324-1

THIS DRAWING IS A CONTROLLED DOCUMENT.

DWN _____

CHK _____

APVD _____

PRODUCT SPEC _____

APPLICATION SPEC _____

WEIGHT _____

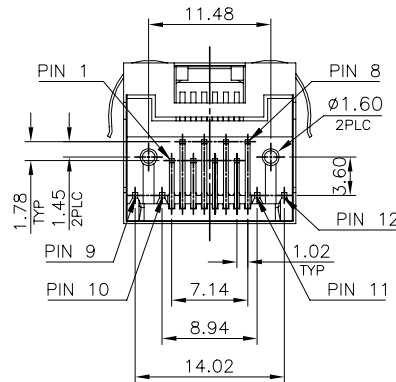
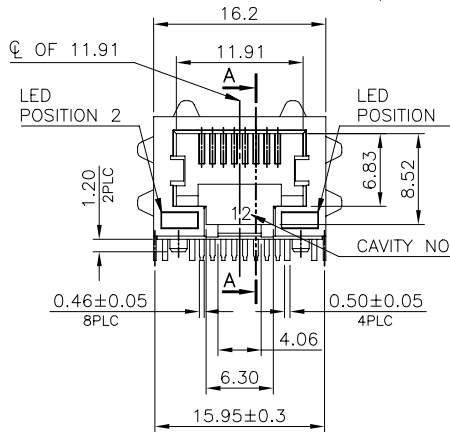
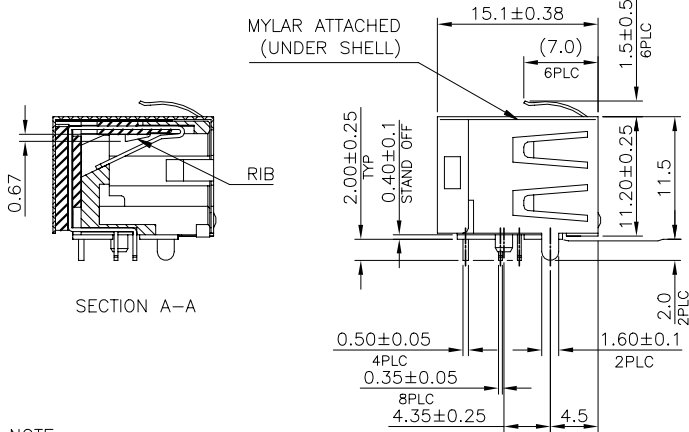
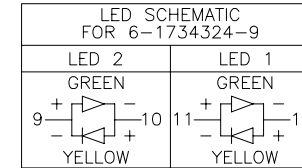
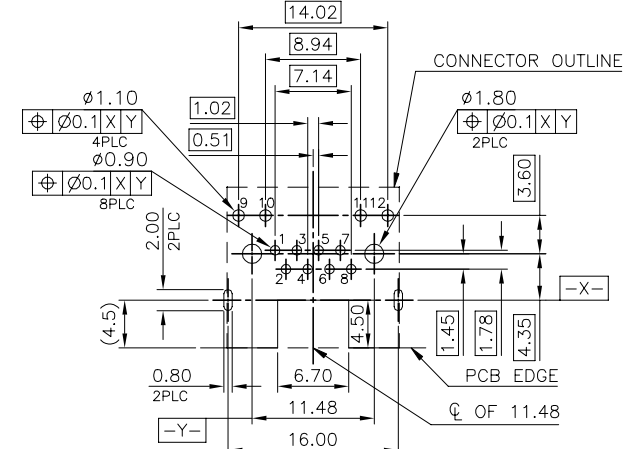
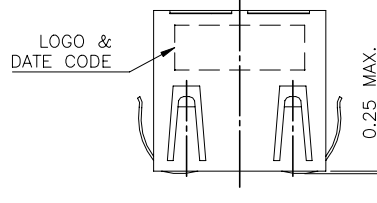
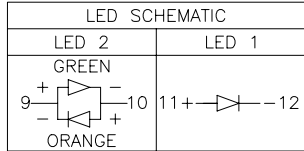
CUSTOMER DRAWING _____

TE Connectivity

NAME: MODULAR JACK CONNECTOR RJ45 WITH LED, 8P8C, SHIELDED TAB DOWN, DIP TYPE, H=11.3mm

SIZE: A3 CAGE CODE: 00779 DRAWING NO: 1734324 RESTRICTED TO: _____

SCALE: _____ SHEET: 4 OF 7 REV: A6



NOTE:

- MATERIAL:
 - HOUSING: PA9T, WITH 30% GF, UL94 V-0, BLACK COLOR.
 - INSERT HOUSING: PA46, WITH 30% GF, UL94 V-0, BLACK COLOR.
 - CONTACTS: PHOSPHOR BRONZE.
 - SHELL: BRASS.
 - LED SOLDER TAIL: STEEL.
 - MYLAR: SILICONE POLYMER.
- FINISH:
 - CONTACTS: (SEE TABLE) GOLD PLATED ON CONTACT AREA. GOLD FLASH ON SOLDER TAIL. 1.27µm [50u"] MIN. NICKEL UNDERPLATED OVERALL.
 - SHELL: 0.508µm [20u"] MIN. NICKEL PLATED.
 - LED: 1.02µm [40u"] COPPER UNDERPLATED OVERALL. 0.2032µm [8u"] NICKEL OVERALL. 0.254µm [10u"] SILVER ON BONDING AREA. 0.2032µm [80u"] BRIGHT-TIN ON SOLDER AREA.
- LED MUST BE REFLOW COMPATIBLE TO FOLLOWING TEMPERATURE PROFILE (FOR 1 CYCLE): ABOVE 160°C FOR 120 SECONDS, PEAKING AT 220°C FOR 10 SECONDS.
- LED DEFECT RATE IS 6000 PPM MAX. AFTER IR REFLOW PROCESS AS NOTE 3.
- WAVE SOLDER CAPABLE TO 265°C PER TE SPEC 109-202, CONDITION B.

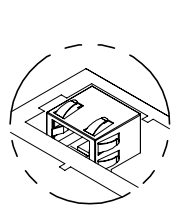
TAPE & REEL	GREEN/YELLOW	GREEN/YELLOW	1.27µm[50u"]	6-1734324-9
	TRAY	GREEN/ORANGE	YELLOW	1.27µm[50u"]
0.762µm[30u"]				6-1734324-7
0.381µm[15u"]				6-1734324-6
0.152µm[6u"]				6-1734324-5
1.27µm[50u"]				6-1734324-4
0.762µm[30u"]				6-1734324-3
PACKAGE	POSITION 2	POSITION 1	MIN. GOLD THICKNESS	PART NUMBER
	INDICATOR COLOR			

THIS DRAWING IS A CONTROLLED DOCUMENT.

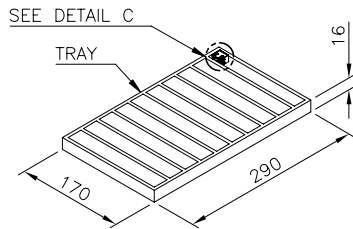
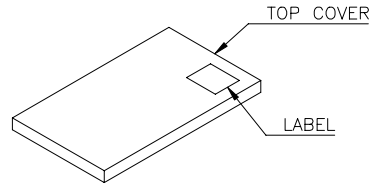
DIMENSIONS: mm	TOLERANCES UNLESS OTHERWISE SPECIFIED:	DWN	TE Connectivity
0 PLC ±0.3	1 PLC ±0.2	CHK	NAME
2 PLC ±0.15	3 PLC ±0.15	APVD	MODULAR JACK CONNECTOR
4 PLC ±0.15	ANGLES ±3°	PRODUCT SPEC	RJ45 WITH LED, 8P8C, SHIELDED
MATERIAL	FINISH	APPLICATION SPEC	TAB DOWN, DIP TYPE, H=11.3mm
		WEIGHT	SIZE A3
		CUSTOMER DRAWING	CAGE CODE 00779
			DRAWING NO. 1734324
			RESTRICTED TO
			SCALE
			SHEET 5 OF 7
			REV A6

THIS DRAWING IS UNPUBLISHED. RELEASED FOR PUBLICATION
 © COPYRIGHT 2010 BY TYCO ELECTRONICS CORPORATION. ALL RIGHTS RESERVED.

LOC DW	DIST	REVISIONS		
P	LTR	DESCRIPTION	DATE	DWN
		SEE SHEET 1.		APVD

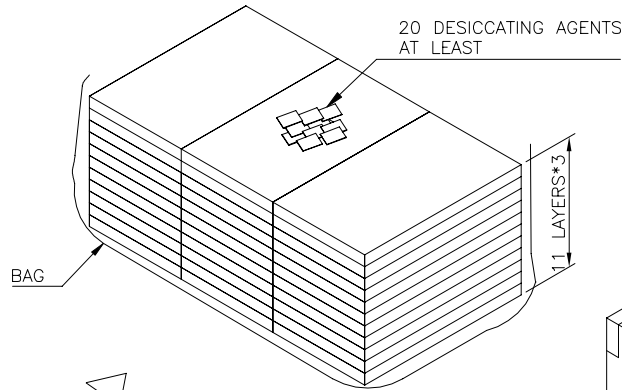


DETAIL C

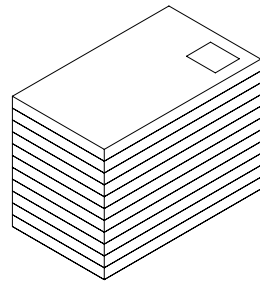
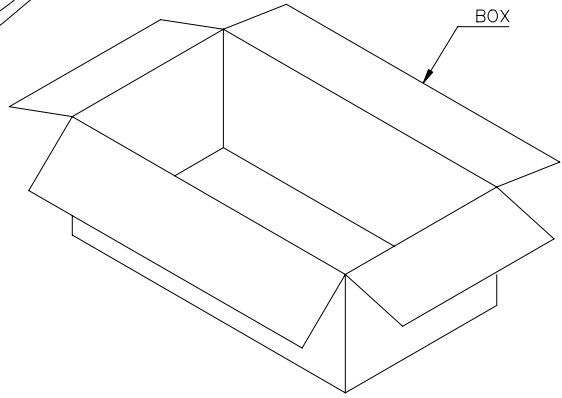
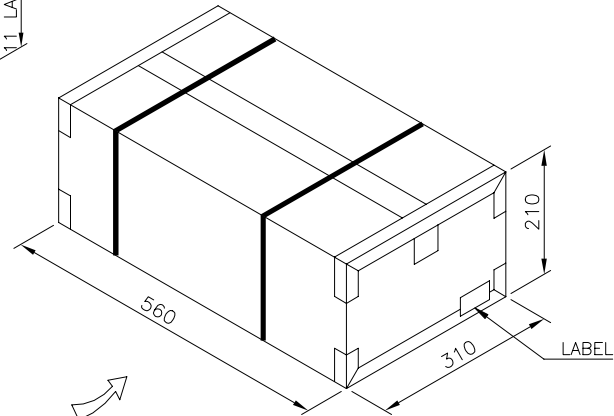


SEE DETAIL C

TRAY



20 DESICCATING AGENTS AT LEAST



13Kg	11.1Kg	80	33	2640	6-1734324-1~4
14.5Kg	12.5Kg	90	33		7-1734324-X
					4-1734324-X
					2-1734324-X
					1734324-X
GROSS WEIGHT	NET WEIGHT	PCS /TRAY	TRAY /BOX	PCS /BOX	PART NUMBER

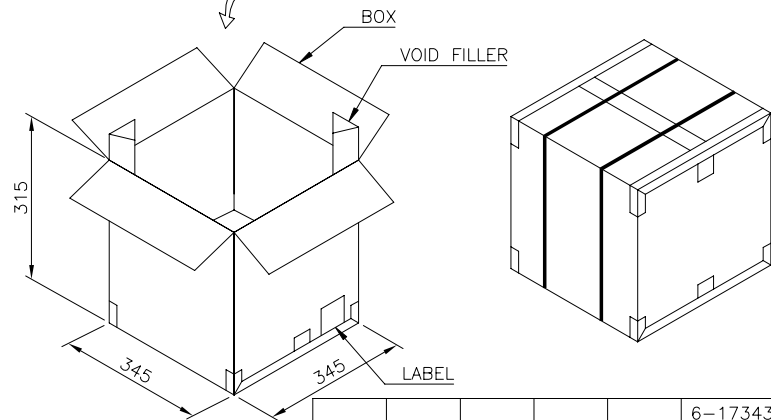
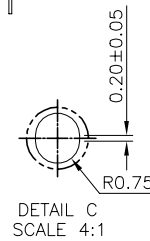
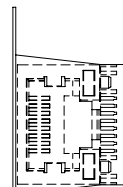
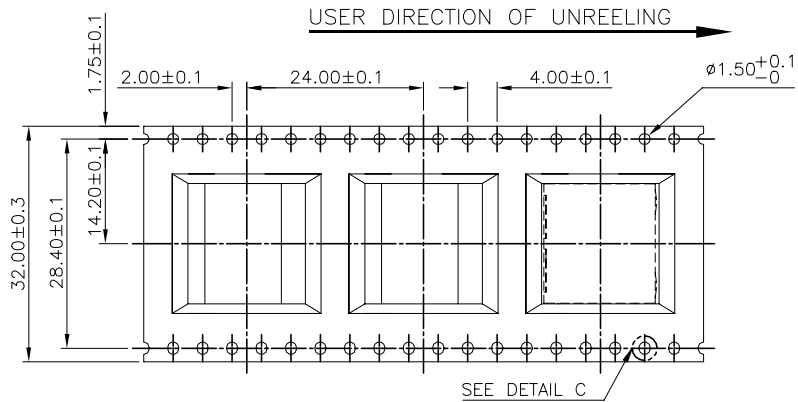
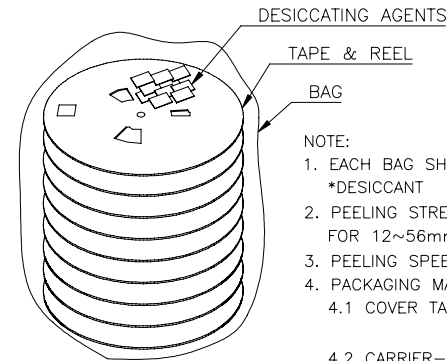
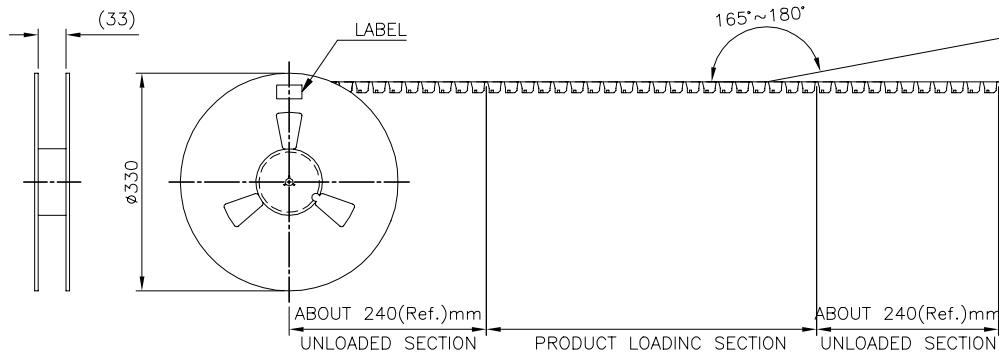
- NOTES:
 1. MATERIAL:
 TRAY: PVC.
 BOX: CORRUGATED FIBER.
 2. DIMENSION: SEE DRAWING
 3. QUANTITY: SEE TABLE
 4. WEIGHT: SEE TABLE

THIS DRAWING IS A CONTROLLED DOCUMENT.

DIMENSIONS: mm	TOLERANCES UNLESS OTHERWISE SPECIFIED: 0 PLC ± .3 1 PLC ± 0.2 2 PLC ± 0.15 3 PLC ± .15 4 PLC ANGLES ± 3'	DWN	TE Connectivity		
MATERIAL	FINISH	CHK	NAME		
		APVD	MODULAR JACK CONNECTOR RJ45 WITH LED, 8P8C, SHIELDED TAB DOWN, DIP TYPE, H=11.3mm		
		PRODUCT SPEC	SIZE	CAGE CODE	DRAWING NO
		APPLICATION SPEC	A3	00779	C=1734324
		WEIGHT	CUSTOMER DRAWING		RESTRICTED TO
			SCALE	SHEET	6 OF 7 REV A6

THIS DRAWING IS UNPUBLISHED. RELEASED FOR PUBLICATION
 © COPYRIGHT 2010 BY TYCO ELECTRONICS CORPORATION. ALL RIGHTS RESERVED.

LOC	DIST	REVISIONS					
DW		P	LTR	DESCRIPTION	DATE	DWN	APVD
		SEE SHEET 1.					



8.5KG	6.1KG	180	8	1440	6-1734324-5~9
					3-1734324-X
					1-1734324-X
GROSS WEIGHT	NET WEIGHT	PCS /REEL	REEL /BOX	PCS /BOX	PART NUMBER

THIS DRAWING IS A CONTROLLED DOCUMENT.		DWN	TE Connectivity			
DIMENSIONS: mm		CHK	NAME			
TOLERANCES UNLESS OTHERWISE SPECIFIED:		APVD	MODULAR JACK CONNECTOR RJ45 WITH LED, 8P8C, SHIELDED TAB DOWN, DIP TYPE, H=11.3mm			
MATERIAL		PRODUCT SPEC	SIZE	CAGE CODE	DRAWING NO	RESTRICTED TO
FINISH		APPLICATION SPEC	A3	00779	C=1734324	
		WEIGHT	SCALE		SHEET	REV
		CUSTOMER DRAWING	7 OF 7		A6	

X-ON Electronics

Largest Supplier of Electrical and Electronic Components

Click to view similar products for [DIP Switches/SIP Switches](#) category:

Click to view products by [TE Connectivity](#) manufacturer:

Other Similar products are found below :

[78M03S](#) [79B10T](#) [8136-475G4T](#) [G7G-1A2-CB-DC12](#) [H7CZL8AC100240](#) [A7SS-M](#) [A8CA-201](#) [DRR60016](#) [DRS4016](#) [1825008-1](#) [1825444-1](#) [25.350.0653.0](#) [SBS 5004 TG](#) [SDA10H1BDA](#) [97R06ST](#) [A2C-2A5](#) [1825444-7](#) [ADE08SA04](#) [ADE12S04](#) [192960010](#) [2-1825058-8](#) [25.330.0653.1](#) [25.352.0353.0](#) [CXDRIVEV2X](#) [IKN0600000](#) [IKN0800000](#) [LA2-002-DC24](#) [DBS1003](#) [438872000](#) [DRD10CRAE04](#) [DSR02T](#) [DSS 208 N](#) [E2FMX2D1M1TGJ03M](#) [NDI10H](#) [219-9MSTP](#) [204-6ES](#) [EPM02FV](#) [701521596](#) [NDS08V](#) [76SB05](#) [79A10](#) [TD06H0SK1](#) [Z7.255.9027.0](#) [1-1825058-3](#) [1825428-4](#) [219-10LPSTF](#) [E3ZG6111D03M](#) [G4D212PUSTV2DC5](#) [195-7MSTN](#) [NDI05H](#)