

4

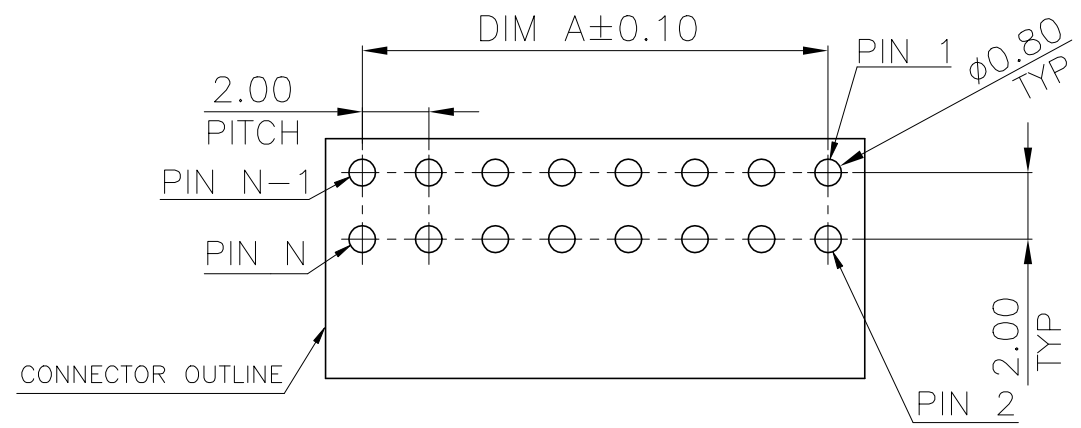
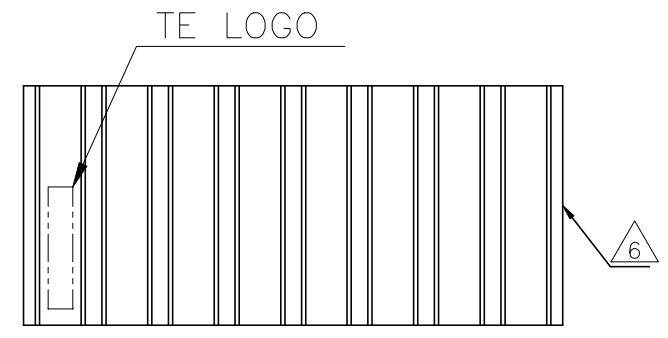
3

2

1

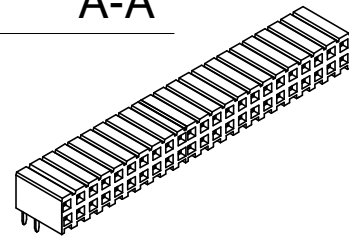
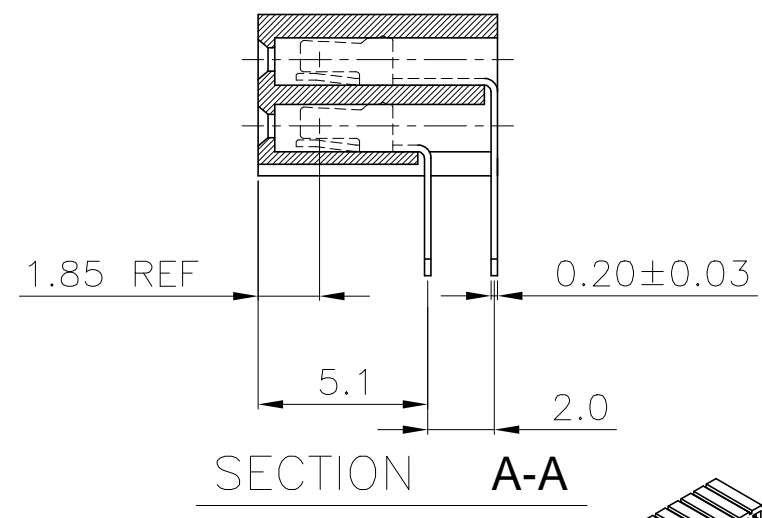
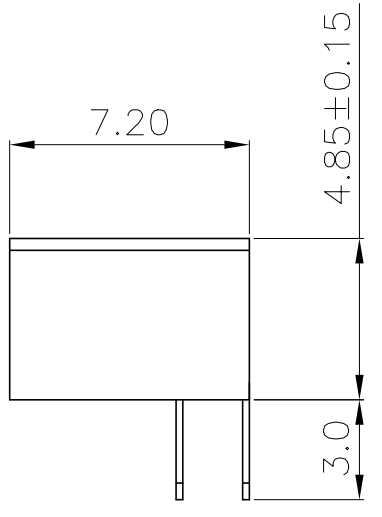
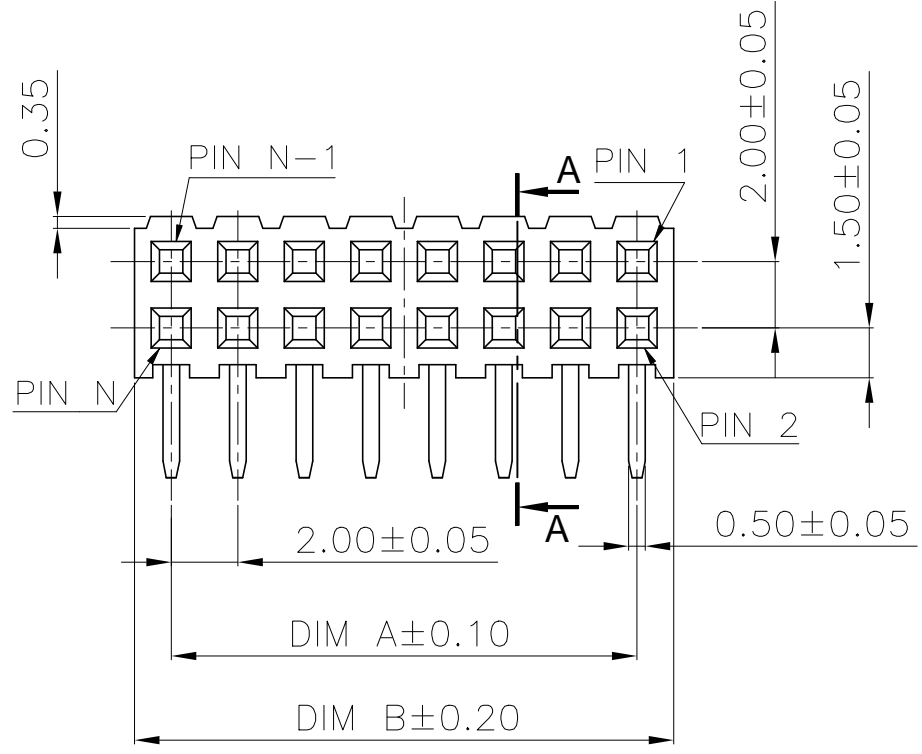
THIS DRAWING IS UNPUBLISHED  
RELEASED FOR PUBLICATION  
ALL RIGHTS RESERVED.

P	LTR	DESCRIPTION	DATE	DWN	APVD
	D5	OBSOLETE 1734531-9	17OCT19	AY	PS



DIM A	DIM B	POSITION NUMBER	PART NUMBER		
OBSOLETE	78.00	80.20	80	8-	-0
	76.00	78.20	78	7-	-8
	74.00	76.20	76	7-	-6
	72.00	74.20	74	7-	-4
	70.00	72.20	72	7-	-2
	68.00	70.20	70	7-	-0
	66.00	68.20	68	6-	-8
	64.00	66.20	66	6-	-6
	62.00	64.20	64	6-	-4
	60.00	62.20	62	6-	-2
	58.00	60.20	60	6-	-0
	56.00	58.20	58	5-	-8
	54.00	56.20	56	5-	-6
	52.00	54.20	54	5-	-4
OBSOLETE	50.00	52.20	52	5-	-2
	48.00	50.20	50	5-	-0
	46.00	48.20	48	4-	-8
	44.00	46.20	46	4-	-6
	42.00	44.20	44	4-	-4
	40.00	42.20	42	4-	-2
	38.00	40.20	40	4-	-0
	36.00	38.20	38	3-	-8
OBSOLETE	34.00	36.20	36	3-	-6
	32.00	34.20	34	3-	-4
	30.00	32.20	32	3-	-2
	28.00	30.20	30	3-	-0
OBSOLETE	26.00	28.20	28	2-	-8
	24.00	26.20	26	2-	-6
	22.00	24.20	24	2-	-4
	20.00	22.20	22	2-	-2
	18.00	20.20	20	2-	-0
	16.00	18.20	18	1-	-8
	14.00	16.20	16	1-	-6
	12.00	14.20	14	1-	-4
	10.00	12.20	12	1-	-2
	8.00	10.20	10	1-	-0
OBSOLETE	6.00	8.20	8		1734531-8
	4.00	6.20	6		1734531-6
	2.00	4.20	4		1734531-4

5 RECOMMENDED PCB LAYOUT  
TOLERANCE ± 0.05 (TOP VIEW)



NOTE :

1 MATERIAL :  
HOUSING : THERMOPLASTIC, UL94V-0, BLACK COLOR  
CONTACT : PHOSPHOR BRONZE, THICKNESS=0.20mm.

2 FINISH :  
CONTACT: 0.254mm [10m"] MIN. GOLD PLATED ON CONTACT AREA  
2.54mm [100m"] MIN. BRIGHT TIN PLATED ON SOLDER TAIL,  
1.27mm [50m"] MIN. NICKEL UNDERPLATED OVER ALL

3 APPLICATION :  
SOLDERTAIL LENGTH 2.6 FOR PCB THICKNESS 1.6±0.1

4 WAVE SOLDER CAPABLE TO 265°C PER TE SPEC 109-202, CONDITION B

5 NO CUMULATIVE TOLERANCE

6 DATECODE: YY WW D \*  
ASS'Y LINE NO.  
DAY  
WEEK CODE  
YEAR

7 QUALIFICATION TEST REPORT: 501-57197

THIS DRAWING IS A CONTROLLED DOCUMENT.		DWN	O.HU	05JUL2005	 TE Connectivity Ltd.
DIMENSIONS: mm		CHK	S.HOU	05JUL2005	
TOLERANCES UNLESS OTHERWISE SPECIFIED:		APVD	W.J.KE	05JUL2005	
0 PLC ± 0.5 1 PLC ± 0.2 2 PLC ± 0.1 3 PLC ± 0.05 4 PLC ± - ANGLES ± 3°		PRODUCT SPEC 108-57197		NAME AMPMODU 2.0mm PITCH, RCPT CONN., RIGHT-ANGLE, MOUNT TYPE	
MATERIAL	1	FINISH	2	APPLICATION SPEC -	SIZE A3
		WEIGHT	-		CAGE CODE 00779
		CUSTOMER DRAWING		DRAWING NO 1734531	RESTRICTED TO -
		SCALE	1:1		SHEET 1 OF 3
				REV D5	

4

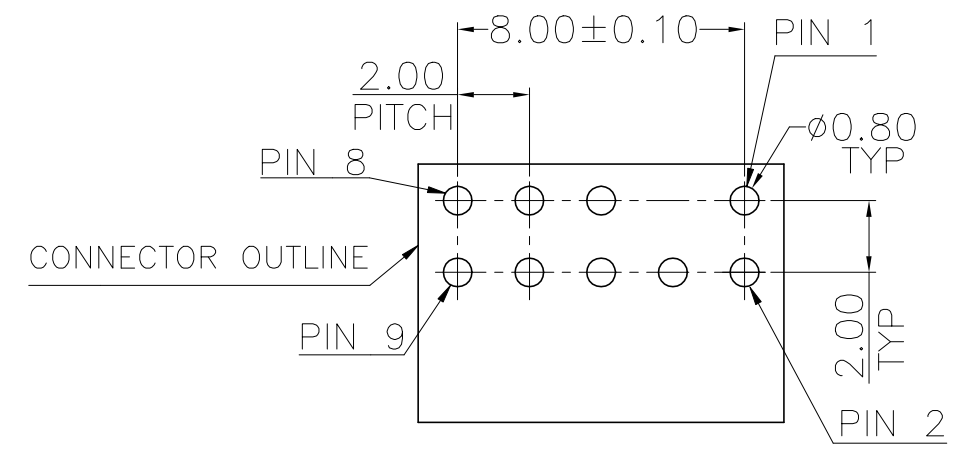
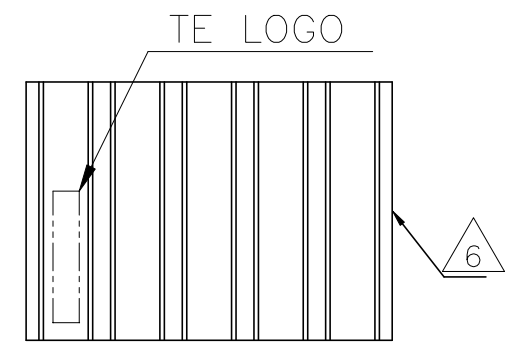
3

2

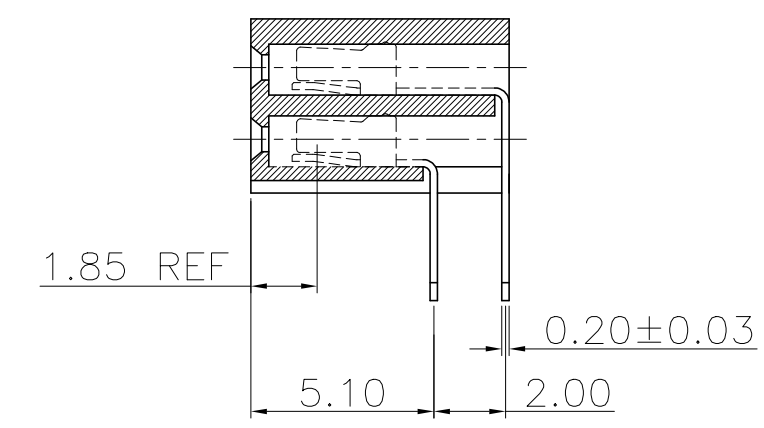
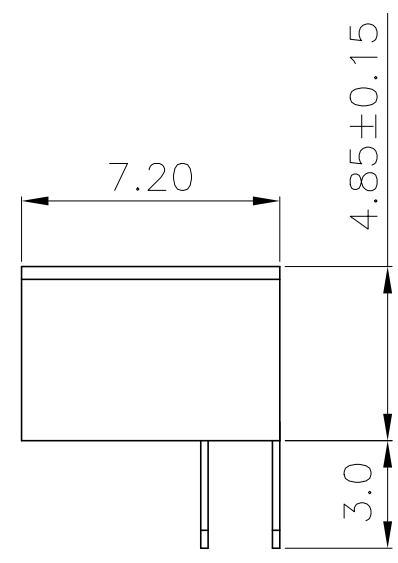
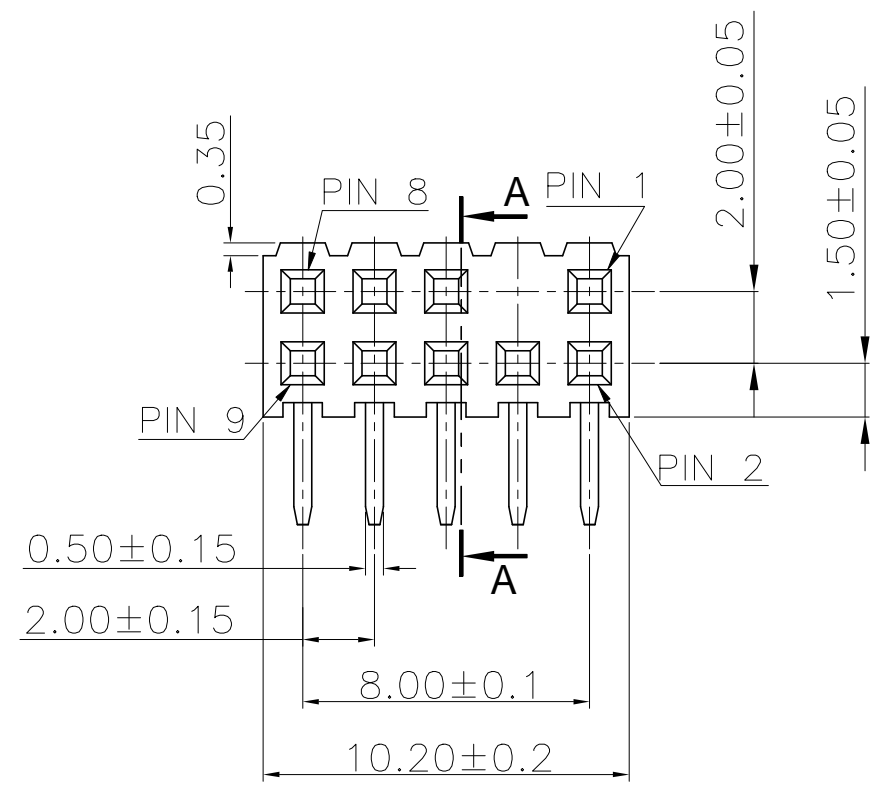
1

THIS DRAWING IS UNPUBLISHED  
 RELEASED FOR PUBLICATION  
 © COPYRIGHT - By - ALL RIGHTS RESERVED.

REVISIONS					
P	LTR	DESCRIPTION	DATE	DWN	APVD
-	-	SEE SHEET 1	-	-	-



△ 5 RECOMMENDED PCB LAYOUT  
 TOLERANCE ± 0.05 (TOP VIEW)



SECTION A-A

OBSOLETE	9	1734531-9
POSITION NUMBER		PART NUMBER

THIS DRAWING IS A CONTROLLED DOCUMENT.		DWN O.HU 05JUL2005	TE Connectivity Ltd.					
DIMENSIONS: mm		CHK S.HOU 05JUL2005						
TOLERANCES UNLESS OTHERWISE SPECIFIED:		APVD W.J.KE 05JUL2005	NAME AMPMODU 2.0mm PITCH, RCPT CONN., RIGHT-ANGLE, MOUNT TYPE					
0 PLC ± 0.5 1 PLC ± 0.2 2 PLC ± 0.1 3 PLC ± 0.05 4 PLC ± - ANGLES ± 3°		PRODUCT SPEC 108-57197	SIZE A3	CAGE CODE 00779	DRAWING NO 1734531	RESTRICTED TO -		
MATERIAL SEE SHEET 1	FINISH SEE SHEET 1	APPLICATION SPEC -	WEIGHT -	CUSTOMER DRAWING		SCALE 1:1	SHEET 2 of 3	REV D5

4

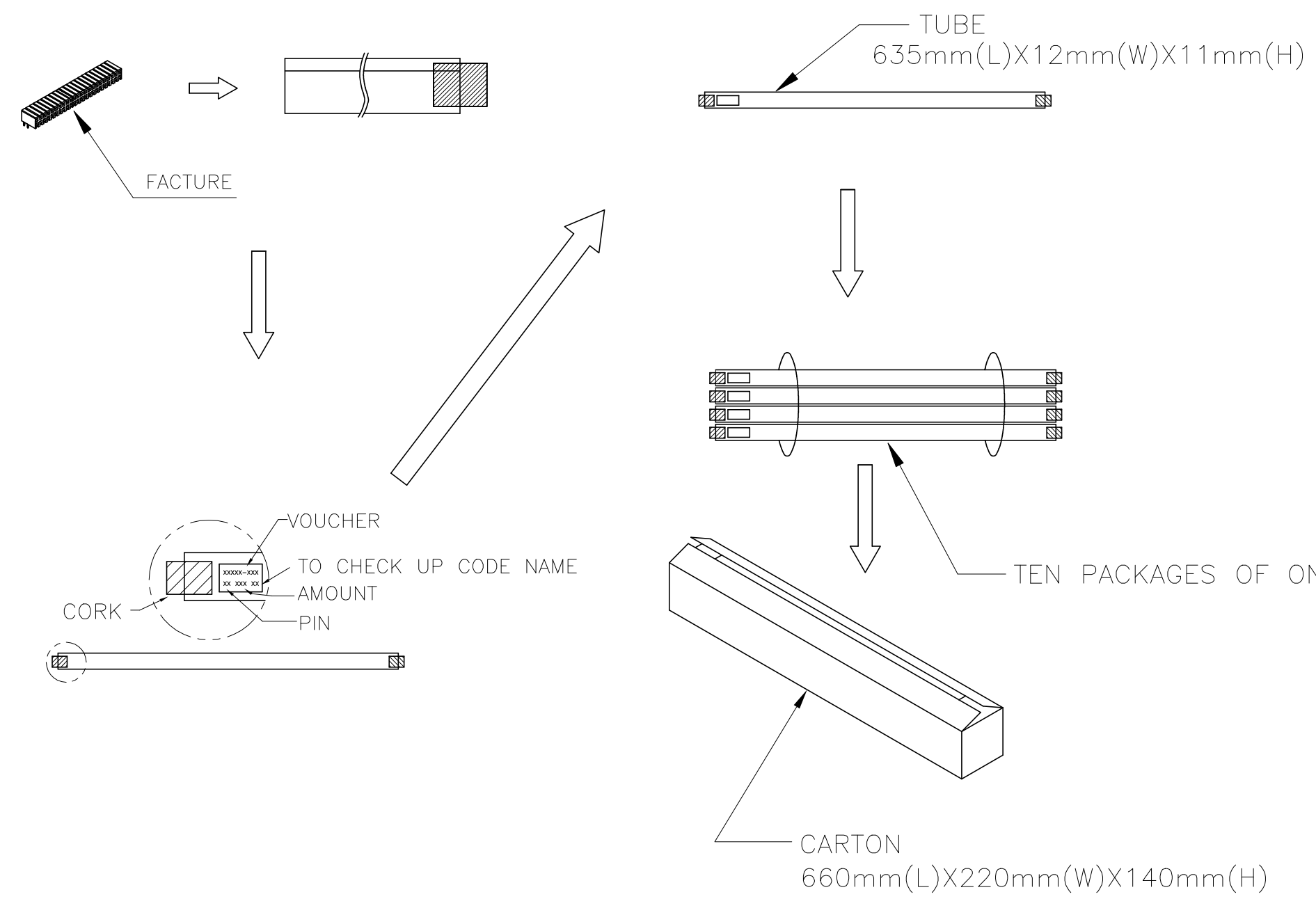
3

2

1

THIS DRAWING IS UNPUBLISHED  
 RELEASED FOR PUBLICATION  
 ALL RIGHTS RESERVED.

REVISIONS				
P	LTR	DESCRIPTION	DATE	APVD
-	-	SEE SHEET 1	-	-



OBSOLETE	1050	150	7	80	8	-0
	1050	150	7	78	7	-8
	1050	150	7	76	7	-6
	1200	150	8	74	7	-4
	1200	150	8	72	7	-2
	1200	150	8	70	7	-0
	1200	150	8	68	6	-8
	1350	150	9	66	6	-6
	1350	150	9	64	6	-4
	1350	150	9	62	6	-2
	1500	150	10	60	6	-0
	1500	150	10	58	5	-8
	1500	150	10	56	5	-6
	1650	150	11	54	5	-4
OBSOLETE	1650	150	11	52	5	-2
	1800	150	12	50	5	-0
	1800	150	12	48	4	-8
	1950	150	13	46	4	-6
	1950	150	13	44	4	-4
	2100	150	14	42	4	-2
	2100	150	14	40	4	-0
	2250	150	15	38	3	-8
OBSOLETE	2400	150	16	36	3	-6
	2550	150	17	34	3	-4
	2700	150	18	32	3	-2
	2850	150	19	30	3	-0
	3150	150	21	28	2	-8
OBSOLETE	3300	150	22	26	2	-6
	3600	150	24	24	2	-4
	3900	150	26	22	2	-2
	4350	150	29	20	2	-0
	4800	150	32	18	1	-8
	5400	150	36	16	1	-6
	6150	150	41	14	1	-4
	7200	150	48	12	1	-2
	8550	150	57	10	1	-0
OBSOLETE	8550	150	57	9	-	1734531-9
OBSOLETE	10650	150	72	8	-	1734531-8
	14400	150	96	6	-	1734531-6
	21600	150	144	4	-	1734531-4
QTY	TUBE/ CARTON	PCS/ TUBE	POSITION NUMBER	PART NUMBER		

THIS DRAWING IS A CONTROLLED DOCUMENT.		DWN O.HU 05JUL2005	TE Connectivity Ltd.		
DIMENSIONS: mm		CHK S.HOU 05JUL2005			
TOLERANCES UNLESS OTHERWISE SPECIFIED:		APVD W.J.KE 05JUL2005	NAME AMPMODU 2.0mm PITCH, RCPT CONN., RIGHT-ANGLE, MOUNT TYPE		
0 PLC ± 0.5 1 PLC ± 0.2 2 PLC ± 0.1 3 PLC ± 0.05 4 PLC ± - ANGLES ± 3°		PRODUCT SPEC 108-57197	SIZE A3	CAGE CODE 00779	DRAWING NO 1734531
MATERIAL SEE SHEET 1		FINISH SEE SHEET 1	APPLICATION SPEC -	RESTRICTED TO -	
		WEIGHT -	CUSTOMER DRAWING		
			SCALE 1:1	SHEET 3 of 3	REV D5

## X-ON Electronics

Largest Supplier of Electrical and Electronic Components

*Click to view similar products for [Board to Board & Mezzanine Connectors](#) category:*

*Click to view products by [TE Connectivity](#) manufacturer:*

Other Similar products are found below :

[589158040000018](#) [MDF7C-18P-2.54DSA\(55\)](#) [FCN-230C068-11](#) [FCN-268F012-G/BD](#) [FCN-268F036-G/BD](#) [FCN-268M012-G/0D](#) [FCN-268M024-G/1D](#) [FCN-723J004/1](#) [MIS-048-01-F-D-DP-K](#) [832-10-034-10-001000](#) [FX4C-80S-1.27DSA](#) [FCN-214Q030-G/0](#) [FCN-234P048-G/0](#) [FCN-235D050-G/C](#) [210-93-314-41-105000](#) [2-22603-0](#) [MDF7-40DP-2.54DSA\(55\)](#) [AXG720047](#) [5031084030](#) [MIT-114-03-F-D-K](#) [55323-1519](#) [DF33-2P-3.3DSA\(24\)](#) [YFT-20-05-H-03-SB-K](#) [503308-3040](#) [026-6203-PDB](#) [027-6203-PDB](#) [069159702701000](#) [10123981-102LF](#) [101A10019X](#) [55650-0588-C](#) [68684-306](#) [75140-7012](#) [589159005003045](#) [194261-1](#) [FCN-268F024-G0D](#) [10124054-515LF](#) [68685-603](#) [8-1616154-3](#) [MIS-019-01-F-D](#) [589159005002045](#) [541371078](#) [IL-WX-10PB-HF-B-E1000E](#) [FCN-268M024-G/3D](#) [20021832-06016C1LF](#) [KX15-20KLDL-E1000E](#) [MDF7-16DP-2.54DSA\(55\)](#) [AXE810124](#) [FCN-214J100-G/0](#) [FCN-230C068-E/S](#) [AXE812124](#)