

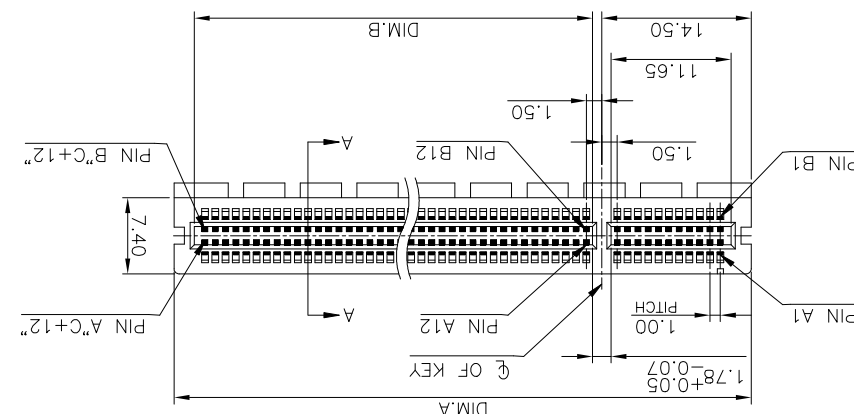
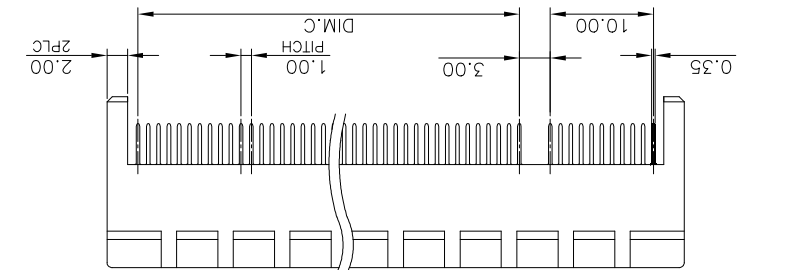
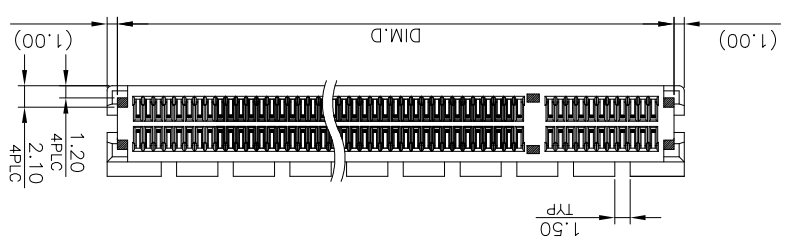
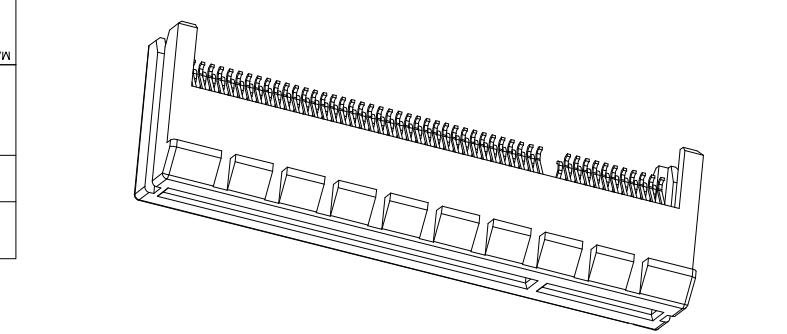
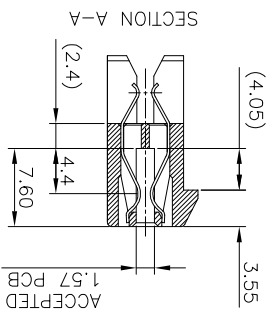
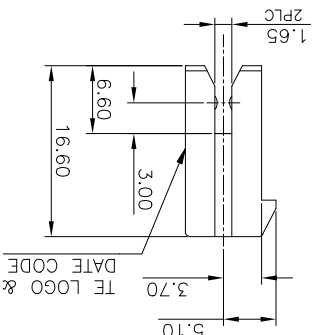
THIS DRAWING IS A CONTROLLED DOCUMENT.		DMN 05JUN2009		B. HSING		S. CHIEN		APVD W. KODAMA		05JUN2009		NAME		TE Connectivity Ltd.	
DIMENSIONS: mm		TOLERANCES UNLESS OTHERWISE SPECIFIED:		CHK B. HSING		S. CHIEN		APVD W. KODAMA		05JUN2009		NAME		TE Connectivity Ltd.	
MATERIAL		FINISH		WEIGHT		SIZE		CAGE CODE		DRAWING NO		RESTRICTED TO		REV C	
SEE NOTE		SEE NOTE		0		A3		00779		=1734857		SCALE 1:1		SHEET 1 OF 4	
CUSTOMER DRAWING		CUSTOMER DRAWING		108-57854		108-57854		PCI EXPRESS CARD EDGE CONNECTOR		STRADDLE MOUNT TYPE		SCALE 1:1		SHEET 1 OF 4	

COLOR	DIMENSIONS				COLOR	
	D	C	B	A		
BLACK	87	70	71.65	89	164	8-X
	54	37	38.65	56	98	7-X
	37	20	21.65	39	64	6-X
	23	6	7.65	25	36	5-X
WHITE (NATURE)	87	70	71.65	89	164	4-X
	54	37	38.65	56	98	3-X
	37	20	21.65	39	64	2-X
	23	6	7.65	25	36	1-1734857-X

POSITION NUMBER	PART NUMBER	PLATING	GOLD PART NUMBER
87	X-1734857-5	0.762µm [30u"] MIN.	X-1734857-1
54	X-1734857-4	0.381µm [15u"] MIN.	X-1734857-3
37	X-1734857-3	0.254µm [10u"] MIN.	X-1734857-2
23	X-1734857-2	0.127µm [5u"] MIN.	X-1734857-1

NOTE:  
 1. MATERIAL: NY9T UL 94V-0, COLOR: (SEE TABLE).  
 CAP: LCP UL 94V-0, COLOR: BLACK.  
 CONTACTS: PHOSPHOR BRONZE.  
 2. FINISH:  
 CONTACTS: (SEE TABLE) GOLD PLATED ON CONTACT AREA,  
 2.54µm [100u"] MIN. MATTE-TIN ON SOLDER TAIL,  
 WITH ENTIRE CONTACT UNDERPLATED 1.27µm [50u"] MIN. NICKEL.  
 3. REFLOW SOLDER CAPABLE TO 260°C PER TEST SPEC.  
 TEC-109-201, CONDITION B.  
 4. WEIGHT:  
 36 POS.: 2.9 GRAMS  
 64 POS.: 4.0 GRAMS  
 98 POS.: 5.4 GRAMS  
 164 POS.: 9.1 GRAMS  
 FOR REFLOW PROCESS, THE CAP MUST BE ATTACHED,  
 IT WILL PROTECT HOUSING WARPAGE.

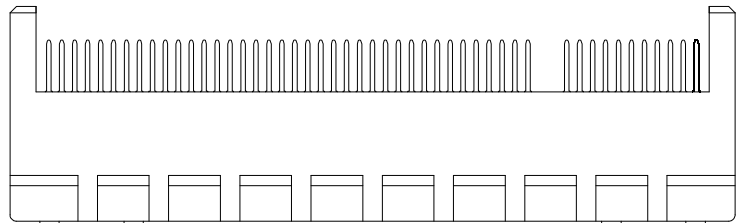
REV	DESCRIPTION	DATE	DMN	APVD
1	REVISIONS	10JAN2018	FL	HL
2	EGR-17-013893		C	



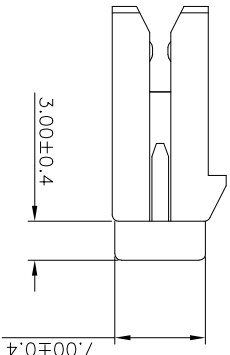
POSITION	DIM F
164	84.4
98	51.4
64	34.4
36	20.4

MATERIAL		SEE NOTE	
FINISH		SEE NOTE	
0 PLC ±	0	WEIGHT	0
1 PLC ±0.3	±	SIZE	A3
2 PLC ±0.2	±	CAGE CODE	00779
3 PLC ±0.15	±	DRAWING NO	1734857
4 PLC ±0.3	±	SCALE	1:1
ANGLES	± 0.3	SHEET	2 of 4
TOLERANCES UNLESS OTHERWISE SPECIFIED:		REV	C
DIMENSIONS: mm		CUSTOMER DRAWING	
THIS DRAWING IS A CONTROLLED DOCUMENT.			
DWG: B. HSING		APVD: W. KODAMA	
CHK: S. CHIEN		PRODUCT SPEC	
NAME: B. HSING		APPLICATION SPEC	
05JUN2009		108-57854	
05JUN2009		PCI EXPRESS CARD EDGE CONNECTOR	
05JUN2009		STRADDLE MOUNT TYPE	
TE Connectivity Ltd.		RESTRICTED TO	

ASSEMBLY WITH CAP CONDITION

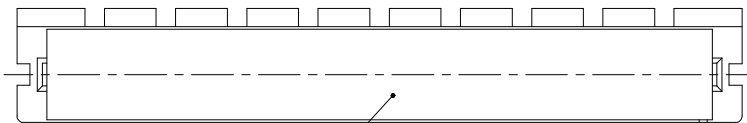
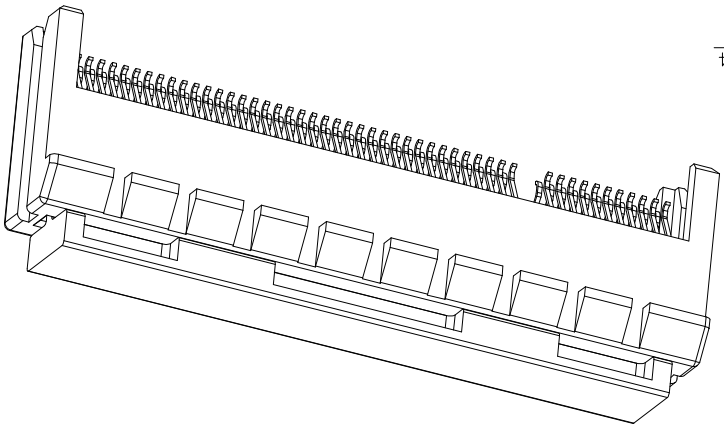


DIM. F±0.4



7.00±0.4

3.00±0.4



5 CAP

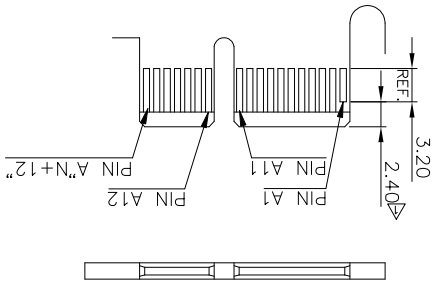
REV	DATE	DESCRIPTION	APVD
1		REVISIONS	
2		SEE SHEET 1	

THIS DRAWING IS UNPUBLISHED. RELEASED FOR PUBLICATION  
 COPYRIGHT - TE Connectivity Ltd. ALL RIGHTS RESERVED.

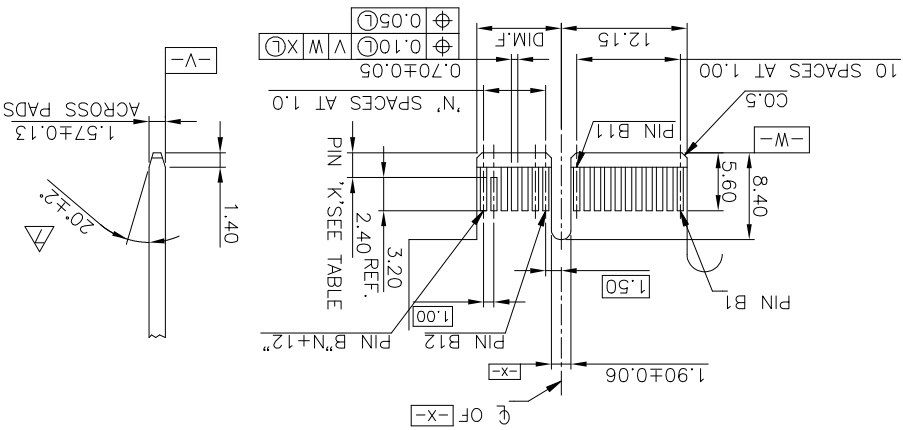
MATERIAL		SEE NOTE	
FINISH		SEE NOTE	
4 PL	±		
3 PL	±		
2 PL	±		
1 PL	±		
0 PL	±		
DIMENSIONS: mm		THIS DRAWING IS A CONTROLLED DOCUMENT.	
TOLERANCES UNLESS OTHERWISE SPECIFIED:		DWN 05JUN2009	
APVD W. KODAMA		CHK S. CHIEN	
NAME		TE Connectivity Ltd.	
PCI EXPRESS CARD EDGE CONNECTOR STRADDLE MOUNT TYPE		APVD B. HSING	
DRAWING NO		CHK S. CHIEN	
CAGE CODE		DWN 05JUN2009	
DRAWING NO		CHK S. CHIEN	
RESTRICTED TO		DWN 05JUN2009	
REV		DWN 05JUN2009	
3 OF 4		CHK S. CHIEN	
SCALE		DWN 05JUN2009	
1:1		CHK S. CHIEN	
SHEET		DWN 05JUN2009	
CUSTOMER DRAWING		CHK S. CHIEN	

POS.	N	DIM.E	DIM.J	DIM.F	"K"
164	70	87.1	73.55	72.15	B17,B31,B48,B81
98	37	54.1	40.55	39.15	B17,B31,B48
64	20	37.1	23.55	22.15	B17,B31
36	6	23.1	9.55	8.15	B17

SECONDARY (SOLDER) SIDE  
PCI-E ADD-IN CARD EDGE-FINGER DIMENSION.

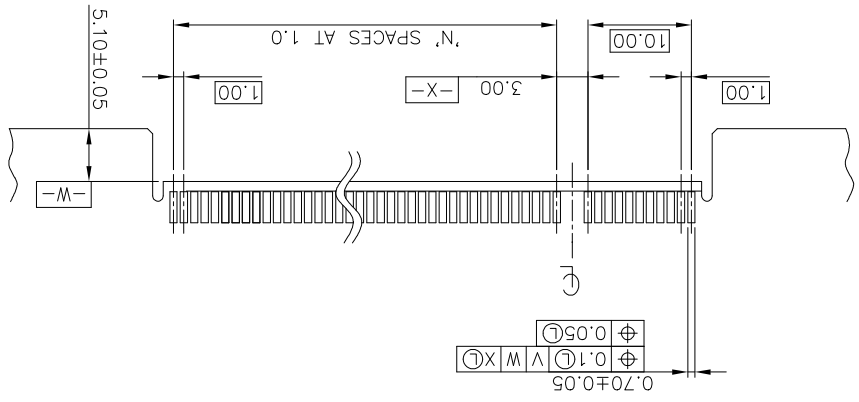
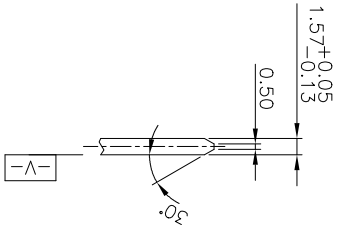
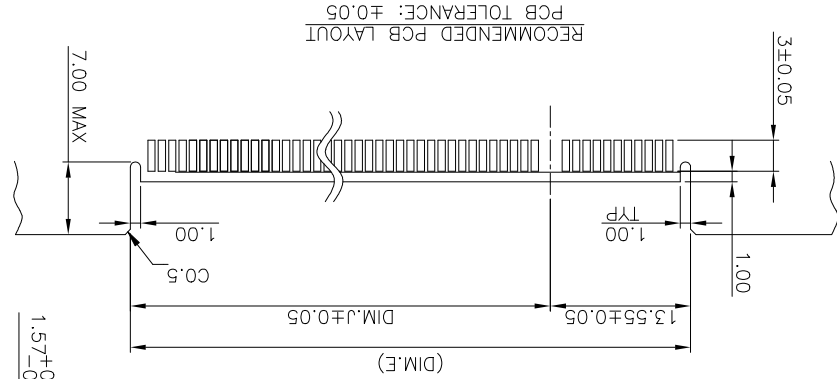


PRIMARY (COMPONENT) SIDE  
I/O PANEL DIRECTION



P	LTR	DESCRIPTION	DATE	APVD
-	-	SEE SHEET 1	-	-

6. NO THE BAR PERMITTED FROM CARD EDGE TO LEADING EDGE OF PAD FOR PINS A1 AND "K".  
CHAMFER EDGE MUST BE FREE OF CUTTING BURRS



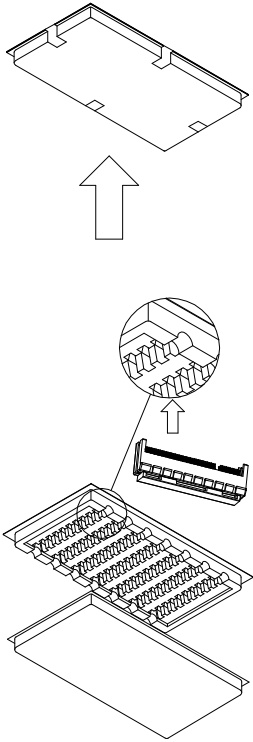
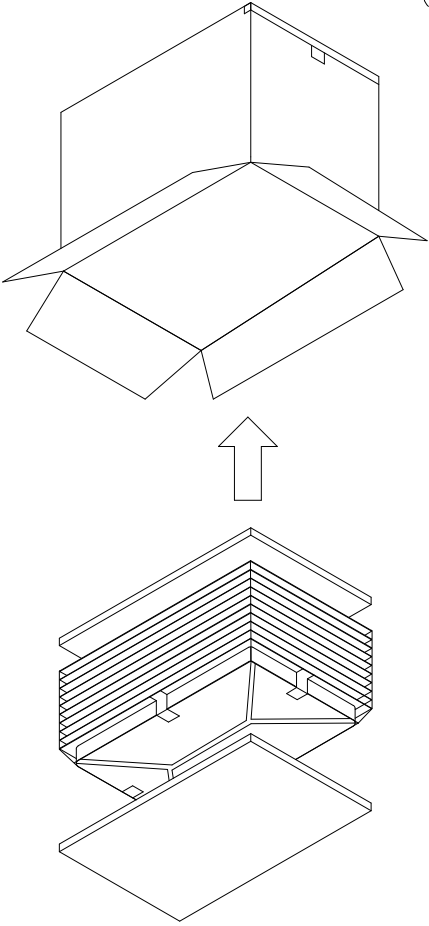
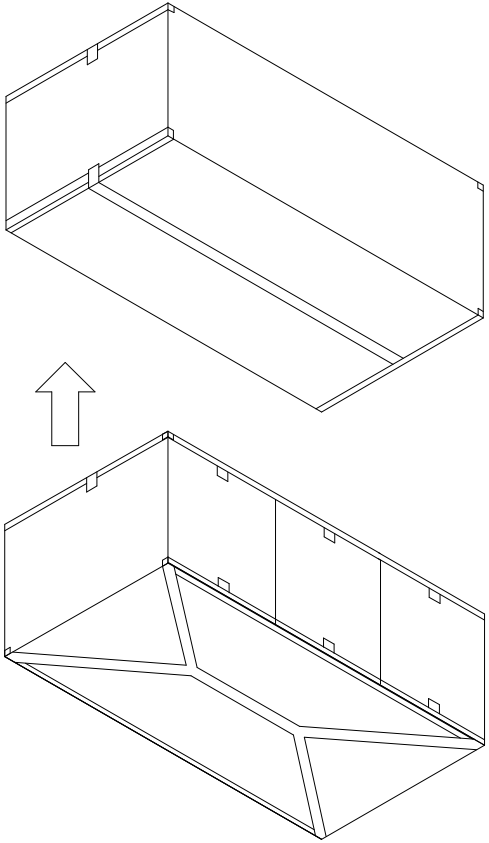
CUSTOMER DRAWING		SCALE	SHEET	REV
A3		1:1	4 of 4	C
WEIGHT	0	DRAWING NO	1734857	RESTRICTED TO
SIZE	A3	CAGE CODE	00779	
APPLICATION SPEC	108-57854	PRODUCT SPEC		
NAME	PCI EXPRESS CARD EDGE CONNECTOR STRADDLE MOUNT TYPE			
APVD	W. KODAMA	APVD	TE Connectivity Ltd.	
CHK	S. CHIEN	CHK		
DWN	B. HSING	DWN		

POS No.	PIECES PER TRAY	PIECES PER CARTON	PIECES PER BOX	NET WEIGHT (kg)	GROSS WEIGHT (kg)
164	30	300	900	8.2	12.1
98	40	400	1200	6.5	10.4
64	60	600	1800	7.2	11.1
36	70	700	2100	6.1	10.0

SEE NOTE		SEE NOTE	
MATERIAL		FINISH	
mm		0 PLC ±	
DIMENSIONS:		1 PLC ±	
TOLERANCES UNLESS OTHERWISE SPECIFIED:		2 PLC ±	
		3 PLC ±	
		4 PLC ±	
		ANGLES ± 3°	

THIS DRAWING IS A CONTROLLED DOCUMENT.

- NOTES:
1. TRAY : PVC, SIZE: 337mm(L) X 180mm(W) X 23.5mm(H).
  2. CARTON : CORRUGATED, SIZE: 353mm(L) X 199mm(W) X 223mm(H).
  3. CARTON TRANSPARENT BAG : PE, SIZE: 560mm(L) X 400mm(W) X 0.05mm(H).
  4. P.E SIZE: 336mm(L) X 182mm(W) X 8mm(H).
  5. BOX TRANSPARENT BAG : PE, SIZE: 600mm(L) X 590mm(W) X 0.06mm(H).
  6. BOX : CORRUGATED, SIZE: 603mm(L) X 371mm(W) X 240mm(H).
  7. QUANTITY: SEE TABL.



P	LTR	DESCRIPTION	DATE	DWN	APVD
-	-	SEE SHEET 1	-	-	-

THIS DRAWING IS UNPUBLISHED. RELEASED FOR PUBLICATION  
 COPYRIGHT - TE Connectivity Ltd. ALL RIGHTS RESERVED.

## X-ON Electronics

Largest Supplier of Electrical and Electronic Components

*Click to view similar products for [Standard Card Edge Connectors](#) category:*

*Click to view products by [TE Connectivity](#) manufacturer:*

Other Similar products are found below :

[6565204-6](#) [PKC-156](#) [1437274-4](#) [147889-1](#) [1489165-4](#) [EBT156-12B1X](#) [EBT15622B2X](#) [EBT156-22R2W](#) [1-582587-1](#) [1-582589-1](#) [2-6437275-9](#) [284-0102-12100](#) [306022901000000](#) [307-012-502-202](#) [307-024-526-201](#) [307-056-520-300](#) [307-080-526-208](#) [1926088-2](#) [245-062-520-350](#) [287-0032-12101](#) [306-010-500-112](#) [306-028-525-102](#) [306-240-318](#) [307-036-502-202](#) [307-036-521-301](#) [307-072-526-202](#) [345-060-559-303](#) [368-004-520-201](#) [392-008-559-201](#) [534671-1](#) [5-530501-5](#) [341-240-317](#) [345-029-520-300](#) [345-030-500-301](#) [345-044-500-300](#) [345-220-058](#) [346-240-318](#) [387-012-523-300](#) [395-044-520-300](#) [395-100-524-300](#) [50-12B-10](#) [50-6SN-5](#) [09-07-2032](#) [10035388-106LF](#) [10035388-802LF](#) [10115859-011LF](#) [10122859-009LF](#) [101269333204245CLF](#) [10127905-B04B24BLF](#) [530555-1](#)