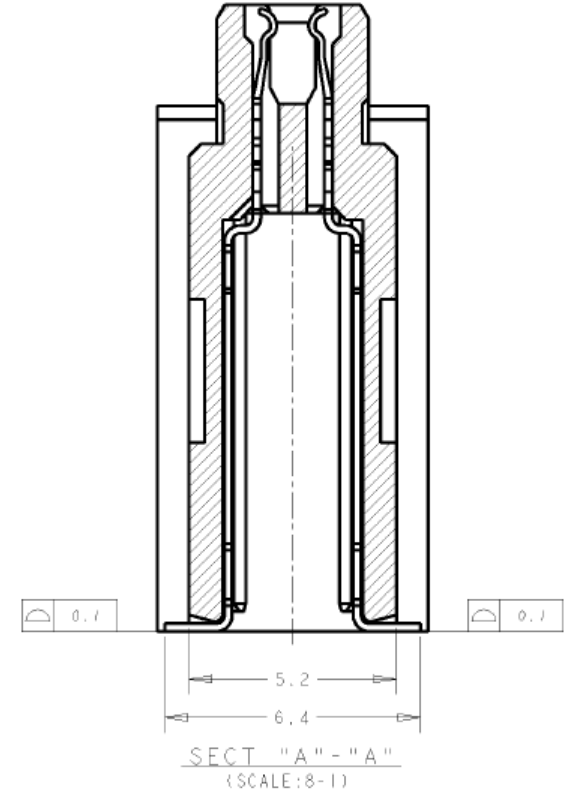
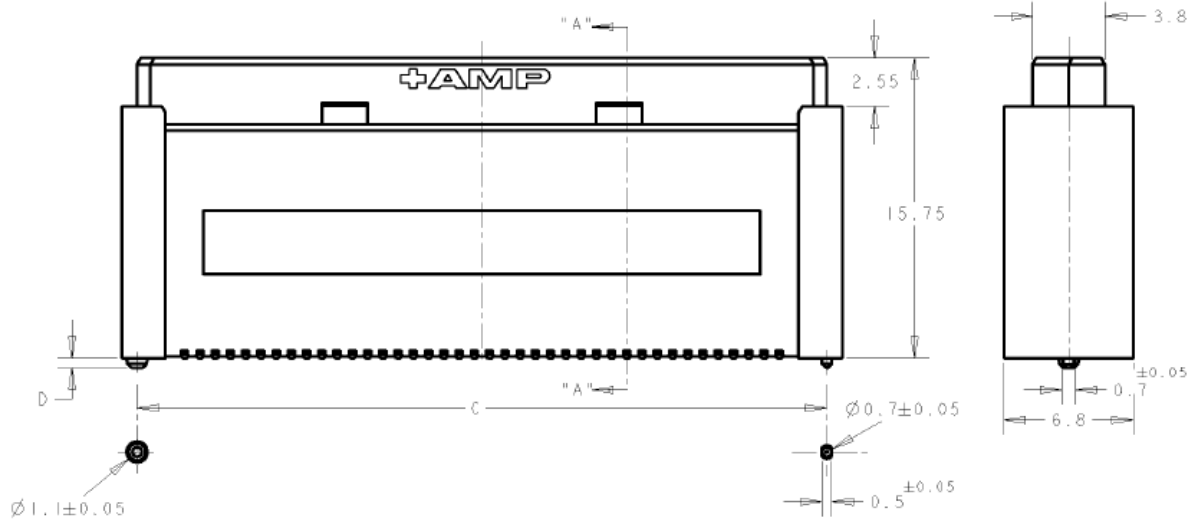
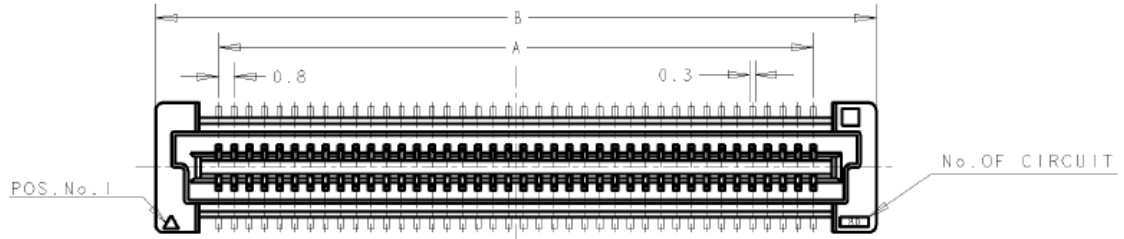
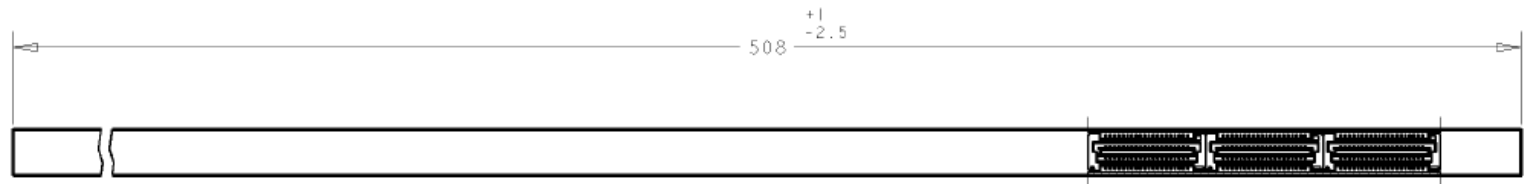


REVISIONS				
P	LTR	DESCRIPTION	DATE	DWN / APVD
	A3	OBSOLETE 150POS(ECO-20-009897)	1MAR2021	A.L / H.L



THIS DRAWING IS A CONTROLLED DOCUMENT.		DWN WYLEE	10JUL2007	TE TE Connectivity
		CHK YJ SEE	-	
DIMENSIONS: mm		TOLERANCES UNLESS OTHERWISE SPECIFIED:		RECEPTACLE 17MM HEIGHT FH 0.8MM PITCH B-T-B CONNECTOR IN TUBE
		0 PLC	± -	
		1 PLC	± 0.30	
		2 PLC	± 0.25	
		3 PLC	± 0.20	
MATERIAL		4 PLC	± -	RESTRICTED TO -
FINISH		ANGLES	± 3°	
- 1		- 2		SIZE A3
CUSTOMER DRAWING		CAGE CODE 00779		DRAWING NO C=1735480
		WEIGHT -		SCALE 4:1
		SHEET 1 OF 3		REV A3

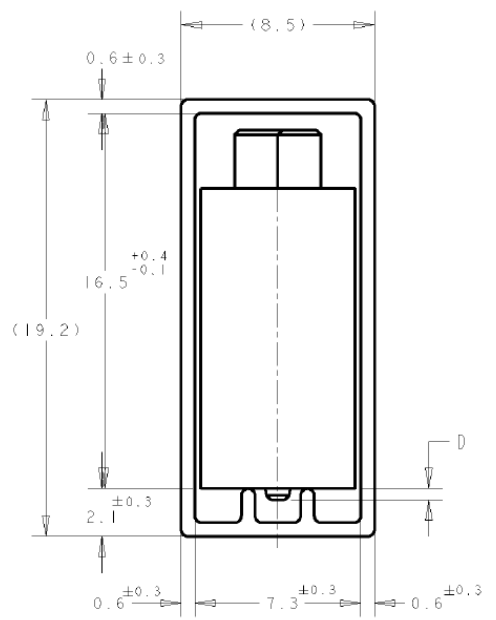
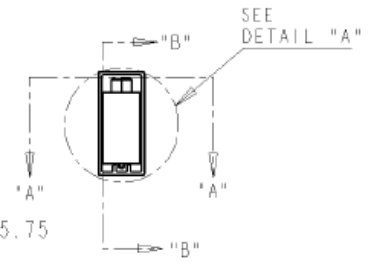
P	LTR	DESCRIPTION	DATE	DWN	APVD
-	-	SEE SHEET 1	-	-	-



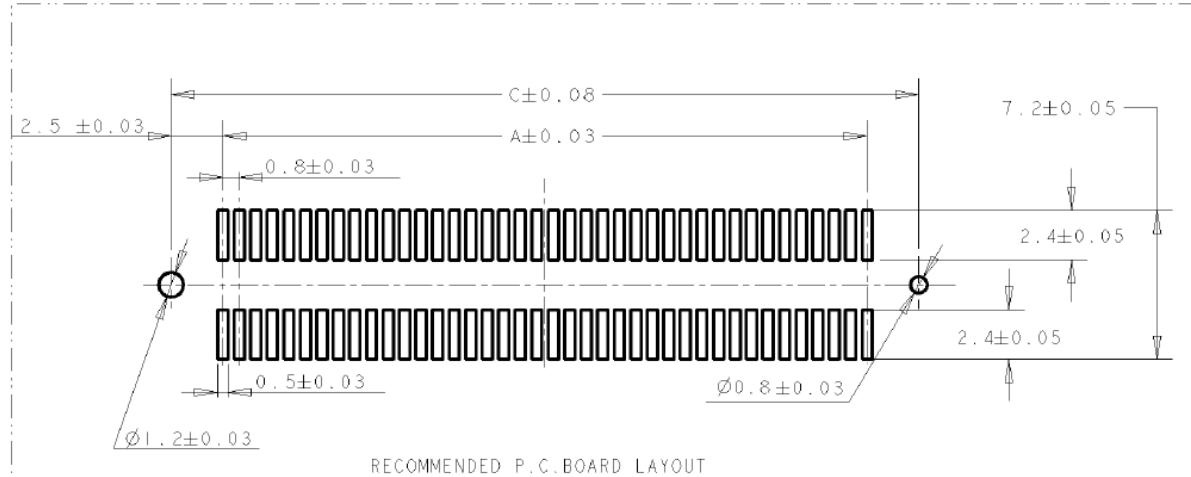
SECT "A" - "A"



SECT "B" - "B"



DETAIL "A"
(SCALE 5-1)



RECOMMENDED P.C. BOARD LAYOUT

THIS DRAWING IS A CONTROLLED DOCUMENT.		DWN WYLEE	10JUL2007	TE Connectivity	
		CHK YJ SEE	-		
DIMENSIONS: mm		TOLERANCES UNLESS OTHERWISE SPECIFIED:		NAME	
		0 PLC	± -	RECEPTACLE 17MM HEIGHT FH 0.8MM PITCH B-T-B CONNECTOR IN TUBE	
		1 PLC	± 0.30		
		2 PLC	± 0.25		
		3 PLC	± 0.20		
MATERIAL		FINISH	-	APVD SF LFONG	RESTRICTED TO
				PRODUCT SPEC	
				108-5390	SIZE
				APPLICATION SPEC	CAGE CODE
				114-5254	DRAWING NO
				WEIGHT	00779
				CUSTOMER DRAWING	1735480
					SCALE
					4:1
					SHEET
					2 OF 3
					REV
					A3

REVISIONS					
P	LTR	DESCRIPTION	DATE	DWN	APVD
-	-	SEE SHEET 1	-	-	-

NOTES:

1 MATERIAL: HOUSING: L.C.P. (HIGH TEMP THERMO-PLASTIC)
UL 94V-0, NATURAL.
CONTACT: COPPER ALLOY

2 FINISH:
ENGAGEMENT AREA: 0.0002 MIN GOLD
SOLDERING AREA: 0.002 MIN MATTE TIN
UNDERCOAT: 0.0013 MIN NICKEL ALL OVER.

3 FINISH:
ENGAGEMENT AREA: 0.00076 MIN GOLD
SOLDERING AREA: 0.002 MIN MATTE TIN
UNDERCOAT: 0.0013 MIN NICKEL ALL OVER.

4. SEE SERIES TABLE FOR PART NUMBERS

5. CONNECTOR MATED STACKED HEIGHT IS COMBINATION OF
PLUG HEIGHT "Y" AND REC HEIGHT "X", LESS 5 mm.

STACKED HEIGHT = Y + X - 5

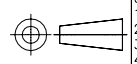
OBSOLETE

OBSOLETE

AVAILABLE (0.5mm BOSS LENGTH)	30 u" Au - Sn	84.20	85.80	79.20	200	8-	-0
		76.20	77.80	71.20	180	7-	-9
68.20	69.80	63.20	160	7-	-8		
64.20	65.80	59.20	150	7-	-7		
60.20	61.80	55.20	140	7-	-6		
52.20	53.80	47.20	120	7-	-5		
44.20	45.80	39.20	100	7-	-4		
36.20	37.80	31.20	80	7-	-3		
28.20	29.80	23.20	60	7-	-2		
20.20	21.80	15.20	40	7-	-1		
AVAILABLE (0.5mm BOSS LENGTH) <th rowspan="2">08 u" Au - Sn</th> <td>84.20</td> <td>85.80</td> <td>79.20</td> <td>200</td> <td>6-</td> <td>-0</td>	08 u" Au - Sn	84.20	85.80	79.20	200	6-	-0
		76.20	77.80	71.20	180	5-	-9
68.20	69.80	63.20	160	5-	-8		
64.20	65.80	59.20	150	5-	-7		
60.20	61.80	55.20	140	5-	-6		
52.20	53.80	47.20	120	5-	-5		
44.20	45.80	39.20	100	5-	-4		
36.20	37.80	31.20	80	5-	-3		
28.20	29.80	23.20	60	5-	-2		
0.5	20.20	21.80	40	5-	-1		
NOT AVAILABLE (0.8mm BOSS LENGTH) <th rowspan="2">30 u" Au - Sn</th> <td>84.20</td> <td>85.80</td> <td>79.20</td> <td>200</td> <td>3-</td> <td>-0</td>	30 u" Au - Sn	84.20	85.80	79.20	200	3-	-0
		76.20	77.80	71.20	180	2-	-9
68.20	69.80	63.20	160	2-	-8		
64.20	65.80	59.20	150	2-	-7		
60.20	61.80	55.20	140	2-	-6		
52.20	53.80	47.20	120	2-	-5		
44.20	45.80	39.20	100	2-	-4		
36.20	37.80	31.20	80	2-	-3		
28.20	29.80	23.20	60	2-	-2		
20.20	21.80	15.20	40	2-	-1		
NOT AVAILABLE (0.8mm BOSS LENGTH) <th rowspan="2">08 u" Au - Sn</th> <td>84.20</td> <td>85.80</td> <td>79.20</td> <td>200</td> <td>1-</td> <td>-0</td>	08 u" Au - Sn	84.20	85.80	79.20	200	1-	-0
		76.20	77.80	71.20	180		-9
68.20	69.80	63.20	160		-8		
64.20	65.80	59.20	150		-7		
60.20	61.80	55.20	140		-6		
52.20	53.80	47.20	120		-5		
44.20	45.80	39.20	100		-4		
36.20	37.80	31.20	80		-3		
28.20	29.80	23.20	60		-2		
0.8	20.20	21.80	40		-1		

THIS DRAWING IS A CONTROLLED DOCUMENT.

DIMENSIONS:
mm



TOLERANCES UNLESS OTHERWISE SPECIFIED:
0 PLC ± -
1 PLC ± 0.30
2 PLC ± 0.25
3 PLC ± 0.20
4 PLC ANGLES ± -

MATERIAL
-

FINISH
-

DWN WYLEE	10JUL2007
CHK YJ SEE	-
APVD SF LFONG	-
PRODUCT SPEC	108-5390
APPLICATION SPEC	114-5254
WEIGHT	-
CUSTOMER DRAWING	

STE TE Connectivity

RECEPTACLE 17MM HEIGHT
FH 0.8MM PITCH B-T-B CONNECTOR
IN TUBE

SIZE A3	CAGE CODE 00779	DRAWING NO C=1735480	RESTRICTED TO -
SCALE 4:1		SHEET 3 of 3	REV A3

X-ON Electronics

Largest Supplier of Electrical and Electronic Components

Click to view similar products for [Board to Board & Mezzanine Connectors](#) category:

Click to view products by [TE Connectivity](#) manufacturer:

Other Similar products are found below :

[589158040000018](#) [MDF7C-18P-2.54DSA\(55\)](#) [FCN-230C068-11](#) [FCN-268F012-G/BD](#) [FCN-268F036-G/BD](#) [FCN-268M012-G/0D](#) [FCN-268M024-G/1D](#) [FCN-723J004/1](#) [MIS-048-01-F-D-DP-K](#) [832-10-034-10-001000](#) [FX4C-80S-1.27DSA](#) [FCN-214Q030-G/0](#) [FCN-234P048-G/0](#) [FCN-235D050-G/C](#) [210-93-314-41-105000](#) [2-22603-0](#) [MDF7-40DP-2.54DSA\(55\)](#) [AXG720047](#) [5031084030](#) [MIT-114-03-F-D-K](#) [55323-1519](#) [DF33-2P-3.3DSA\(24\)](#) [YFT-20-05-H-03-SB-K](#) [503308-3040](#) [026-6203-PDB](#) [027-6203-PDB](#) [069159702701000](#) [10123981-102LF](#) [101A10019X](#) [55650-0588-C](#) [68682-310LF](#) [68684-306](#) [75140-7012](#) [87471-650](#) [YTW-30-07-H-Q-410-140](#) [194261-1](#) [FCN-268F024-G0D](#) [10124054-515LF](#) [68685-603](#) [8-1616154-3](#) [MIS-019-01-F-D](#) [FCN-268M024-G/3D](#) [20021832-06016C1LF](#) [KX15-20KLDL-E1000E](#) [MDF7-16DP-2.54DSA\(55\)](#) [AXE810124](#) [FCN-214J100-G/0](#) [FCN-230C068-E/S](#) [AXE812124](#) [AXE816124](#)