

4

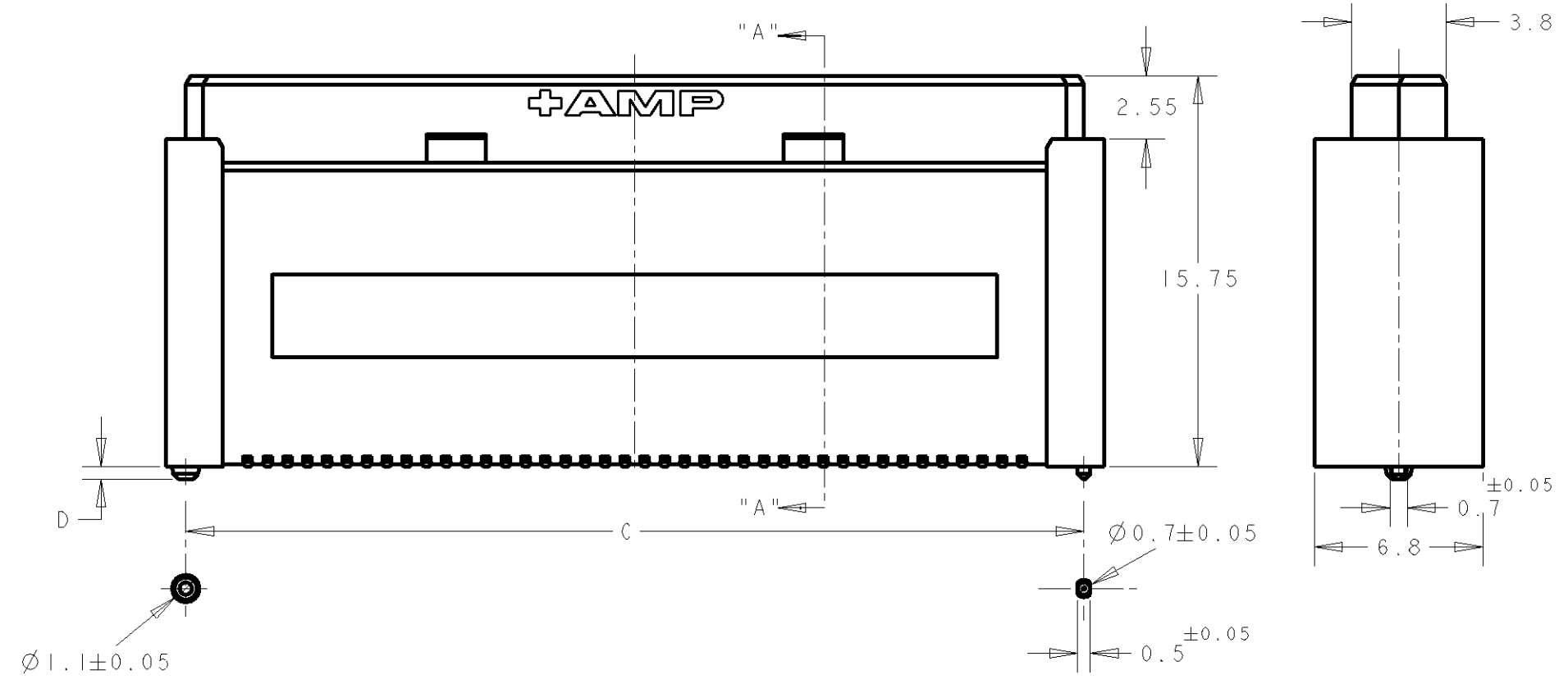
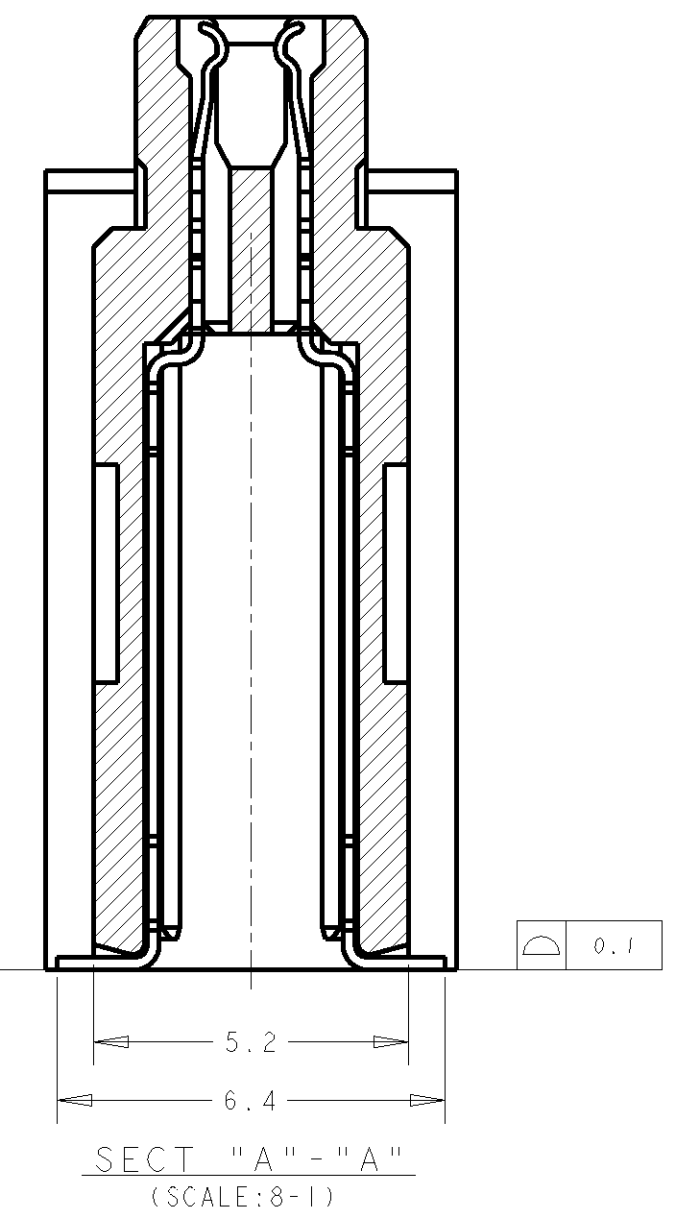
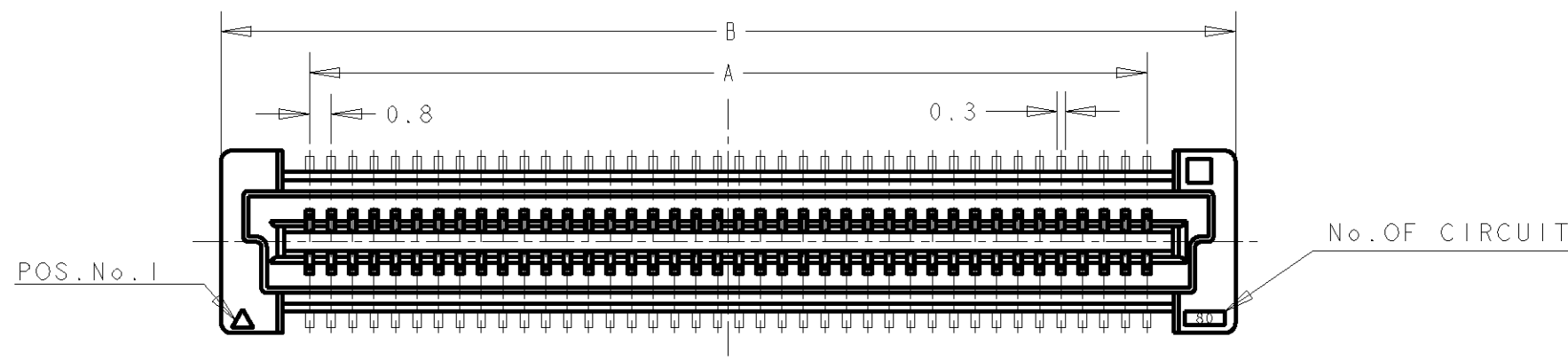
3

2

1

THIS DRAWING IS UNPUBLISHED. RELEASED FOR PUBLICATION
 © COPYRIGHT - BY - ALL RIGHTS RESERVED.

LOC	DIST	REVISIONS			
P	LTR	DESCRIPTION	DATE	DWN	APVD
DY	-	A2 REVISED PER ECO-11-005139	19MAR11	RK	HMR



DWN WYLEE 10JUL2007		STE TE Connectivity	
CHK YJ SEE		NAME	
APVD SF FONG		RECEPTACLE 17mm HEIGHT	
PRODUCT SPEC 108-5390		FH 0.8mm PITCH B-T-B CONNECTOR	
APPLICATION SPEC 114-5254		IN TUBE	
WEIGHT -		SIZE A3	CAGE CODE 00779
MATERIAL		DRAWING NO. 1735480	
FINISH		SCALE 4:1	SHEET 1 OF 3
CUSTOMER DRAWING		REV A2	

4

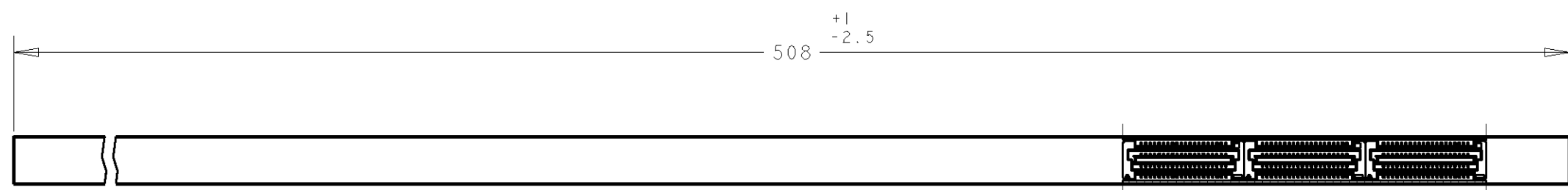
3

2

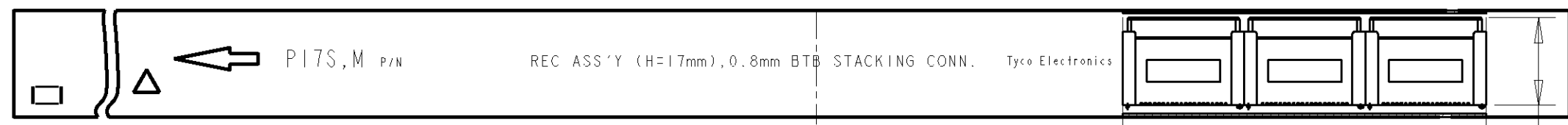
1

THIS DRAWING IS UNPUBLISHED. RELEASED FOR PUBLICATION .19 .
 © COPYRIGHT BY ALL RIGHTS RESERVED.

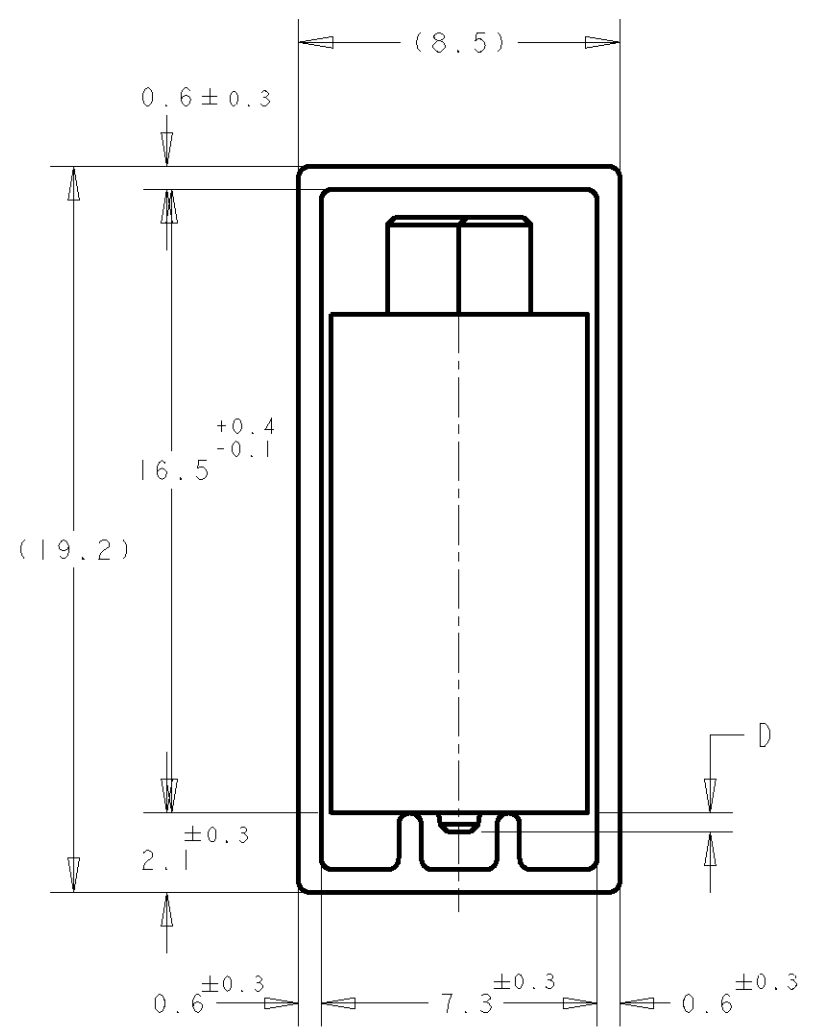
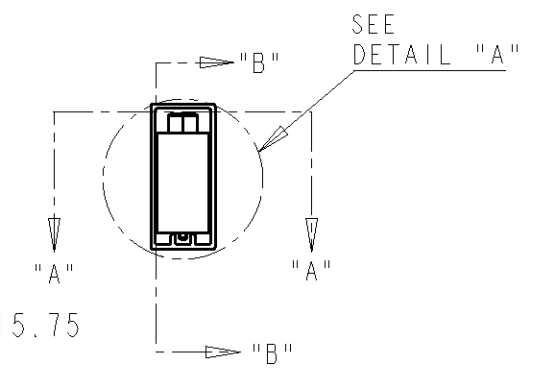
LOC	DIST	REVISIONS			
P	LTR	DESCRIPTION	DATE	DWN	APVD
DY	-	SEE SHEET 1			



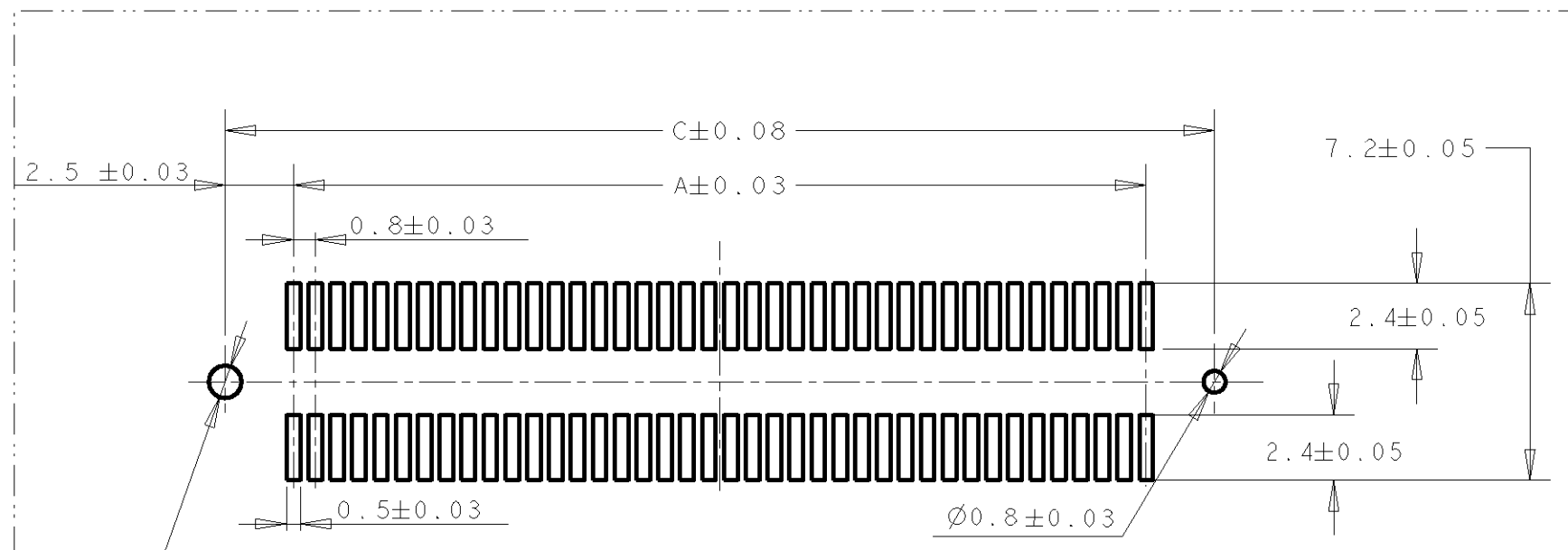
SECT "A" - "A"



SECT "B" - "B"



DETAIL "A"
(SCALE 5-1)



RECOMMENDED P.C. BOARD LAYOUT

DIMENSIONS: mm		TOLERANCES UNLESS OTHERWISE SPECIFIED:		DWN 10JUL2007 WYLEE		STE TE Connectivity	
0 PLC ±		1 PLC ±0.30		CHK YJ SEE			
1 PLC ±0.30		2 PLC ±0.25		APVD SF J FONG		NAME RECEPTACLE 17mm HEIGHT FH 0.8mm PITCH B-T-B CONNECTOR IN TUBE	
2 PLC ±0.25		3 PLC ±0.20		PRODUCT SPEC SEE SHEET 1		SIZE A3	
3 PLC ±0.20		4 PLC ±		APPLICATION SPEC SEE SHEET 1		CAGE CODE 00779	
4 PLC ±		ANGLES ±3°		WEIGHT -		DRAWING NO C-1735480	
MATERIAL		FINISH		CUSTOMER DRAWING		SCALE 4:1	
						SHEET 2 OF 3	
						REV A2	

THIS DRAWING IS UNPUBLISHED. RELEASED FOR PUBLICATION .19 .
 (C) COPYRIGHT - BY - ALL RIGHTS RESERVED.

LOC	DIST	REVISIONS					
DY	-	P	LTR	DESCRIPTION	DATE	DWN	APVD
				SEE SHEET 1			

AVAILABLE (0.5mm BOSS LENGTH)	30 u" Au - Sn 3	84.20	85.80	79.20	200	8-	-0	
		76.20	77.80	71.20	180	7-	-9	
		68.20	69.80	63.20	160	7-	-8	
		64.20	65.80	59.20	150	7-	-7	
		60.20	61.80	55.20	140	7-	-6	
		52.20	53.80	47.20	120	7-	-5	
		44.20	45.80	39.20	100	7-	-4	
		36.20	37.80	31.20	80	7-	-3	
	28.20	29.80	23.20	60	7-	-2		
	20.20	21.80	15.20	40	7-	-1		
	<hr/>							
	08 u" Au - Sn 2	84.20	85.80	79.20	200	6-	-0	
		76.20	77.80	71.20	180	5-	-9	
		68.20	69.80	63.20	160	5-	-8	
		64.20	65.80	59.20	150	5-	-7	
		60.20	61.80	55.20	140	5-	-6	
52.20		53.80	47.20	120	5-	-5		
44.20		45.80	39.20	100	5-	-4		
36.20		37.80	31.20	80	5-	-3		
28.20		29.80	23.20	60	5-	-2		
20.20		21.80	15.20	40	5-	-1		
<hr/>								
NOT AVAILABLE (0.8mm BOSS LENGTH)	30 u" Au - Sn 3	84.20	85.80	79.20	200	3-	-0	
		76.20	77.80	71.20	180	2-	-9	
		68.20	69.80	63.20	160	2-	-8	
		64.20	65.80	59.20	150	2-	-7	
		60.20	61.80	55.20	140	2-	-6	
		52.20	53.80	47.20	120	2-	-5	
		44.20	45.80	39.20	100	2-	-4	
		36.20	37.80	31.20	80	2-	-3	
	28.20	29.80	23.20	60	2-	-2		
	20.20	21.80	15.20	40	2-	-1		
	<hr/>							
	08 u" Au - Sn 2	84.20	85.80	79.20	200	1-	-0	
		76.20	77.80	71.20	180		-9	
		68.20	69.80	63.20	160		-8	
		64.20	65.80	59.20	150		-7	
		60.20	61.80	55.20	140		-6	
52.20		53.80	47.20	120		-5		
44.20		45.80	39.20	100		-4		
36.20		37.80	31.20	80		-3		
28.20	29.80	23.20	60		-2			
20.20	21.80	15.20	40		-1			

NOTES:

1 MATERIAL: HOUSING: L.C.P. (HIGH TEMP THERMO-PLASTIC)
 UL 94V-0, NATURAL.
 CONTACT: COPPER ALLOY

2 FINISH:
 ENGAGEMENT AREA: 0.0002 MIN GOLD
 SOLDERING AREA: 0.002 MIN MATTE TIN
 UNDERCOAT: 0.0013 MIN NICKEL ALL OVER.

3 FINISH:
 ENGAGEMENT AREA: 0.00076 MIN GOLD
 SOLDERING AREA: 0.002 MIN MATTE TIN
 UNDERCOAT: 0.0013 MIN NICKEL ALL OVER.

4. SEE SERIES TABLE FOR PART NUMBERS

5. CONNECTOR MATED STACKED HEIGHT IS COMBINATION OF
 PLUG HEIGHT "Y" AND REC HEIGHT "X", LESS 5 mm.

STACKED HEIGHT = Y + X - 5

DIMENSIONS: mm		TOLERANCES UNLESS OTHERWISE SPECIFIED:		DWN WYLEE 10JUL2007		STE TE Connectivity	
		0 PLC ±-	1 PLC ±0.30	CHK YJ SEE			
MATERIAL		2 PLC ±0.25	3 PLC ±0.20	APVD SF J FONG		SIZE	CAGE CODE
FINISH		4 PLC ±-	ANGLES ±3°	PRODUCT SPEC SEE SHEET 1		A3	00779
				APPLICATION SPEC SEE SHEET 1		DRAWING NO 1735480	
				WEIGHT -		SCALE 4:1	
				CUSTOMER DRAWING		SHEET 3 OF 3	
						REV A2	

X-ON Electronics

Largest Supplier of Electrical and Electronic Components

Click to view similar products for [TE Connectivity](#) manufacturer:

Other Similar products are found below :

[D38999/24FJ4AN](#) [570416-000](#) [CLTEQ-M81CE-SSRELAY-4-20V](#) [4-1195131-0](#) [650069-000](#) [SMD100-2](#) [358838-000](#) [CB-1022B-78](#)
[RM707012](#) [RP410012](#) [MMS42](#) [1-640426-8](#) [2EDL4CM](#) [DTS20W19-11PD-3028-LC](#) [RM202615](#) [NC6-P104-06](#) [MSPS103B](#) [DTS26F21-](#)
[41HE-LC](#) [DTS26F21-41AE](#) [DTS26F21-41PE-LC](#) [DTS26F21-11SE-3028-LC](#) [30DCB6](#) [1932144-1](#) [293545-4](#) [LVR125S](#) [MS27466T25F4PB](#)
[CKB-38-78010](#) [TR04AI-TINELLOCKRING](#) [1206SFF150F/63-2](#) [D38999/20JB35HA](#) [TE1500A2R2J](#) [D38999/20WC8BB](#) [DTS24F19-11SC-](#)
[3028-LC](#) [D38999/24WG11HA](#) [D38999/24WG11HN](#) [MS27467T21F11H](#) [DJT16E21-11HA](#) [MS27467T21F35J](#) [MS27467T21F11J](#)
[MS27467T21F16H-LC](#) [MS27467T21F35H](#) [MS27467T21F41H-LC](#) [1206SFH150F/24-2](#) [RP330024](#) [DJT16E21-11PA-LC](#) [DJT16E21-11HA-](#)
[LC](#) [DJT16E21-11AA](#) [MS27467T21B11JA](#) [DJT16E21-11JA](#) [MS27467T21B11JA-LC](#)