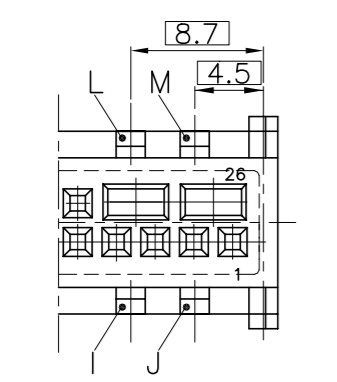
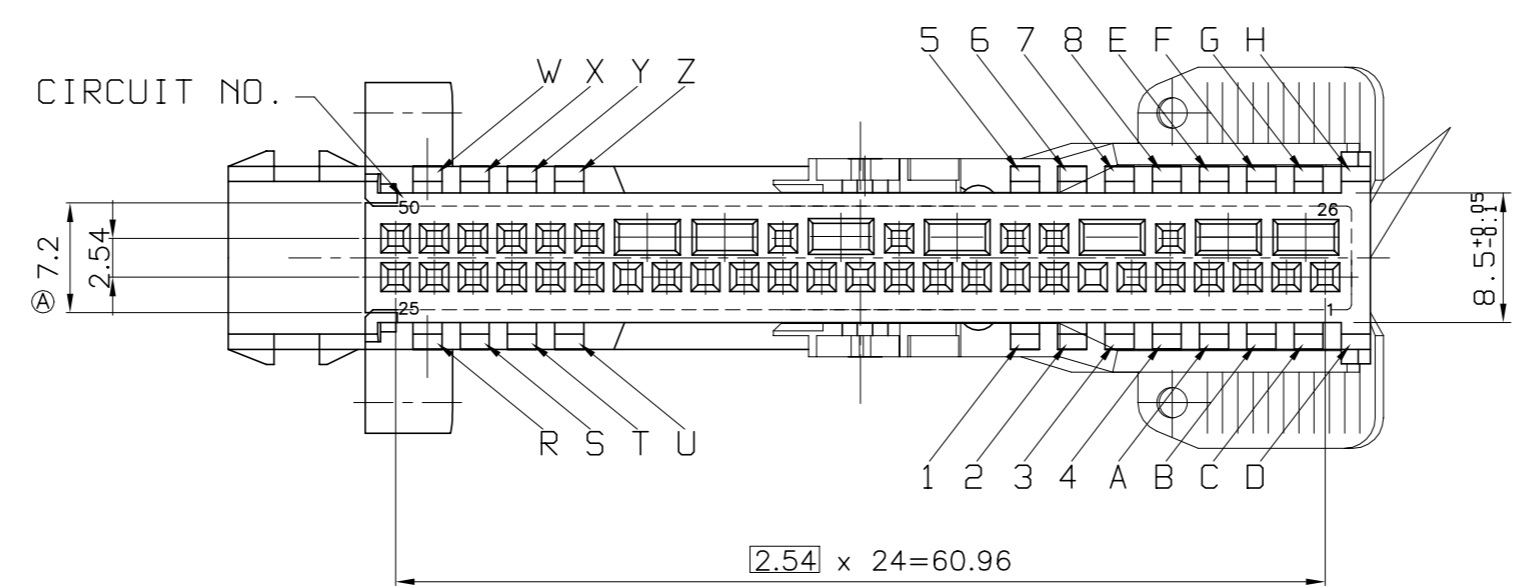
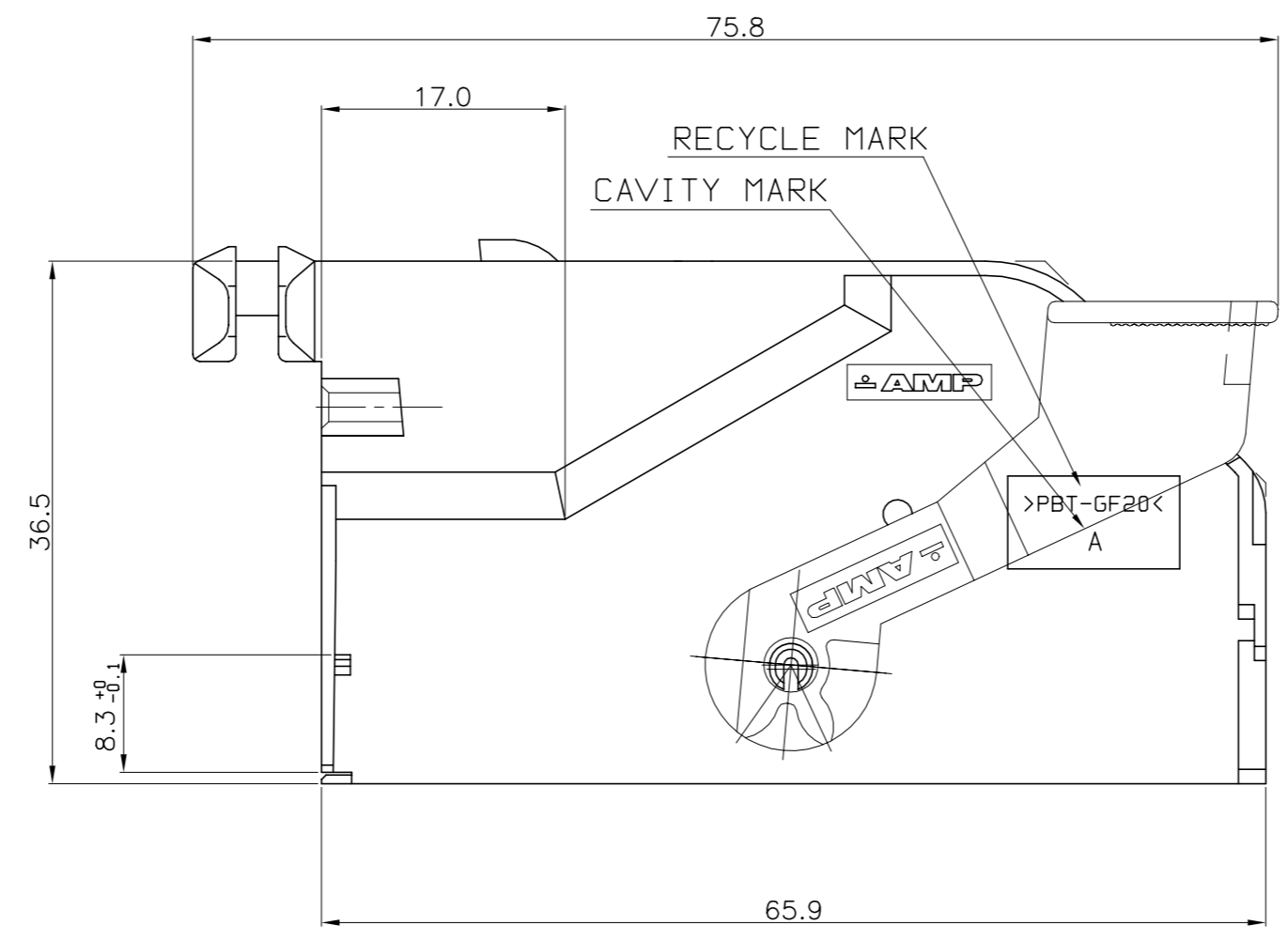
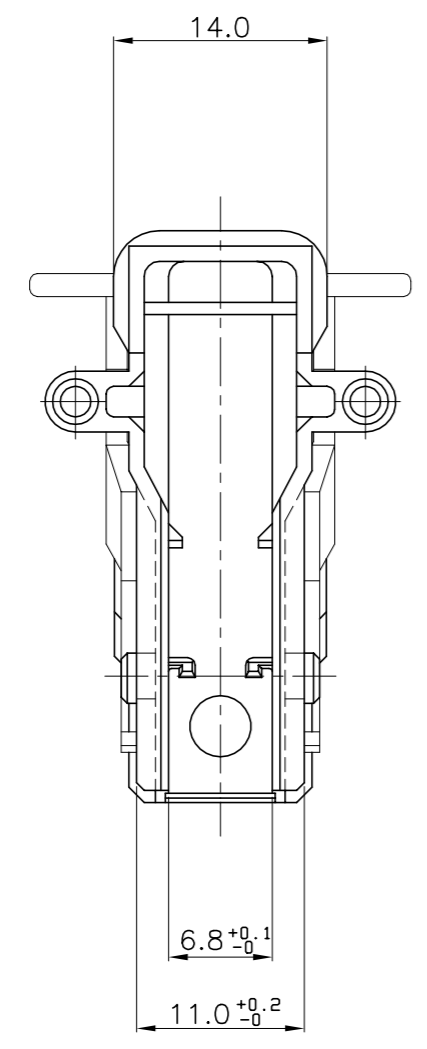
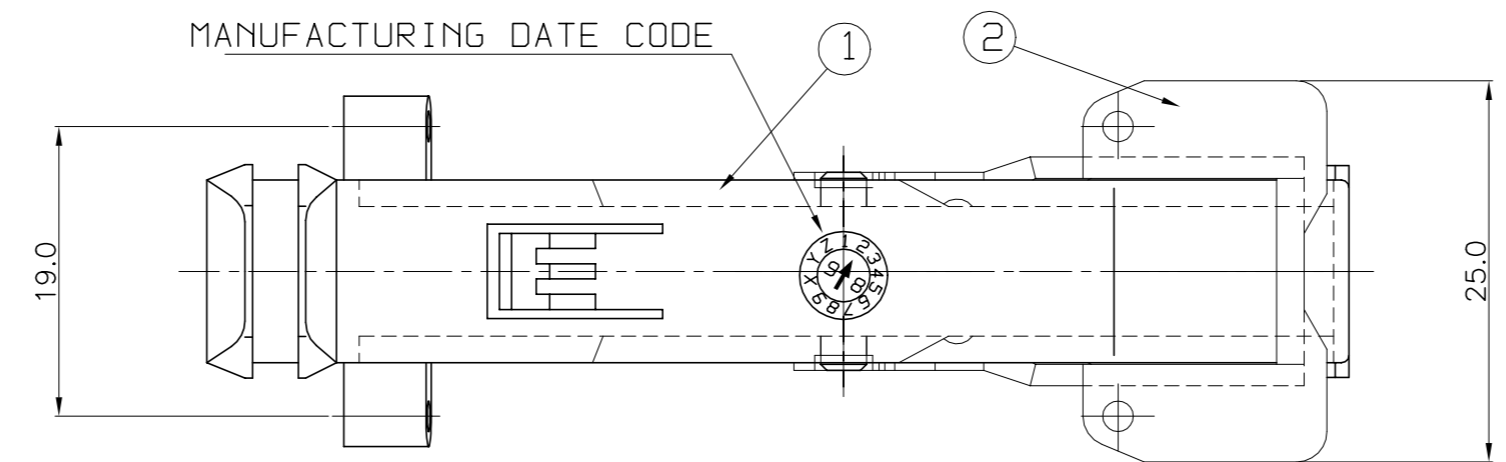
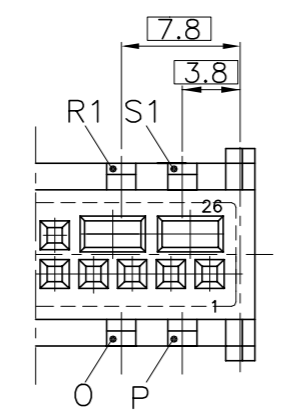


P	LTR	DESCRIPTION	DATE	DWN	APVD
	K1	REVISED	07SEP2020	PSJ	SPB



VIEW CODE "IJLM"



VIEW CODE "OPR1S1"

- NOTE
 1. DRAWING KEY IS (D-H)
 2. APPLICABLE PLUG HOUSING ASS'Y: P/N 368233

ITEM NO.	COLOR	DESCRIPTION	P/N	Q'TY
2	BLACK	LEVER HOUSING	368235-1	1
1	SEE TABLE	COVER HOUSING	SEE TABLE	1

DWN SH JANG		TE Connectivity AIRBAG 50P COVER ASS'Y			
CHK KT LIM					
APVD HG CHO					
PRODUCT SPEC					
APPLICATION SPEC	NAME	SIZE	CAGE CODE	DRAWING NO	RESTRICTED TO
WEIGHT 0	A2	00779	C=1743109		
CUSTOMER DRAWING		SCALE	SHEET	REV	
	FREE	1 of 4	K1		

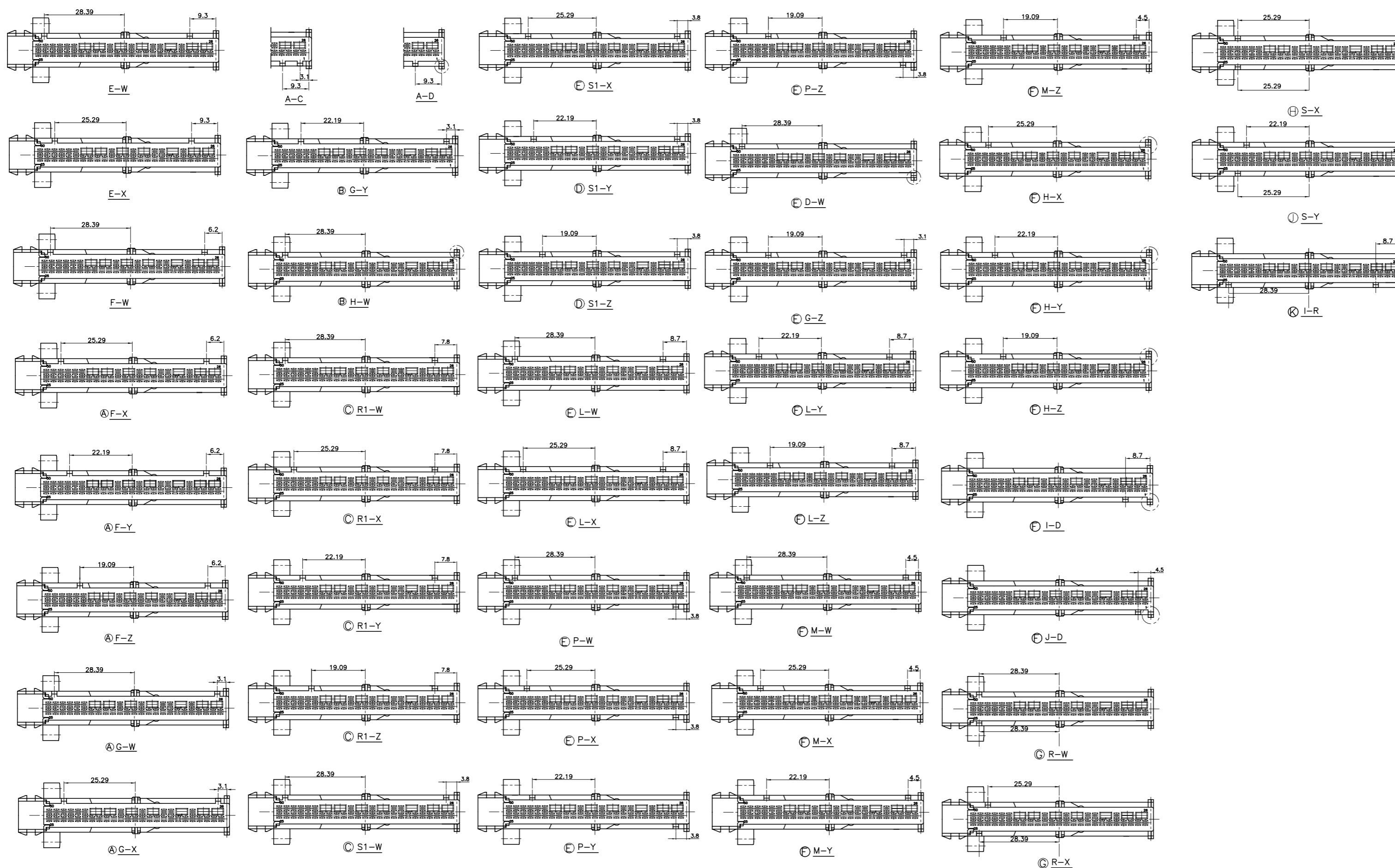
THIS DRAWING IS A CONTROLLED DOCUMENT.

DIMENSIONS:	TOLERANCES UNLESS OTHERWISE SPECIFIED:
mm	0 PLC ± -
	1 PLC ± -
	2 PLC ± -
	3 PLC ± -
	4 PLC ± -
	ANGLES ± -
MATERIAL	FINISH
SEE TABLE	SEE TABLE

TOLERANCES UNLESS OTHERWISE SPECIFIED:

0 <XX<10	± 0.2
10<XX<30	± 0.25
30<XX	± 0.3
ANGLES	± 3°

P	LTR	DESCRIPTION	DATE	DWN	APVD
-	-	SEE SHEET 1	-	-	-



GEOMETRY CODE

TOLERANCES UNLESS OTHERWISE SPECIFIED:

0 <XX<10	± 0.2
10<XX<30	± 0.25
30<XX	± 0.3
ANGLES	± 3°

THIS DRAWING IS A CONTROLLED DOCUMENT.

DIMENSIONS:	TOLERANCES UNLESS OTHERWISE SPECIFIED:
mm	0 PLC ± -
	1 PLC ± -
	2 PLC ± -
	3 PLC ± -
	4 PLC ± -
	ANGLES ± -
MATERIAL	FINISH
SEE TABLE	SEE TABLE

DWN	SH JANG	CHK	KT LIM	APVD	HG CHO	PRODUCT SPEC	APPLICATION SPEC	WEIGHT	0	SIZE	A2	CAGE CODE	00779	DRAWING NO	C=1743109	RESTRICTED TO	-
TE Connectivity AIRBAG 50P COVER ASS'Y																	
CUSTOMER DRAWING										SCALE	FREE	SHEET	2 of 4	REV	K1		

P	LTR	DESCRIPTION	DATE	DWN	APVD
-	-	SEE SHEET 1	-	-	-

0-1743109

						0-1743109											
						A		A									
						-9	-8	-7	-6	-5			-2	-1			
②	0-368235-1	LEVER HSG	PBT GF20	BLACK		1	1	1	1	1			1	1			
①	0-1743110-9			BROWN BEIGE (RAL 1011)	F-Y	1											
①	0-1743110-8			GREEN BEIGE (RAL 1000)	F-X		1										
①	0-1743110-7			LIGHT BLUE (RAL 5012)	A-D			1									
①	0-1743110-6			EMERALD GREEN (RAL 6001)	A-C				1								
①	0-1743110-5	COVER HSG	PBT GF20	PASTEL GREEN (RAL 6019)	F-W					1							
①	0-1743110-2			LIGHT BLUE (RAL 5012)	E-X								1				
①	0-1743110-1	COVER HSG	PBT GF20	CURRY (RAL 1027)	E-W										1		
NO	PART NO	DESCRIPTION	MATERIAL	COLOR	CODE	REQUIRED PER ASSEMBLY											

OBSOLETE
OBSOLETE
OBSOLETE
OBSOLETE
OBSOLETE

2-1743109

						2-1743109											
						D		E		C		C		C		E	
						-9	-8	-7	-6	-5	-4	-3	-2	-1			
②	0-368235-1	LEVER HSG	PBT GF20	BLACK		1	1	1	1	1	1	1	1	1			
①	2-1743110-9			LUMINOUS ORANGE (RAL 2005)	S1-Y	1											
①	2-1743110-8			PASTEL ORANGE (RAL 2003)	S1-X		1										
①	2-1743110-7			GRAPHITE BLACK (RAL 9011)	S1-W			1									
①	2-1743110-6			CLAY BROWN (RAL 8003)	R1-Z				1								
①	2-1743110-5			BASOLT GREY (RAL 7012)	R1-Y					1							
①	2-1743110-4			KHAKI GREY (RAL 7008)	R1-X						1						
①	2-1743110-3			OPAL GREEN (RAL 6026)	R1-W							1					
①	2-1743110-2			TRAFFIC RED (RAL 3020)	H-W								1				
①	2-1743110-1	COVER HSG	PBT GF20	CLAY BROWN (RAL 8003)	G-Z										1		
NO	PART NO	DESCRIPTION	MATERIAL	COLOR	CODE	REQUIRED PER ASSEMBLY											

OBSOLETE
OBSOLETE
OBSOLETE
OBSOLETE
OBSOLETE

1-1743109

						1-1743109											
						E		E		E		A		A		A	
						-9	-8	-7	-6	-5	-4	-3	-2	-1			
②	0-368235-1	LEVER HSG	PBT GF20	BLACK		1	1	1	1	1	1	1	1	1			
①	1-1743110-9			KHAKI GREY (RAL 7008)	D-W	1											
①	1-1743110-8			SIGNAL GREEN (RAL 6032)	P-Z		1										
①	1-1743110-7			FIR GREEN (RAL 6009)	P-Y			1									
①	1-1743110-6			TRAFFIC BLUE (RAL 5017)	P-X				1								
①	1-1743110-5			BEIGE (RAL1001)	P-W					1							
①	1-1743110-4			SIGNAL BLUE (RAL 5005)	G-Y						1						
①	1-1743110-3			CLARET VIOLET (RAL 4004)	G-X							1					
①	1-1743110-2			GREEN BLUE (RAL 5001)	G-W								1				
①	1-1743110-1	COVER HSG	PBT GF20	WINE RED (RAL 3005)	F-Z										1		
NO	PART NO	DESCRIPTION	MATERIAL	COLOR	CODE	REQUIRED PER ASSEMBLY											

OBSOLETE
OBSOLETE
OBSOLETE

3-1743109

						3-1743109											
						E		E		E		E		D			
						-9	-8	-7	-6	-4	-3	-1					
②	0-368235-1	LEVER HSG	PBT GF20	BLACK		1	1	1	1	1	1	1					
①	3-1743110-9			BRILLIANT BLUE (RAL 5007)	M-X	1											
①	3-1743110-8			TRAFFIC PURPLE (RAL 4006)	M-W		1										
①	3-1743110-7			LUMINOUS YELLOW (RAL 1026)	L-Z			1									
①	3-1743110-6	COVER HSG	PBT GF20	LIGHT IVORY (RAL 1015)	L-Y				1								
①	3-1743110-4			JET BLACK (RAL 9005)	L-X					1							
①	3-1743110-3	COVER HSG	PBT GF20	MELON YELLOW (RAL 1028)	L-W						1						
①	3-1743110-1	COVER HSG	PBT GF20	TRAFFIC ORANGE (RAL 2009)	S1-Z										1		
NO	PART NO	DESCRIPTION	MATERIAL	COLOR	CODE	REQUIRED PER ASSEMBLY											


OBSOLETE
OBSOLETE
OBSOLETE
OBSOLETE

THIS DRAWING IS A CONTROLLED DOCUMENT.

TOLERANCES UNLESS OTHERWISE SPECIFIED:

0 <XX<10	± 0.2
10<XX<30	± 0.25
30<XX	± 0.3
ANGLES	± 3°

DIMENSIONS:	mm	TOLERANCES UNLESS OTHERWISE SPECIFIED:	
		0 PLC ± -	
		1 PLC ± -	
		2 PLC ± -	
		3 PLC ± -	
		4 PLC ± -	
		ANGLES ± -	
MATERIAL	SEE TABLE	FINISH	SEE TABLE

DWN	SH JANG	 TE Connectivity	NAME	AIRBAG 50P COVER ASS'Y					
CHK	KT LIM			-					
APVD	HG CHO			-					
PRODUCT SPEC	-			-					
APPLICATION SPEC	-	SIZE	A2	CAGE CODE	00779	DRAWING NO	C=1743109	RESTRICTED TO	-
WEIGHT	0	SCALE	FREE	SHEET	3 of 4	REV	K1	CUSTOMER DRAWING	

P	LTR	DESCRIPTION	DATE	DWN	APVD
-	-	SEE SHEET 1	-	-	-


5-1743109					
Ⓚ	Ⓝ	Ⓞ	Ⓟ	Ⓠ	Ⓡ
-7	-6	-5	-3	-2	

NO	PART NO	DESCRIPTION	MATERIAL	COLOR	CODE	REQUIRED PER ASSEMBLY
②	0-368235-1	LEVER HSG	PBT GF20	BLACK		1 1 1 1 1
①	5-1743110-7			JET BLACK (RAL 9005)	I-R	1
①	5-1743110-6			Traffic Yellow (RAL 1023)	S-Y	1
①	5-1743110-5	COVER HSG	PBT GF20	Signal Blue (RAL 5005)	S-X	1
①	5-1743110-3			Signal Green (RAL 6032)	R-X	1
①	5-1743110-2	COVER HSG	PBT GF20	Graphite Black (RAL 9011)	R-W	1

4-1743109								
Ⓐ	Ⓑ	Ⓒ	Ⓓ	Ⓔ	Ⓕ	Ⓖ	Ⓗ	Ⓘ
-8	-7	-6	-5	-4	-3	-2	-1	

NO	PART NO	DESCRIPTION	MATERIAL	COLOR	CODE	REQUIRED PER ASSEMBLY
②	0-368235-1	LEVER HSG	PBT GF20	BLACK		1 1 1 1 1 1 1 1
①	4-1743110-8			PIGEON BLUE (RAL 5014)	L-M	1
①	4-1743110-7			ORANGE BROEN (RAL 8023)	J-D	1
①	4-1743110-6			OPAL GREEN (RAL 6026)	I-D	1
①	4-1743110-5			COBARL BLUE (RAL 5013)	H-Z	1
①	4-1743110-4			PURPLE VIOLET (RAL 4007)	H-Y	1
①	4-1743110-3			PURPLE VIOLET (RAL 1034)	H-X	1
①	4-1743110-2			BLACK OLIVE (RAL 6015)	M-Z	1
①	4-1743110-1	COVER HSG	PBT GF20	PATINA GREEN (RAL 6000)	M-Y	1

OBSOLETE
OBSOLETE
OBSOLETE
OBSOLETE

THIS DRAWING IS A CONTROLLED DOCUMENT.		DWN SH JANG	 TE Connectivity AIRBAG 50P COVER ASS'Y	
DIMENSIONS: mm		CHK KT LIM		
TOLERANCES UNLESS OTHERWISE SPECIFIED:		APVD HG CHO		
0 <XX<10 ± 0.2 10<XX<30 ± 0.25 30<XX ± 0.3 ANGLES ± 3°		PRODUCT SPEC APPLICATION SPEC		
MATERIAL SEE TABLE		FINISH SEE TABLE	WEIGHT 0	SIZE A2
			CAGE CODE 00779	DRAWING NO C=1743109
			CUSTOMER DRAWING	RESTRICTED TO -
			SCALE FREE	SHEET 4 OF 4
				REV K1

X-ON Electronics

Largest Supplier of Electrical and Electronic Components

Click to view similar products for [Automotive Connectors](#) category:

Click to view products by [TE Connectivity](#) manufacturer:

Other Similar products are found below :

[003-018-000](#) [60403001](#) [60993906-B](#) [M902-2131](#) [M902-2161](#) [72.330.1035.1](#) [73.353.4028.0](#) [F119300-B](#) [F166900](#) [F258300-B](#) [F358300-B](#)
[F407400](#) [F444110](#) [F487000](#) [F509500B-B](#) [827153-1](#) [8N1515-32-24P](#) [9-1326729-8](#) [925474-1](#) [928905-1](#) [964562-4](#) [968782-1](#) [GT17SA-8DS-](#)
[HU](#) [98891-1012](#) [98947-1016](#) [12004147](#) [12004475-L](#) [12010290](#) [12010309-B](#) [12015454](#) [12020219-B](#) [12020308](#) [12041318-B](#) [12052225-L](#)
[12052466](#) [12059125](#) [12064869](#) [12004327-B](#) [12010503-B](#) [12015308](#) [12015384](#) [12015909](#) [1-21030-1](#) [12041254](#) [12041318](#) [12047946-B](#)
[12047957](#) [12047957-L](#) [12059473](#) [12066261](#)