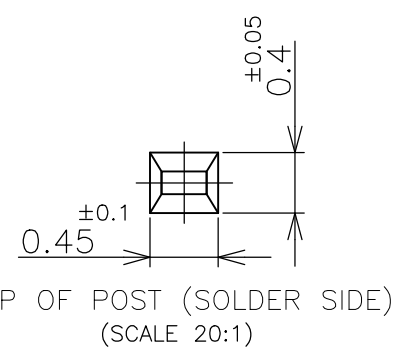
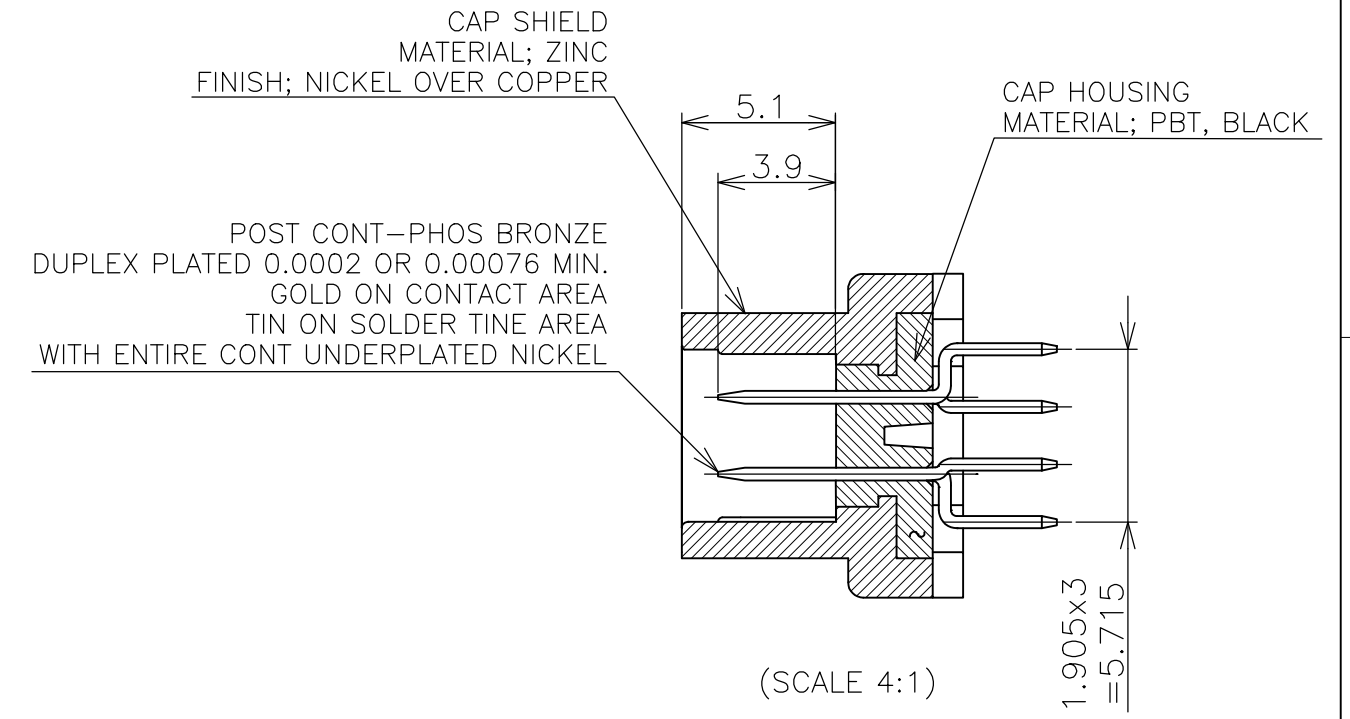
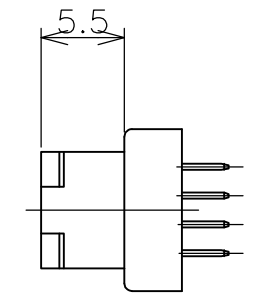
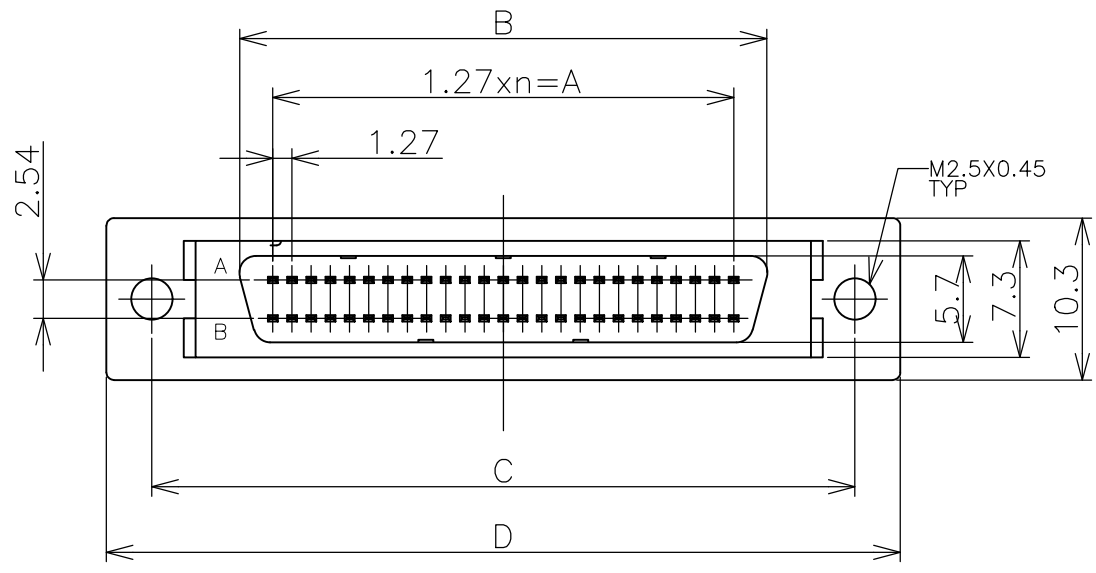
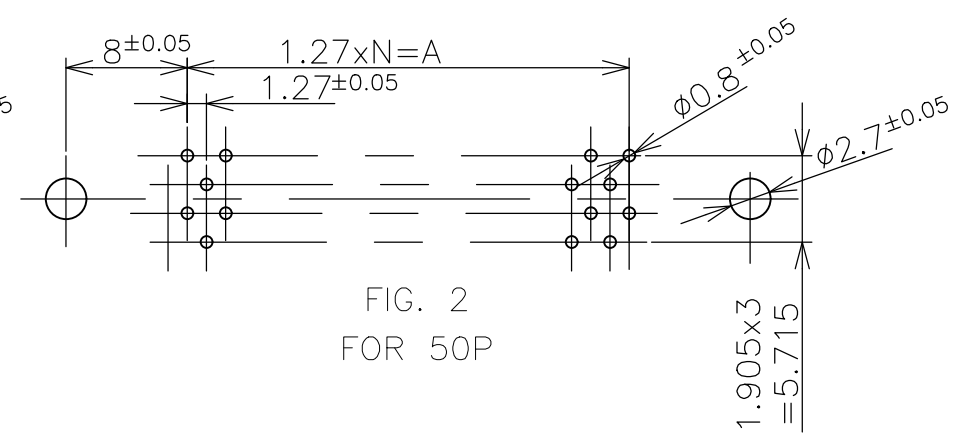
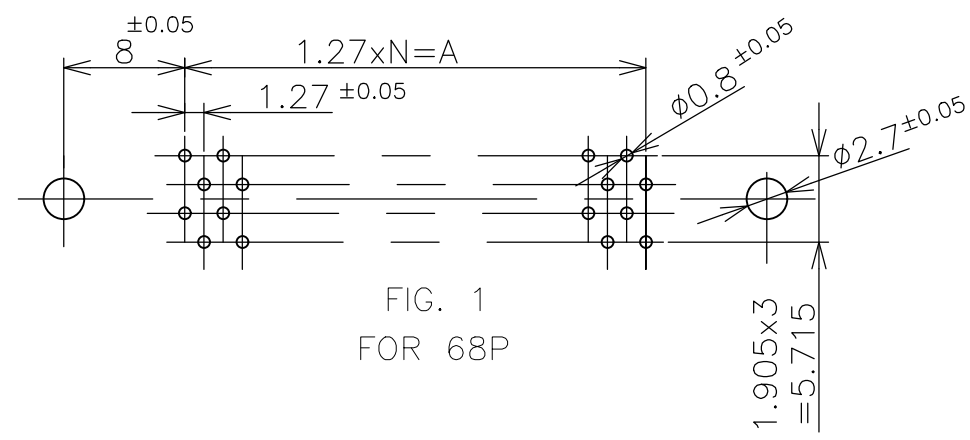
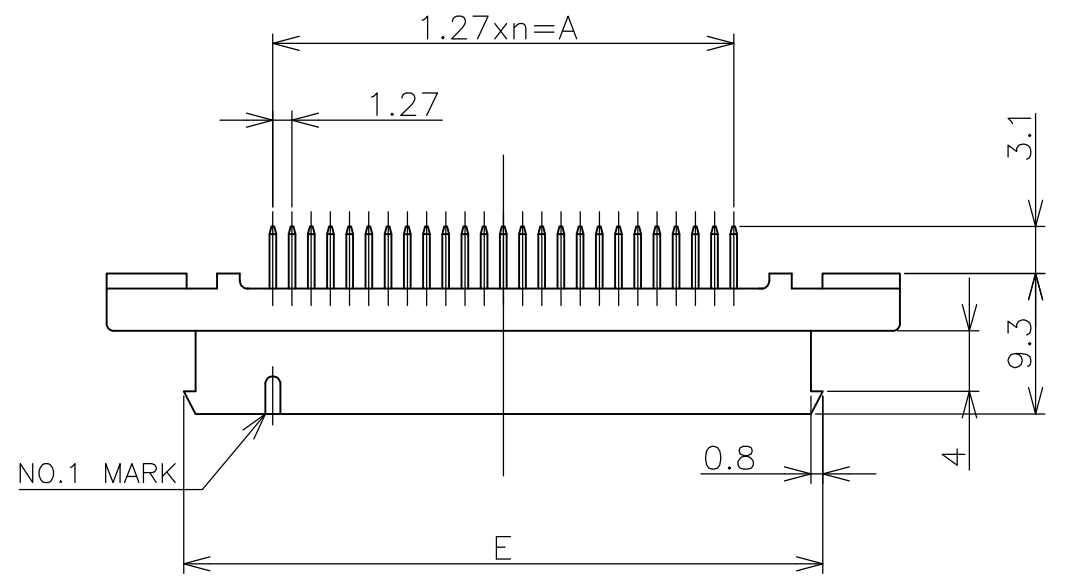


THIS DRAWING IS UNPUBLISHED. RELEASED FOR PUBLICATION .MAY 1989
 © COPYRIGHT 1989 By - ALL RIGHTS RESERVED.

REVISIONS					
P	LTR	DESCRIPTION	DATE	DWN	APVD
E		REVISED PER ECO-18-017336	22MAR2019	AP	DG



	68	33	41.91	46.28	57.9	63.9	53.71	0.00076 MIN	2-5174339-5
OBSOLETE	50	24	30.48	34.85	46.5	52.5	42.28		2-5174339-4
	68	33	41.91	46.28	57.9	63.9	53.71	0.0002 MIN	5174339-5
OBSOLETE	50	24	30.48	34.85	46.5	52.5	42.28		5174339-4
	POS	N	A	B	C	D	E	GOLD THK	PART NO.

- P.C BOARD HOLE LAY-OUT AS SHOWN FIG.1 & 2.
- USED SCREW; M2.5x0.45 PANHEAD SCREW.

GENERAL TOLERANCE
 10 ≥ : ±0.2
 30 ≥ > 10: ±0.25
 100 ≥ > 30: ±0.3
 ANGLES: ±3°

THIS DRAWING IS A CONTROLLED DOCUMENT.		DWN Roy hao 17Aug04	STE TE Connectivity		
DIMENSIONS: mm		CHK Steven Yao 17Aug04			
TOLERANCES UNLESS OTHERWISE SPECIFIED:		APVD I.Enomoto 17Aug04	NAME		
0 PLC ± -		PRODUCT SPEC	CAP HEADER (VERTICAL/M2.5)		
1 PLC ± -		108-1228	AMPLIMITE .050 SERIES II CONN.		
2 PLC ± -		APPLICATION SPEC	TYPE B		
3 PLC ± -		WEIGHT 0.000000	SIZE	CAGE CODE	DRAWING NO
4 PLC ± -		CUSTOMER DRAWING	A3	00779	C-5174339
ANGLES ± -			RESTRICTED TO		
FINISH SEE ABOVE		SCALE 1:1	SHEET 1 OF 1	REV E	

X-ON Electronics

Largest Supplier of Electrical and Electronic Components

Click to view similar products for [D-Sub Standard Connectors](#) category:

Click to view products by [TE Connectivity](#) manufacturer:

Other Similar products are found below :

[56F711-015](#) [012-9507-004](#) [LV242999-142T12](#) [015-0341-000](#) [015-0372-005](#) [015-0372-008](#) [015-8755-001](#) [020419-0104](#) [012-0467-000](#) [012-0515-000](#) [012-9507-034](#) [012-9507-114](#) [020745-0008](#) [609-25P](#) [M24308/2-23Z](#) [CT2-14S-2PCA34](#) [CT2-18-11PCAU](#) [CT6-10SL-3SC](#) [CT6-10SL-4SC](#) [CT6-14S-2SC](#) [CT6E14SA7SC](#) [M83513/01-FC](#) [M83723/76W24619 L/C](#) [M85049/48-3-2F](#) [6STD09PCM99B70X](#) [6STD09SCM99B30X](#) [6STD09SCT99S40X](#) [6STD15PCT99S40X](#) [6STD15SCM99B30X](#) [6STD15SCT99S40X](#) [6STF09PCM05B70X](#) [7-135760-9](#) [MC11E-10-6SN](#) [747552-3](#) [MD1-21PS](#) [MDM-15SCBRM7-F222](#) [MDM96517-699](#) [MDM96521-744](#) [MDVB1-21SL1](#) [MIK0-1-7SH003](#) [MIKQ6-7SH076](#) [MIKQ7-7PH077](#) [MIKQ7-7PH11](#) [MIKQ7-7PH32](#) [MJSV-28SL61](#) [MKJ4A1F14-55S](#) [8-135760-3](#) [8STD09PCM99B30X](#) [PG-KV/PV-16-GROM-SEALING](#) [GDA15P](#)