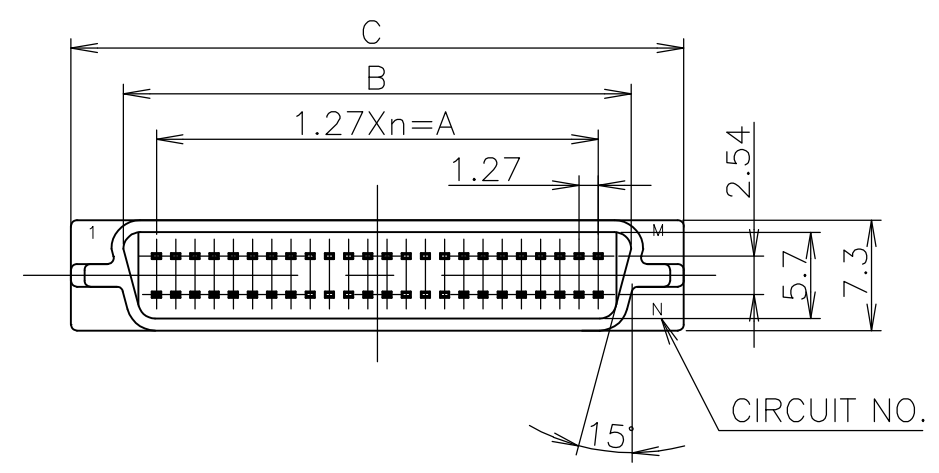
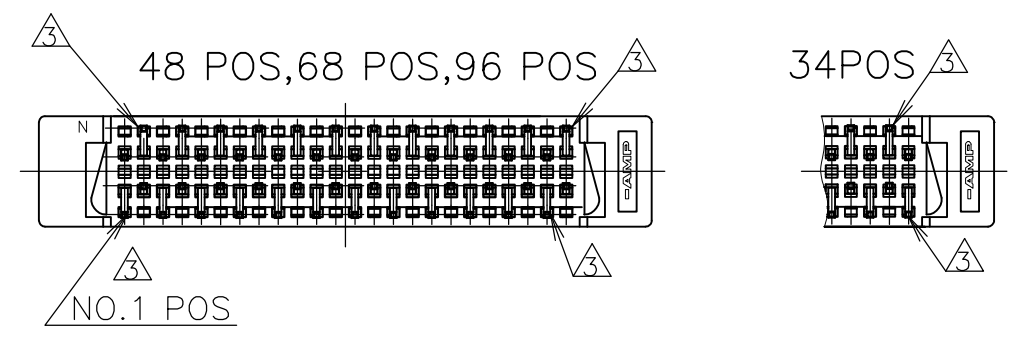
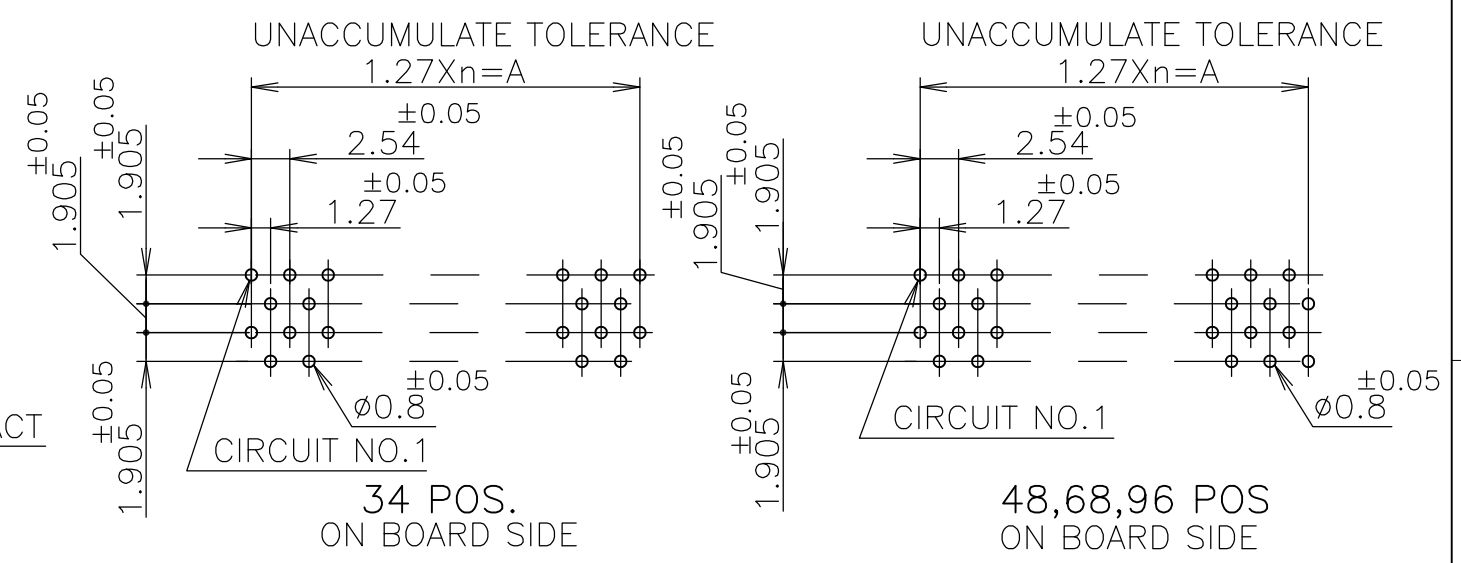
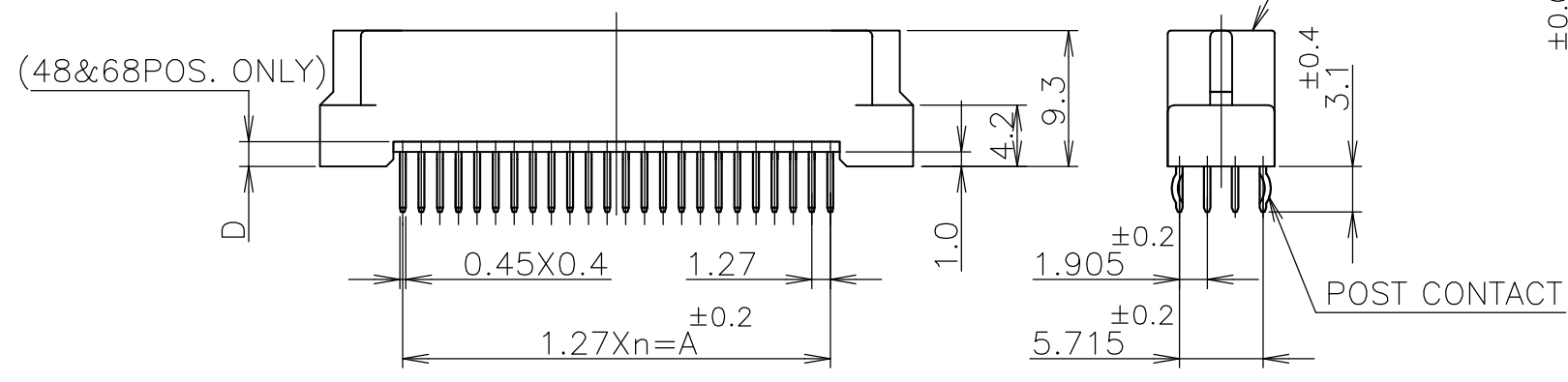


THIS DRAWING IS UNPUBLISHED. RELEASED FOR PUBLICATION AUG, 2005.
 © COPYRIGHT 2005 By - ALL RIGHTS RESERVED.

LOC	DIST	REVISIONS					
J	/	P	LTR	DESCRIPTION	DATE	DWN	APVD
		R		REVISED PER ECO-15-002720	02MAR2015	AP	SB



- 1 MATERIAL AND FINISH
 CAP HOUSING ; THERMOPLASTIC (UL94V-0) COLOR:BLACK
 POST CONTACT ; COPPER ALLOY FINISH,OVER NICKEL
 MATING END:0.0002 MIN. OR 0.00076 MIN. GOLD
 TERMINATION END:TIN OVER SEALING TREATMENT.
- 2 P.C.B. LAYOUT AND P.C.B. TREATMENT(REF.)
 USE A P.C.B. SURFACE ARE TREATED WITH SOLDER RESIST.
- 3 KINK POSITIONS(4 POSITIONS).
- 4 OBSOLETE PARTS: OBSOLETE CIS STREAMLINING PER D.RENAUD/D.SINISI



4 OBSOLETE	Au PL. 0.00076 MIN.	96	48	59.69	64.06	71.00	—	47	96	6	—	—	8
		68	34	41.91	46.28	53.22	1.7	33	68	6	—	—	7
		48	24	29.21	33.58	40.52	1.7	23	48	6	—	—	6
		34	17	20.32	24.69	31.63	—	16	34	6	—	—	5
4 OBSOLETE	Au PL. 0.0002 MIN.	96	48	59.69	64.05	71.00	—	47	96				8
		68	34	41.91	46.28	53.22	1.7	33	68				7
		48	24	29.21	33.58	40.52	1.7	23	48				6
		34	17	20.32	24.69	31.63	—	16	34				5
REMARK		N	M	A	B	C	D	n	POS.	PART NO.			

GENERAL TOLERANCE
 一般公差
 10 ≥ : ±0.2
 30 ≥ > 10: ±0.25
 100 ≥ > 30: ±0.3
 ANGLES: ±3°

THIS DRAWING IS A CONTROLLED DOCUMENT.

DIMENSIONS: 単位: 耗 mm

TOLERANCES UNLESS OTHERWISE SPECIFIED: 一般公差

0 PLC ± -
 1 PLC ± -
 2 PLC ± -
 3 PLC ± -
 4 PLC ± -
 ANGLES ± -

MATERIAL 材料

FINISH 仕上

DWN T.KAWAMAE 04AUG05
 CHK T.SASAKI 04AUG05
 APVD T.SASAKI 04AUG05

PRODUCT SPEC 製品規格
 APPLICATION SPEC 取付適用規格

WEIGHT

CUSTOMER DRAWING

SCALE 尺度 2:1

SHEET 1 OF 1

REV R

RESTRICTED TO

STE TE Connectivity

CAP ASSY VERTICAL (W/KINK)
 AMPLIMITE 050 SERIES I B-TO-B CONN.

NAME 名称
 SIZE A3
 CAGE CODE 00779
 DRAWING NO 番号 C-5174683

X-ON Electronics

Largest Supplier of Electrical and Electronic Components

Click to view similar products for [D-Sub Standard Connectors](#) category:

Click to view products by [TE Connectivity](#) manufacturer:

Other Similar products are found below :

[DCM37S732N](#) [DAM15P500](#) [DEV09S364GTLF](#) [DEM09P032N](#) [DDM50P732N](#) [DAM15S332N](#) [173109-2218](#) [173109-2466](#) [173109-2469](#)
[173109-2435](#) [56F706-005-LI](#) [56F711-015](#) [015-0341-000](#) [017041-0005](#) [012-9507-114](#) [012-9534-001](#) [609-25P](#) [M24308/2-23Z](#) [M243082310F](#)
[M24308/2-36Z](#) [M243082411F](#) [M24308315F](#) [M24308/4-21](#) [M243084437F](#) [CT0M22-23SS](#) [CT1N36-5SC](#) [CT2-16S-17PS](#) [CT2-20-15PCAU](#)
[CT2-24-12PS](#) [CT2-24-28PSF127A206](#) [CT6F9767-14-4-14S-5PC](#) [CT7-18-10SC](#) [CT7-18-10SCAU](#) [CT7-18-12SCAU](#) [CT7-18-1PC](#) [CT7-18-](#)
[1PCAU](#) [CT7-18-1SC](#) [CT7-18-21SCAU](#) [CT9-16-12PS](#) [M83513/01-FC](#) [M83723/76W24619 L/C](#) [M85049/48-3-2F](#) [69001-865](#)
[6STD09PCM99B70X](#) [6STD09SCM99B30X](#) [6STD09SCT99S40X](#) [6STD15PCT99S40X](#) [6STD15SCM99B30X](#) [6STD15SCT99S40X](#)
[6STF09PCM05B70X](#)