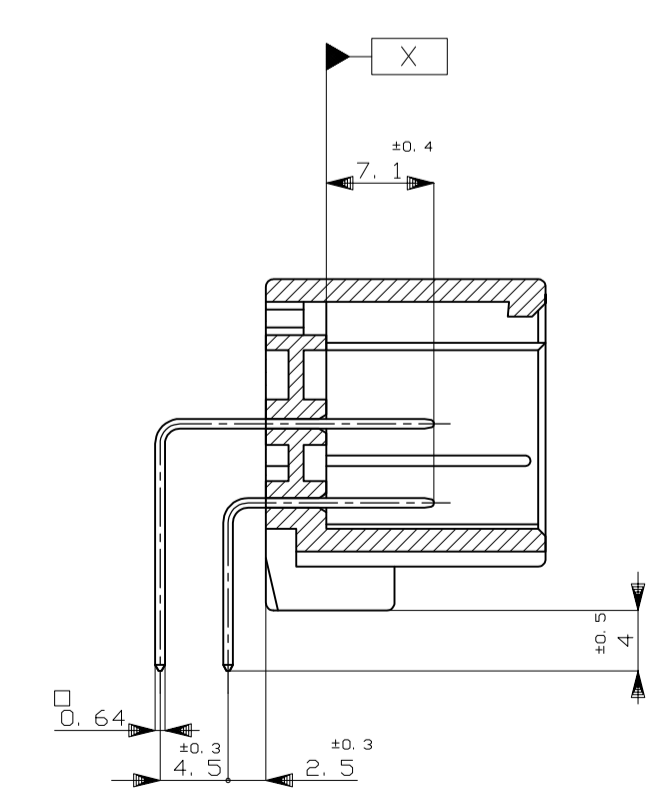
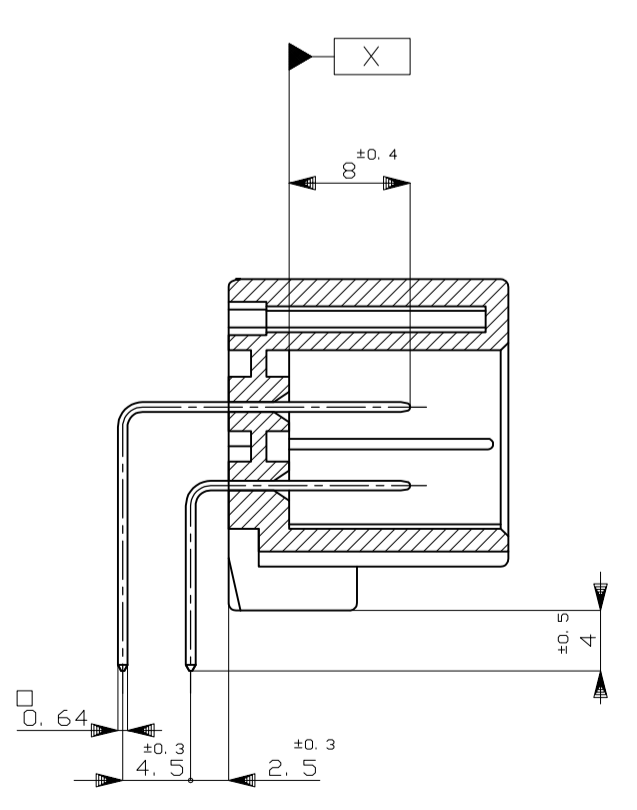
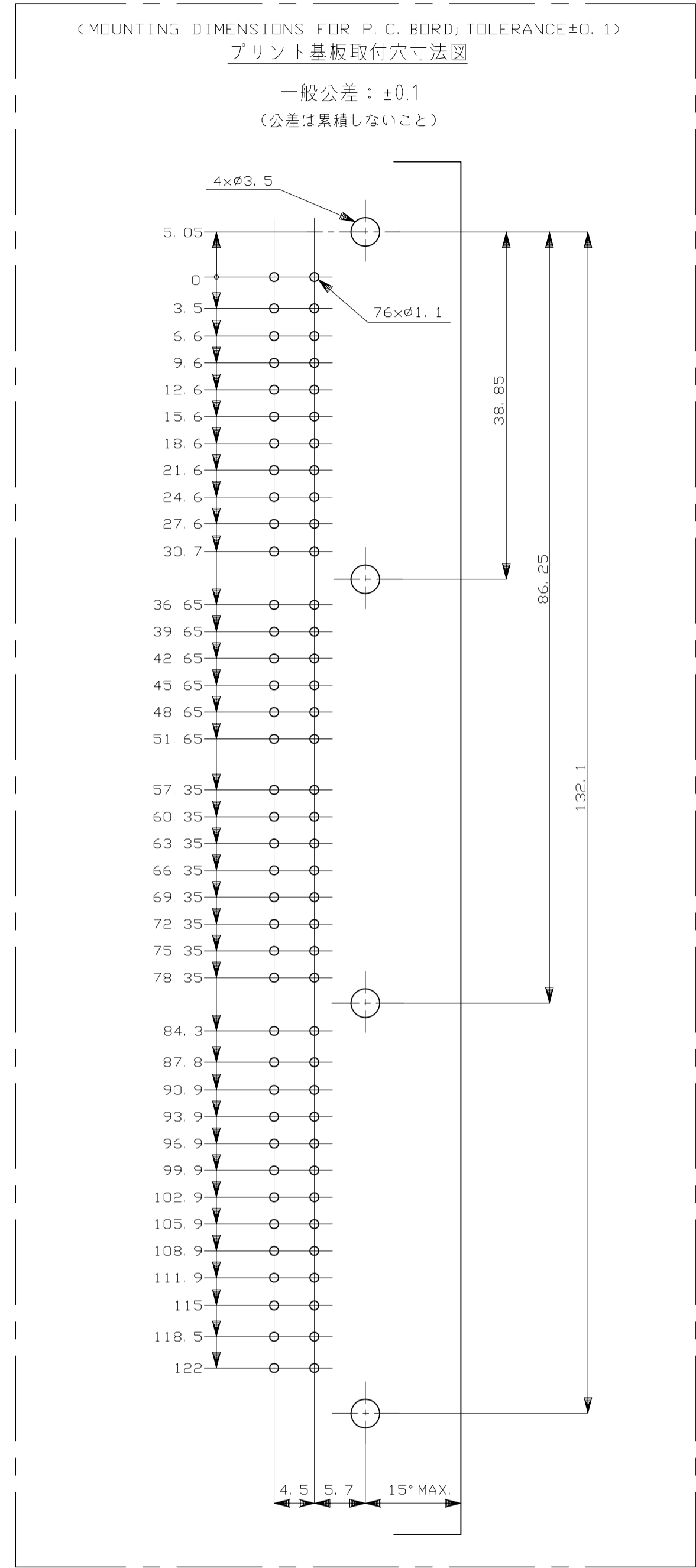
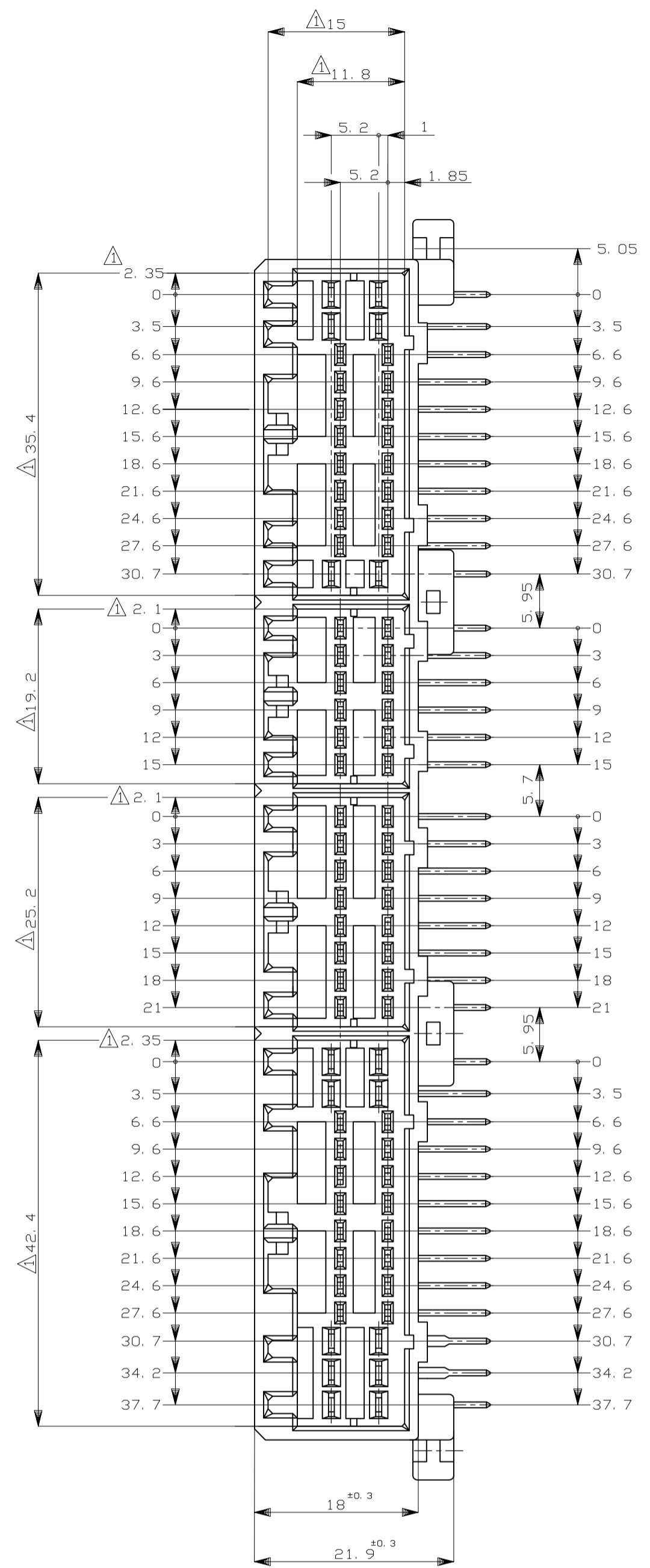
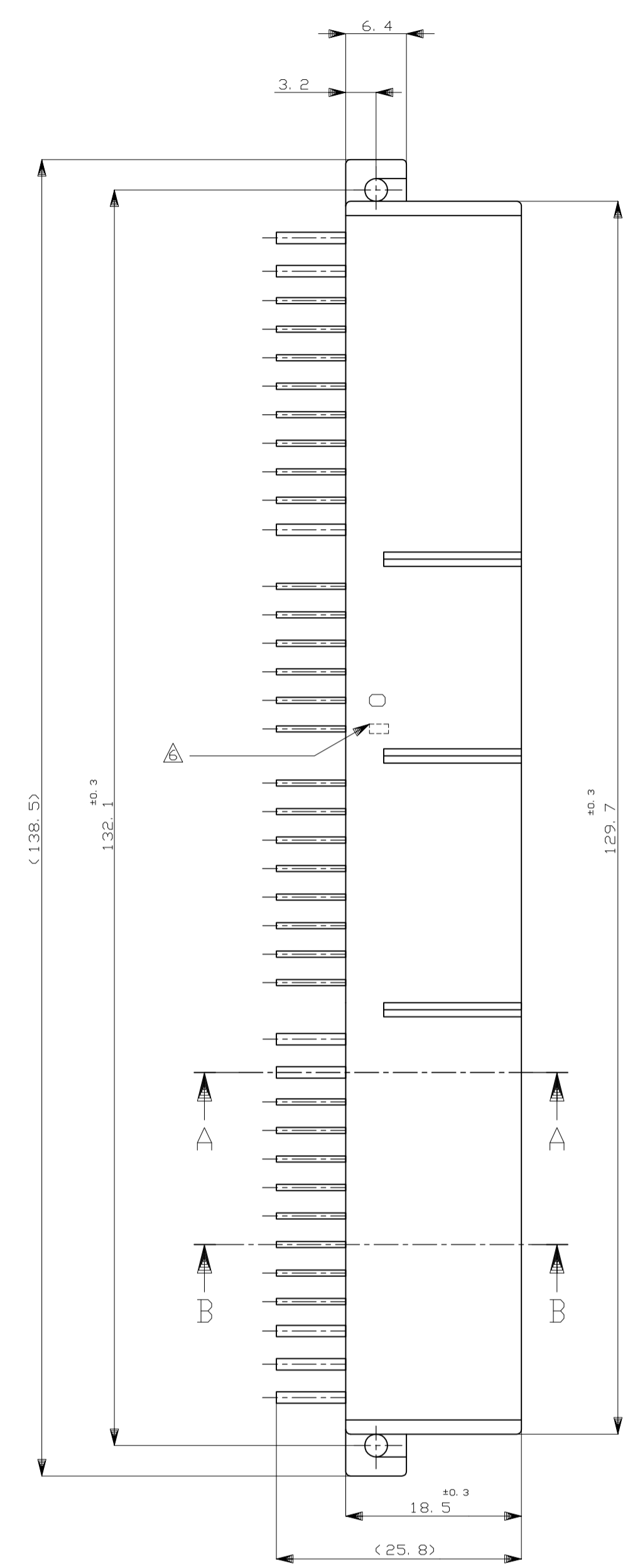
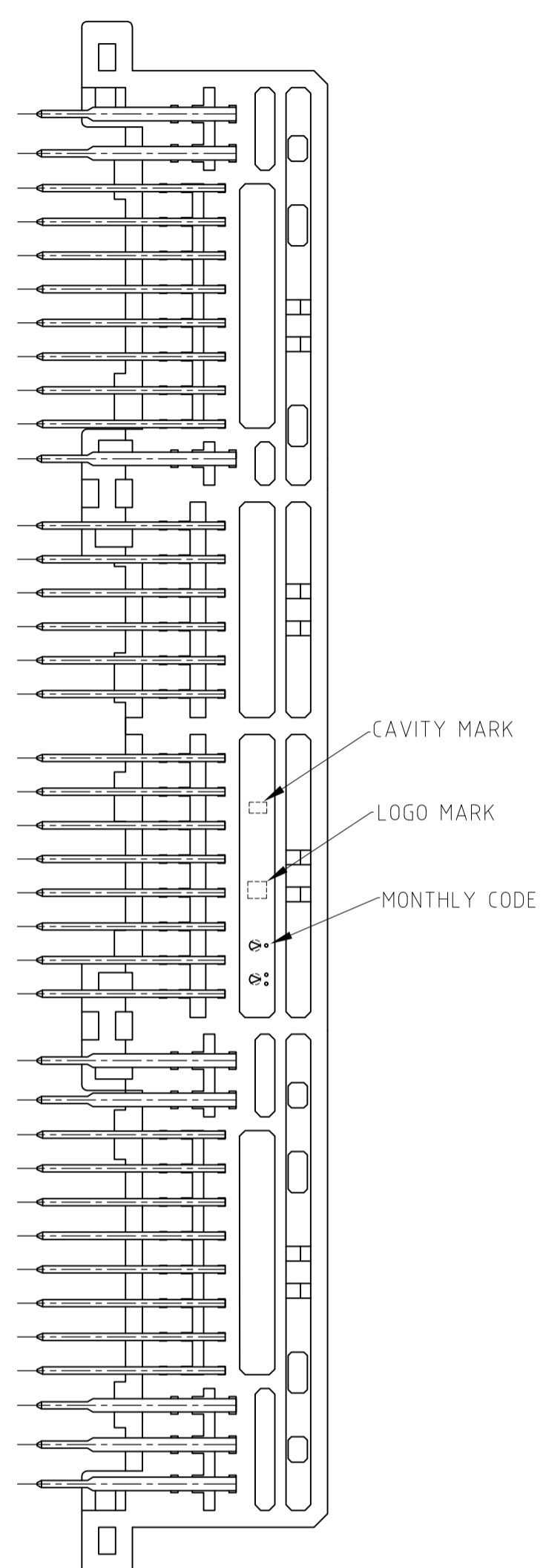
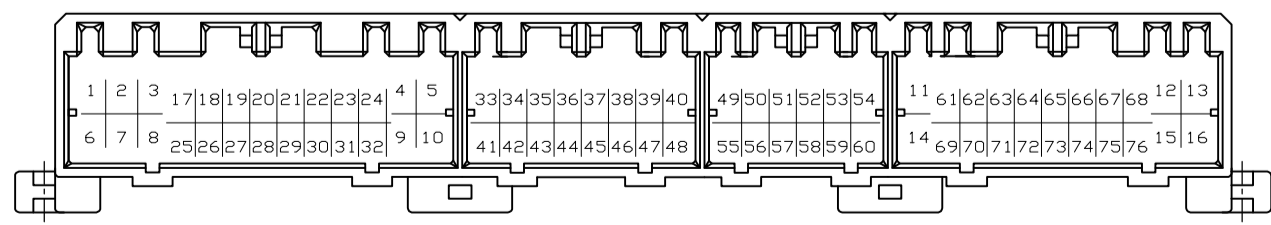


REVISIONS					
REV	DATE	DESCRIPTION	BY	CHK	APPV
H6	05SEP2016	REVISD	KF	HY	



- △ MUST BE KEPT BETWEEN [X] AND 2
- 2. THE MATING PLUG HSG. PART NUMBER: 174516, 174515, 174514, 174913, 917992, 917989, 917981, 917975
- 3. RECOMMENDED MOUNTING SCREW: 3mm DIA, 6mm LENGTH (MAX.) PAN HEAD, CLASS 2 TAPPING SCREW SPECIFIED IN JIS B1115, B1122 (TIGHTENING TORQUE: 4kg-cm MAX.)
- △ APPLICABLE PRODUCT SPEC NO.: 108-5280, 108-5342
- △ CIRCUIT NUMBER  
POWER CIRCUIT NO. ①~⑩  
SIGNAL CIRCUIT NO. ⑪~⑰
- △ INDICATED PREFIX AND ID MARK OF PRODUCT P/N BY COLOR HOT MARK (APPLICABLE 0-174915-6 [0], 2-174915-7 [2], [3]-174915-6 [3], 4-174915-1 [4], 5-174915-7 [5])

- △ [X] 面から 2mm の範囲で測定
- 2. 嵌合相手 ハウジング型番 174516, 174515, 174514, 174913, 917992, 917989, 917981, 917975
- 3. 推奨取付ねじ: JIS B1115, B1122 タンピンねじ, なべ2種 呼び径 3, 長さ 6mm 以下 (締付けトルク: 4kg-cm 以下)
- 4. 適用製品規格番号: 108-5280, 108-5342
- △ 回路番号:  
パワー回路 ①~⑩  
シグナル回路 ⑪~⑰
- △ 適用製品型番のプリフィックス及びIDマークを カラーネットマークにて表示 (適用製品型番 0-174915-6 [0], 2-174915-7 [2], [3]-174915-6 [3], 4-174915-1 [4], 5-174915-7 [5])



PLC	FINISH	CONTACT SIDE	POWER CIRCUIT NO.	SIGNAL CIRCUIT NO.	HOUSING COLOR	PART NUMBER
54	SELECTIVE-TIN (MATTE)	SELECTIVE GOLD x 9	-	-	NATURAL	4-5174915-1
56	SELECTIVE-TIN (MATTE)	PRE-TIN x 67	12, 13, 14	-	GRAY	6-5174915-6
53	SELECTIVE-TIN (MATTE)	SELECTIVE GOLD x 3	-	-	GRAY	3-5174915-6
55	SELECTIVE-TIN (MATTE)	SELECTIVE GOLD x 14	-	-	GRAY	4-5174915-6
52	SELECTIVE-TIN (MATTE)	SELECTIVE GOLD x 22	-	-	YELLOW	2-5174915-7
55	SELECTIVE-TIN (MATTE)	SELECTIVE GOLD x 60	-	-	YELLOW	5-5174915-7
5	TIN-LEAD	PRE-TIN x 16	-	-	YELLOW	5-174915-7
4	TIN-LEAD	SELECTIVE GOLD x 9	-	-	NATURAL	4-174915-1
2	TIN-LEAD	PRE-TIN x 61	-	-	YELLOW	2-174915-7
0	TIN-LEAD	SELECTIVE GOLD x 22	-	-	GRAY	174915-6
0	PRE-TINNED x 76	-	-	-	GRAY	174915-6

THIS DRAWING IS A CONTROLLED DOCUMENT.

STE TE Connectivity

76POSITION CAP HOUSING ASSY  
040/070 SERIES HYBRID I/O CONNECTOR

00779 174915

SCALE 2:1 SHEET 1 OF 1 REV H6

## X-ON Electronics

Largest Supplier of Electrical and Electronic Components

*Click to view similar products for [Automotive Connectors](#) category:*

*Click to view products by [TE Connectivity](#) manufacturer:*

Other Similar products are found below :

[003-018-000](#) [60403001](#) [60993906-B](#) [M902-2131](#) [M902-2161](#) [M902-2344](#) [72.330.1035.1](#) [73.353.4028.0](#) [F119300-B](#) [F166900](#) [F258300-B](#)  
[F358300-B](#) [F407400](#) [F444110](#) [F487000](#) [F509500B-B](#) [827153-1](#) [8N1515-32-24P](#) [9-1326729-8](#) [925474-1](#) [928905-1](#) [964562-4](#) [968782-1](#)  
[GT17SA-8DS-HU](#) [98891-1012](#) [98947-1016](#) [12004147](#) [12004475-L](#) [12010290](#) [12010309-B](#) [12015454](#) [12020219-B](#) [12041318-B](#) [12052225-](#)  
[L](#) [12052466](#) [12064869](#) [12004327-B](#) [12015308](#) [12015384](#) [12015909](#) [1-21030-1](#) [12041254](#) [12041318](#) [12047946-B](#) [12047957](#) [12047957-L](#)  
[12059473](#) [12066261](#) [12110546](#) [12110546-B](#)