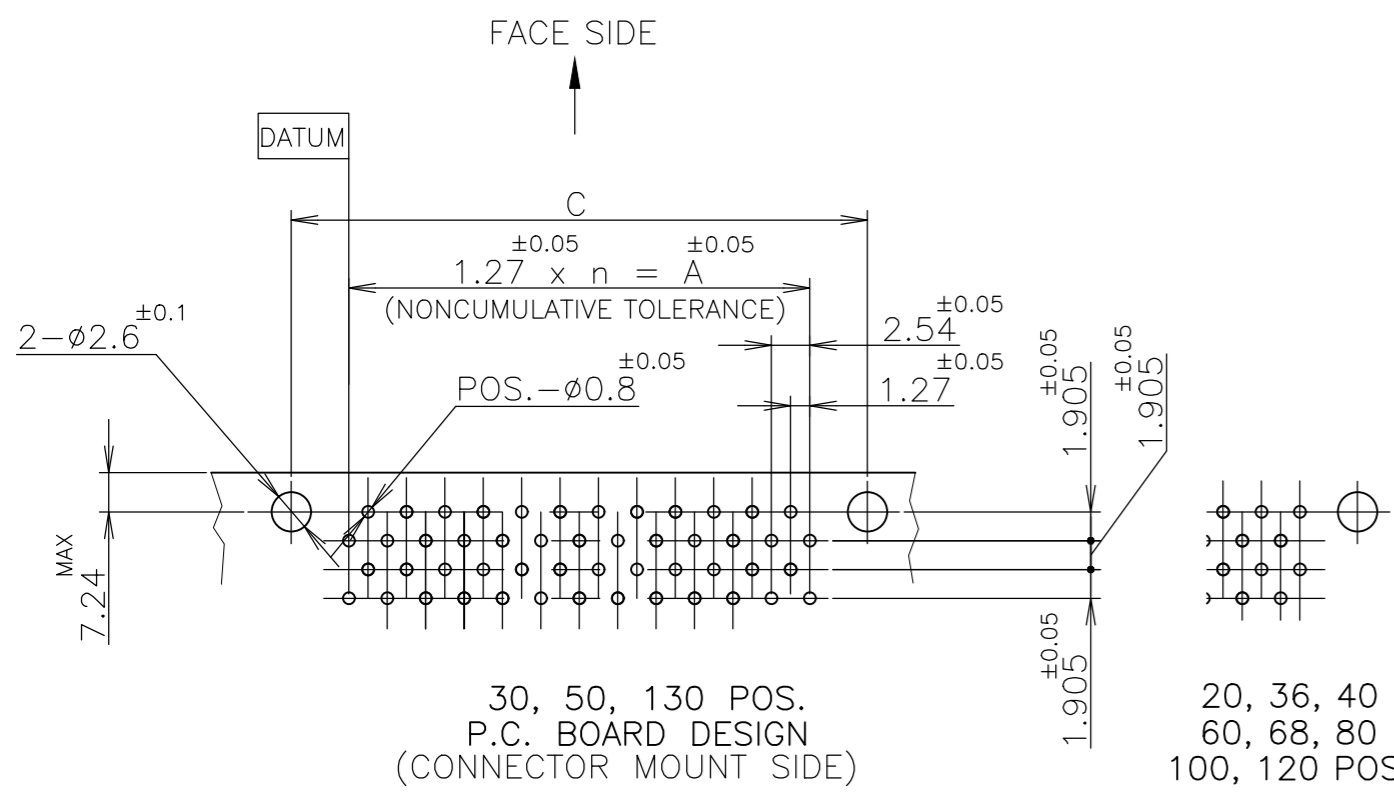
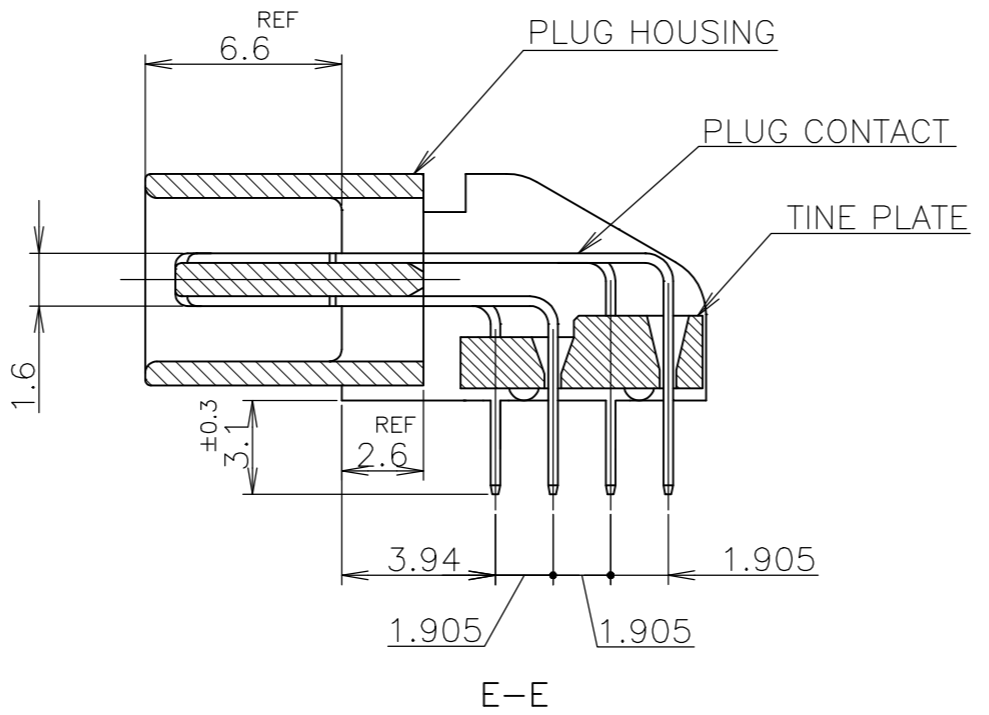
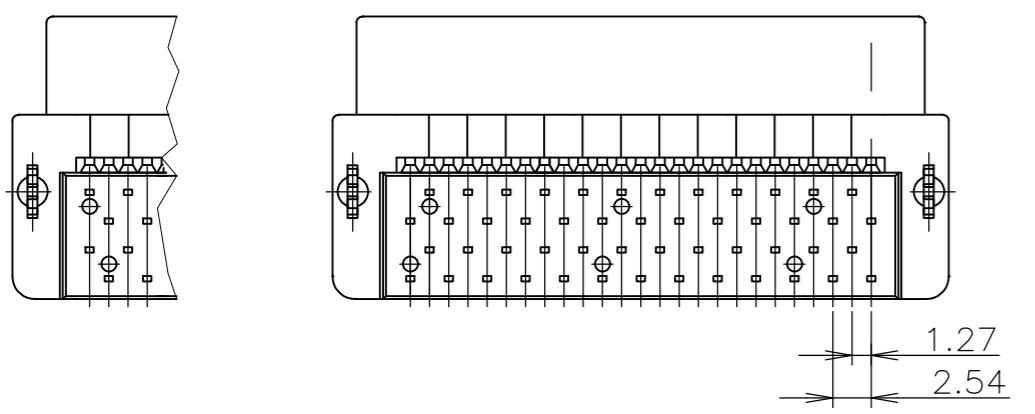
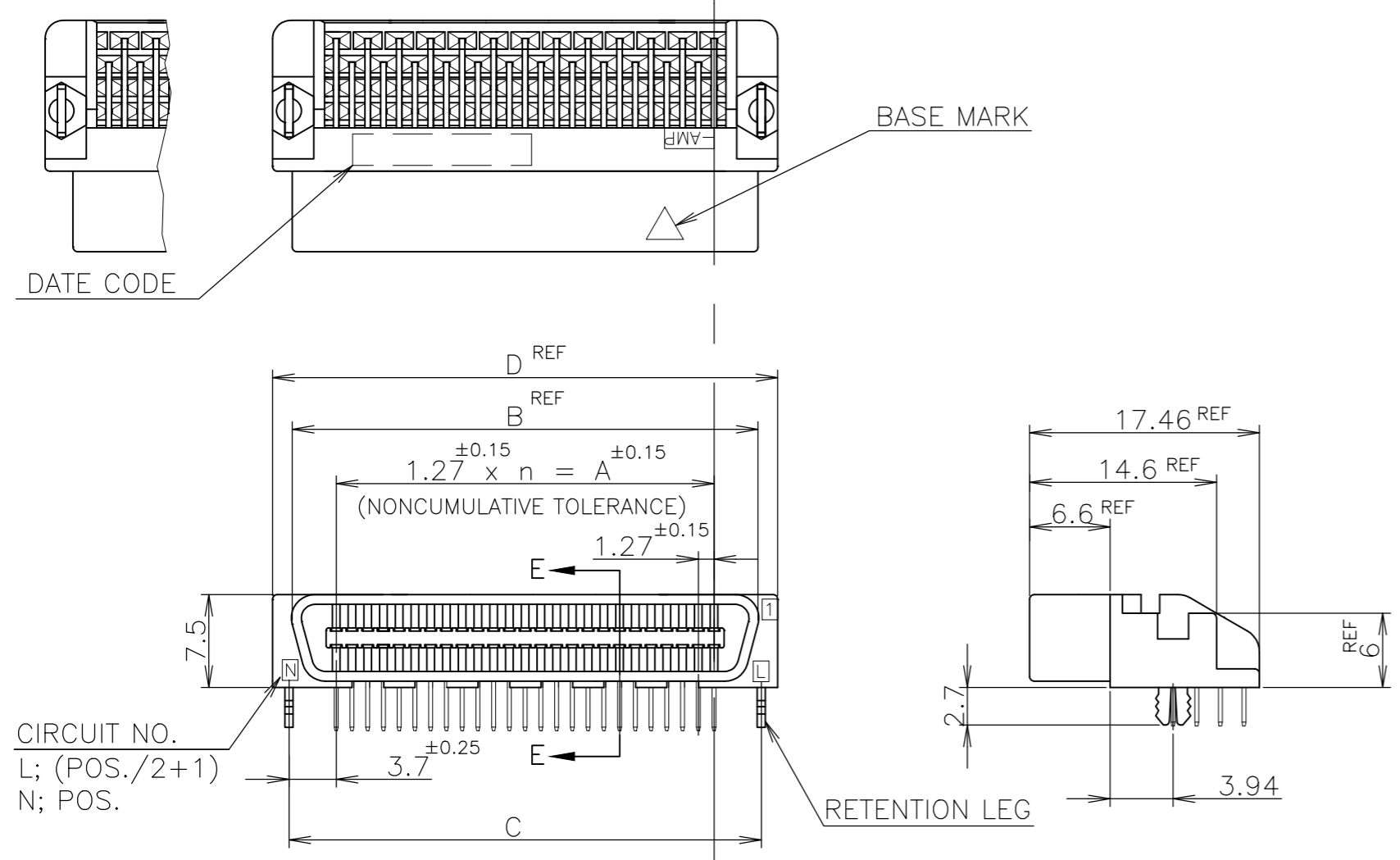


REVISIONS					
P	LTR	DESCRIPTION	DATE	DWN	APVD
C		REVISED PER ECO-17-008763	22JAN2018	RG	SH

20, 40, 60, 68, 80  
100, 120 POS.  
30, 50, 130 POS.

- 1 NUMBER "n" IS COUNTED FROM DATUM (CIRCUIT NO.1 IS "AMP" MARK SIDE.)
- MATERIA: HOUSING, 66 NYLON (GF) UL 94V-0, BLACK.  
: CONTACT, PHOSPHOR BRONZE.  
: RETENTION LEG; BRASS.
- FINISH: CONTACT; Au AT CONTACT AREA (SEE TABLE), TIN AT TINE, OVER Ni.  
RETENTION LEG; TIN UNDER Ni.



OBSOLETE	6	-2		130	64	81.28	89.62	88.68	92.48		
OBSOLETE	6	-1		120	59	74.93	83.27	82.33	86.13		
	6	-0		100	49	62.23	70.57	69.63	73.43		
	5	-9		80	39	49.53	57.87	56.93	60.73		
	5	-8		68	33	41.91	50.25	49.31	53.11		
	5	-7		60	29	36.83	45.17	44.23	48.03		
	5	-6		50	24	30.48	38.82	37.88	41.68		
	5	-5		40	19	24.13	32.47	31.53	35.33		
	5	-4		36	17	21.59	29.93	28.99	32.79		
OBSOLETE	5	-3		30	14	17.78	26.12	25.18	28.98		
OBSOLETE	5	-1	0.00076	20	9	11.43	19.77	18.83	22.63		
OBSOLETE	4	-2		130	64	81.28	89.62	88.68	92.48		
	4	-1		120	59	74.93	83.27	82.33	86.13		
	4	-0		100	49	62.23	70.57	69.63	73.43		
	3	-9		80	39	49.53	57.87	56.93	60.73		
	3	-8		68	33	41.91	50.25	49.31	53.11		
	3	-7		60	29	36.83	45.17	44.23	48.03		
	3	-6		50	24	30.48	38.82	37.88	41.68		
	3	-5		40	19	24.13	32.47	31.53	35.33		
OBSOLETE	3	-4		36	17	21.59	29.93	28.99	32.79		
	3	-3		30	14	17.78	26.12	25.18	28.98		
	3	-1	0.0005	20	9	11.43	19.77	18.83	22.63		
OBSOLETE	1	-2		130	64	81.28	89.62	88.68	92.48		
	1	-1		120	59	74.93	83.27	82.33	86.13		
	1	-0		100	49	62.23	70.57	69.63	73.43		
OBSOLETE		-9		80	39	49.53	57.87	56.93	60.73		
		-8		68	33	41.91	50.25	49.31	53.11		
		-7		60	29	36.83	45.17	44.23	48.03		
OBSOLETE		-6		50	24	30.48	38.82	37.88	41.68		
OBSOLETE		-5		40	19	24.13	32.47	31.53	35.33		
		-4		36	17	21.59	29.93	28.99	32.79		
		-3		30	14	17.78	26.12	25.18	28.98		
				20	9	11.43	19.77	18.83	22.63		
				5175472-1	0.0002						
				PART NO.	Au PLATE	POS.	n	A	B	C	D

LEAD FREE

GENERAL TOLERANCE  
 10 ≥ ±0.2  
 30 > 10: ±0.25  
 100 ≥ > 30: ±0.3  
 ANGLES: ±3°

THIS DRAWING IS A CONTROLLED DOCUMENT.

DWN Julyee Zhu 18AUG2004	TE Connectivity Ltd.
CHK Steven Yao 18AUG2004	
APVD Ikuo Enomoto 18AUG2004	
NAME	
PRODUCT SPEC 108-60038	AMP CHAMP .050 CONNECTOR (B-T-B) PLUG CONNECTOR (HORIZONTAL WITH RETENTION LEG)
APPLICATION SPEC	SIZE CAGE CODE DRAWING NO. RESTRICTED TO
WEIGHT 0.000000	A2 00779 C=5175472
CUSTOMER DRAWING	SCALE NTS SHEET 1 OF 1 REV C

## X-ON Electronics

Largest Supplier of Electrical and Electronic Components

*Click to view similar products for te connectivity manufacturer:*

Other Similar products are found below :

[570416-000](#) [CLTEQ-M81CE-SSRELAY-4-20V](#) [D38999/24FJ4AN](#) [358838-000](#) [4-1195131-0](#) [650069-000](#) [SMD100-2](#) [CB-1022B-78](#)  
[RM707012](#) [RP410012](#) [MMS42](#) [1-640426-8](#) [2EDL4CM](#) [DTS20W19-11PD-3028-LC](#) [RM202615](#) [NC6-P104-06](#) [MSPS103B](#) [DTS26F21-41AE](#) [DTS26F21-41PE-LC](#) [DTS26F21-11SE-3028-LC](#) [1932144-1](#) [293545-4](#) [LVR125S](#) [MS27466T25F4PB](#) [CKB-38-78010](#)  
[1206SFF150F/63-2](#) [D38999/20JB35HA](#) [D38999/24WJ20PA](#) [1754138-1](#) [TE1500A2R2J](#) [DTS24F25-29PC-3028-LC](#) [D38999/24WG11HA](#)  
[D38999/24WG11HN](#) [MS27467T21F11H](#) [DJT16E21-11HA](#) [1206SFH150F/24-2](#) [DTS24F19-11SC-3028-LC](#) [DTS24F21-41HN-LC](#)  
[DTS24F21-41AN](#) [DTS24F21-41PN-LC](#) [MS27467T21F35J](#) [MS27467T21F11J](#) [MS27467T21F16H-LC](#) [MS27467T21F35H](#)  
[MS27467T21F41H-LC](#) [DJT16E21-11PA-LC](#) [DJT16E21-11HA-LC](#) [DJT16E21-11AA](#) [MS27467T21B11JA](#) [DJT16E21-11JA](#)