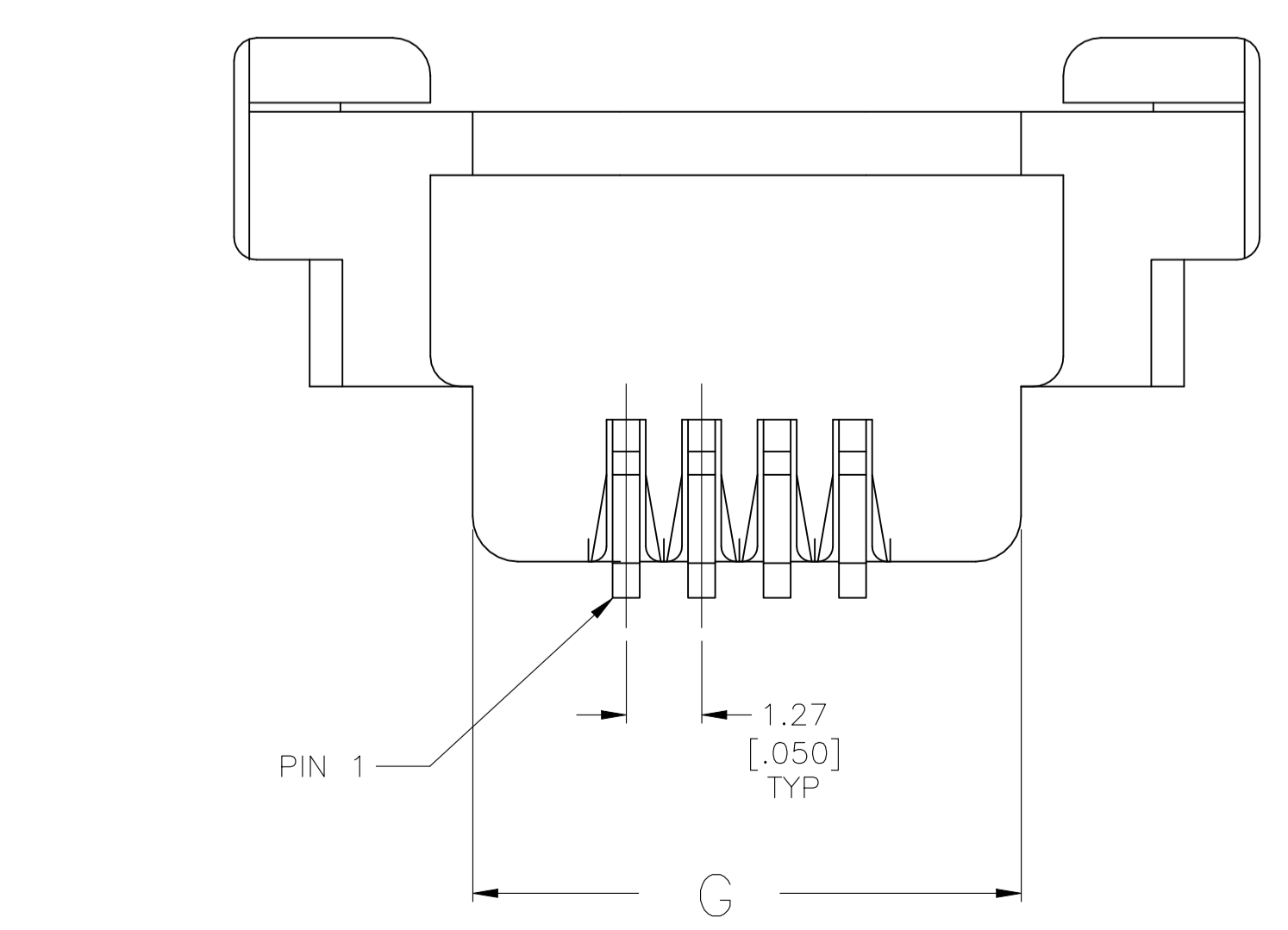
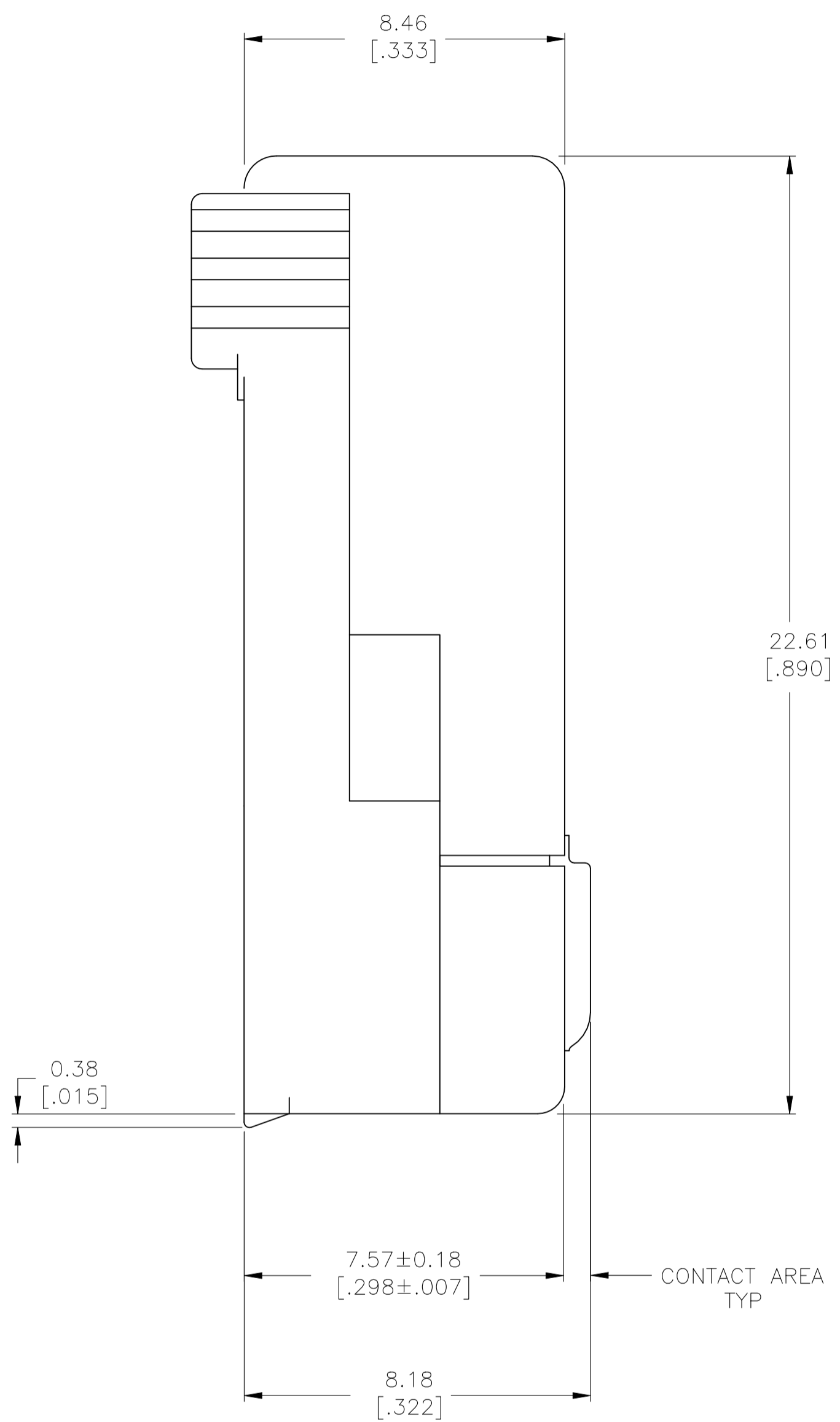
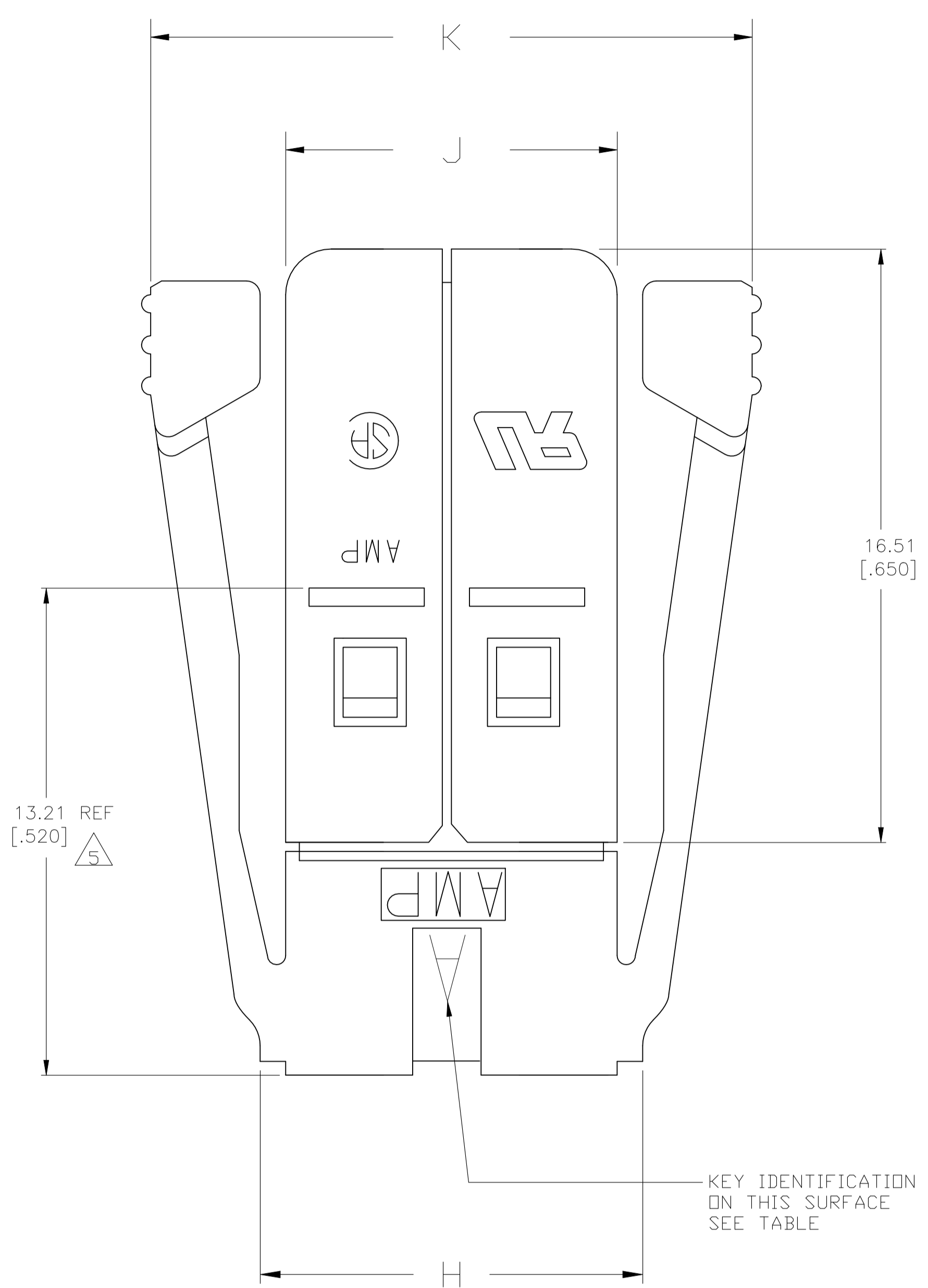


REVISIONS				
REV	DESCRIPTION	DATE	BY	APP'D
B1	ECC-21-001948	15FEB2021	RR	SZ



1. PREFIX AND SUFFIX NUMBERS MUST MATCH THOSE ON RECEPTACLE FOR PARTS TO MATE.
- 2 MATERIAL:
 - HOUSING- POLYCARBONATE
 - CONTACT- COPPER ALLOY
 - SHIELD- BRASS
- 3 FINISH:
 - HOUSING- SMOKE GRAY
 - CONTACT- 0.00127[.000050] MIN NICKEL OVER ENTIRE PART, 0.00002[.000001] GOLD FLASH OVER ENTIRE PART, 0.00127[.000050] MIN GOLD OVER CONTACT AREA.
 - SHIELD: 0.00076[.000030] BRIGHT TIN OVER 0.00127[.000050] MIN NICKEL.
- 4 CABLES SHOULD MEET AMP DRAWING SPECIFICATIONS 520471-1.
- 5 INSERTION DEPTH INTO RECEPTACLE.
6. BULK CABLE ARE NOT AVAILABLE FROM AMP INC.
- 7 CABLES SHOULD MEET AMP DRAWING SPECIFICATIONS 520475-1.
- 8 CABLES SHOULD MEET AMP DRAWING SPECIFICATIONS 520477-1.
- 9 CABLES SHOULD MEET AMP DRAWING SPECIFICATIONS 520473-1.
10. FOR TERMINATION OF 24 AWG, 7 STRANDED, FLAT RIBBON CABLE WITH 1.27[.050] NOMINAL O.D. CONDUCTOR INSULATION PER LISTED DRAWING SPECIFICATIONS.
- 11 OBSOLETE PARTS: OBSOLETE CIS STREAMLINING PER D.RENAUD/D.SINISI

REV	DESCRIPTION	DATE	BY	APP'D	NO OF POSN	KEY I.D. LETTER	PART NO
					16	E	5-1761184-6
					8	E	5-1761184-3
OBSOLETE					6	E	5-1761184-2
					4	E	5-1761184-1
					4	D	4-1761184-1
OBSOLETE					8	C	3-1761184-3
					6	C	3-1761184-2
OBSOLETE					4	C	3-1761184-1
OBSOLETE					4	B	2-1761184-1
OBSOLETE					16	A	1-1761184-6
					8	A	1-1761184-3
OBSOLETE					6	A	1-1761184-2
					4	A	1-1761184-1

THIS DRAWING IS A CONTROLLED DOCUMENT.

DIN B MCMASITER 21APR04
C ROHDE 21APR04

APPROVED: M. WALMSLEY 21APR04 NAME: PLUG ASSY, FLAT CABLE, 50 SERIES, SDL

PRODUCT SPEC: 108-2047

APPLICATION SPEC: 114-2086

SIZE: A1 CAGE CODE: 00779 DRAWING NO: 1761184

RESTRICTED TO: -

MATERIAL: 2 FINISH: 3 WEIGHT: 0.000000

CUSTOMER DRAWING SCALE: 5:1 SHEET: 1 OF 1 REV: B1

X-ON Electronics

Largest Supplier of Electrical and Electronic Components

Click to view similar products for [Modular Connectors / Ethernet Connectors](#) category:

Click to view products by [TE Connectivity](#) manufacturer:

Other Similar products are found below :

[RJE231881317T](#) [MP1010RX-1000](#) [MP44RX-1000](#) [GAX-3-66](#) [GAX-8-62](#) [93606-0253](#) [GD-A-44](#) [GDCX-PA-66-50](#) [GDCX-PN-64](#) [GDCX-PN-66](#) [GDCX-PN-66-50](#) [GDLX-A-66](#) [GDLX-A-88](#) [GDLX-N-66](#) [GDLX-S-66](#) [GDLX-S-88K](#) [GDTX-S-88-50](#) [GDX-PA-1010](#) [GLX-N-1010M-BLK](#) [GLX-S-88M-BLK](#) [GMX-N-1010](#) [GMX-S-1010](#) [GMX-S-66](#) [GMX-SMT2-N-1010](#) [GMX-SMT2-N-64-50](#) [GMX-SMT2-N-88](#) [GMX-SMT2-S6-88](#) [GMX-SMT4-N-88](#) [GPX-2-64](#) [GRT1-BT1-5](#) [GSGX-N-2-88](#) [GSX-NS2-88-3.05](#) [GSX-NS2-88-3.05-50](#) [GSX-NS-88-3.05-30](#) [GSX-NS-88-3.05-50](#) [GSX-NS-88-3.68](#) [1-1775629-2](#) [GWLX-S-88-GR](#) [GWLX-S9-88-YG](#) [1300500326](#) [1300500227](#) [1300530003](#) [1300570002](#) [1324640-4](#) [RJ11FTVC2G](#) [RJ11FTVC2N](#) [RJFTVX2SA1G](#) [132764-001](#) [1400000](#) [1413235](#)