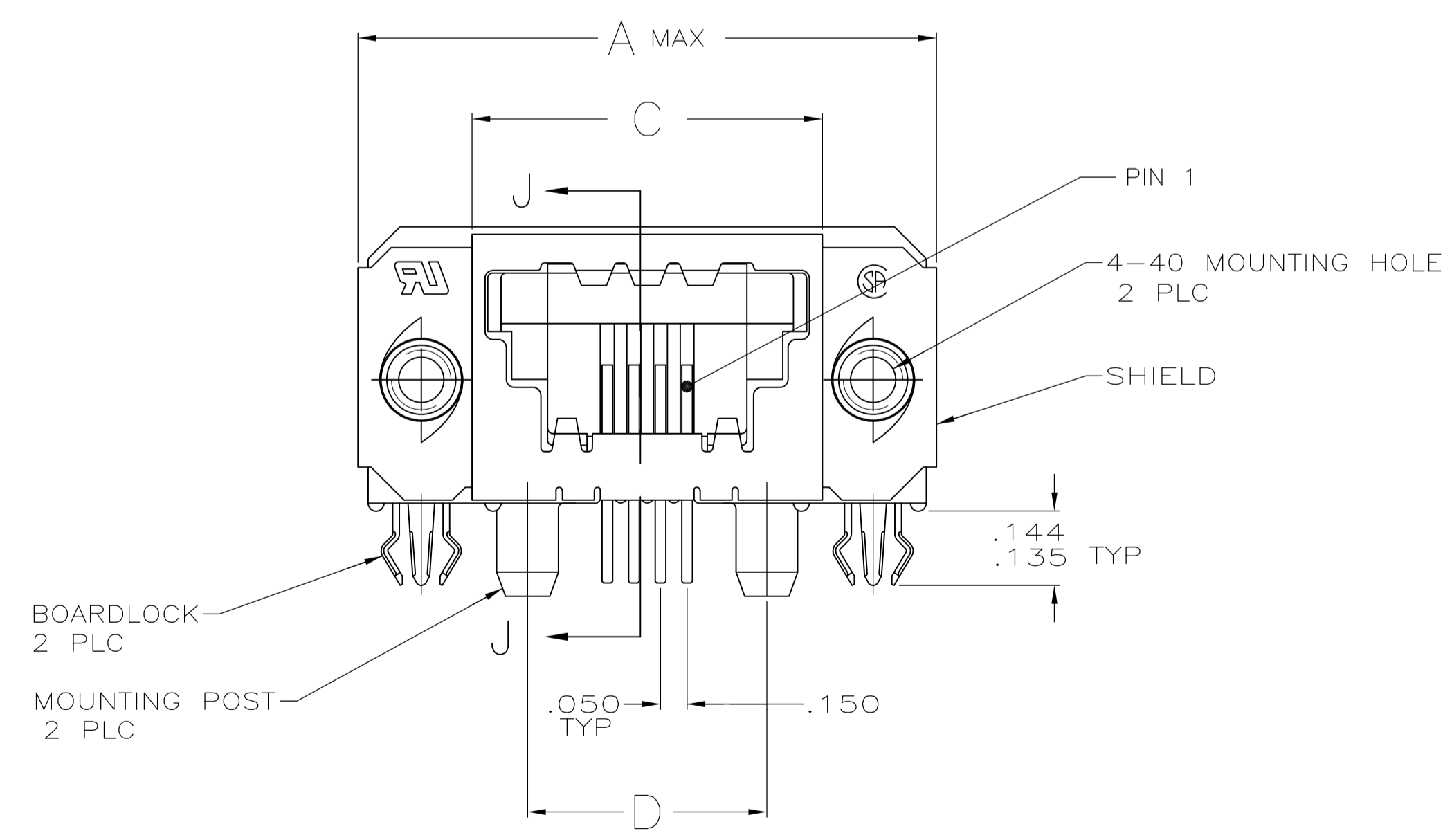
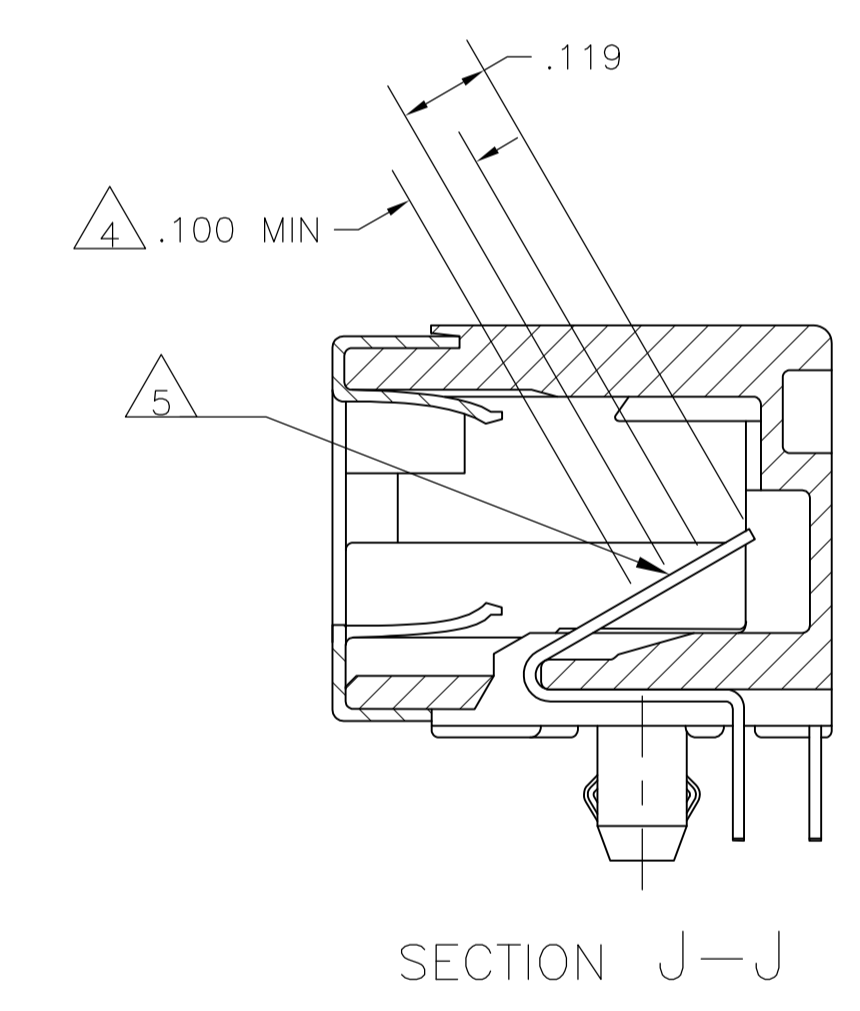
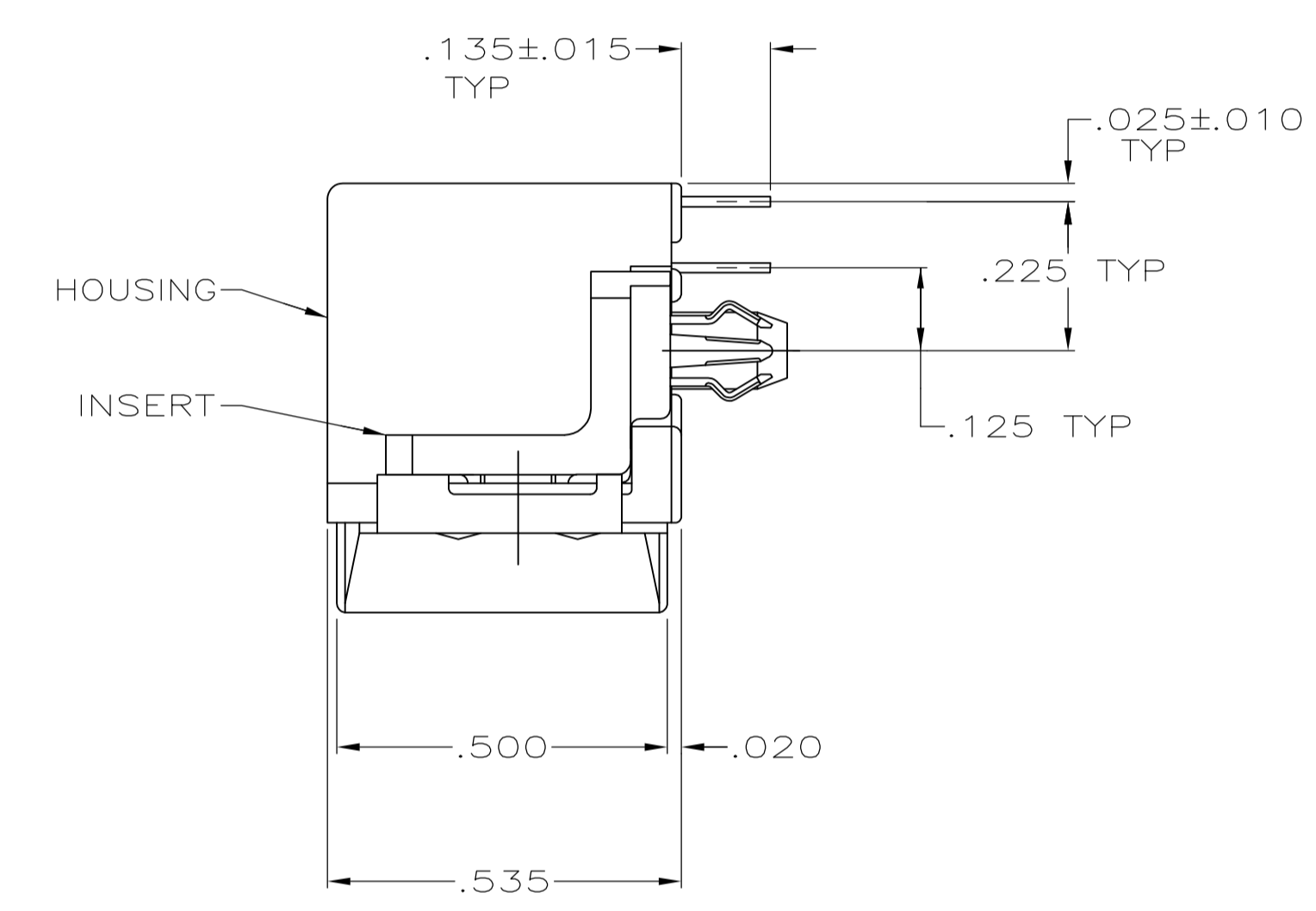
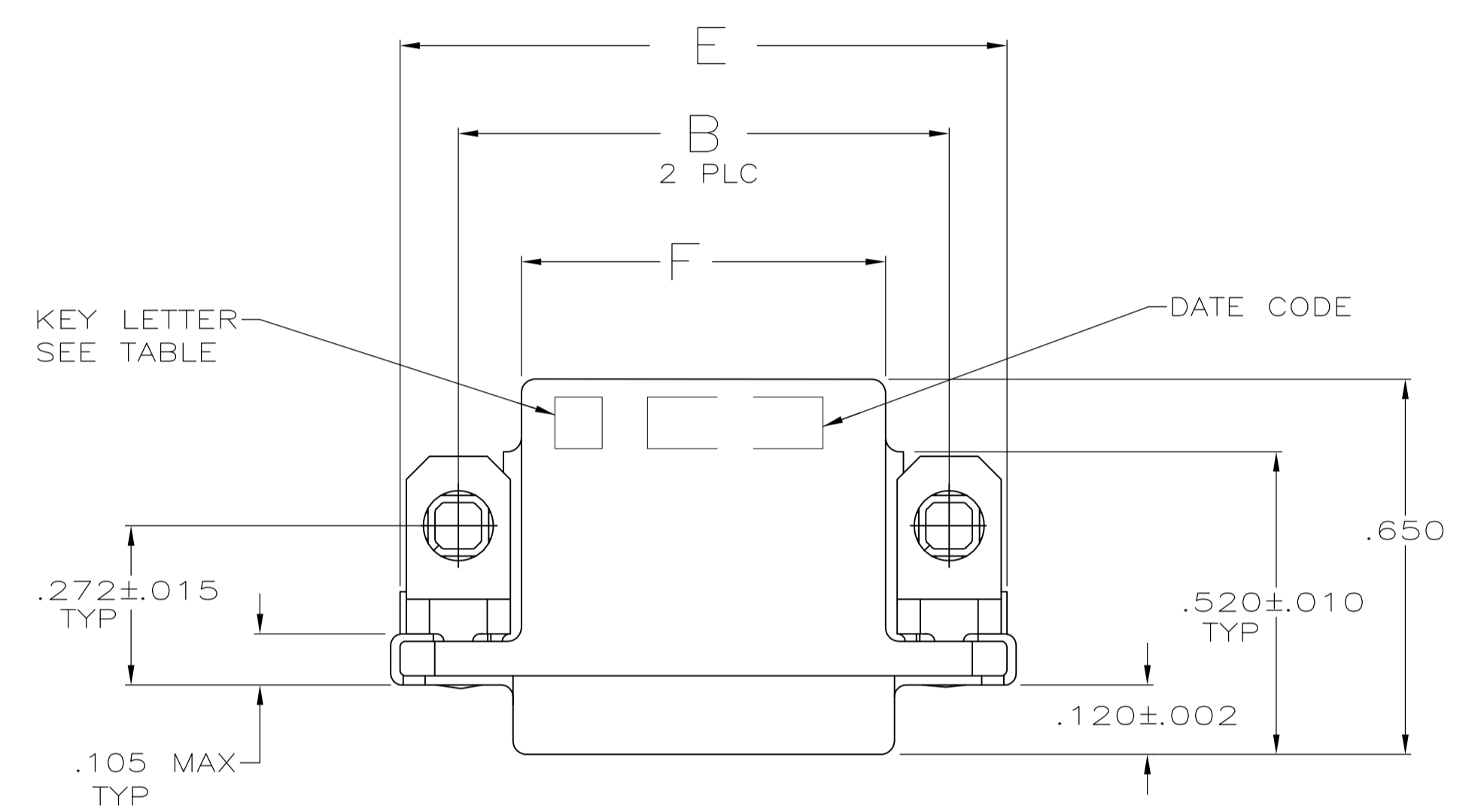


- 1 HOUSING: POLYESTER, FLAME RETARDANT, UL 94V-0 RATED, GLASS FILLED, BLACK.
SHIELD: BRASS
INSERT: ZINC ALLOY
BOARDLOCKS: COPPER ALLOY.
- 2 SHIELD: .000030 MIN BRIGHT TIN OVER .000050 MIN NICKEL.
CONTACTS: .000150 MIN MATTE TIN ON SOLDER END, .000050 MIN GOLD ON MATING END FOR A LENGTH OF .100 MIN ON MATING SURFACE, ALL OVER .000050 MIN NICKEL ON ENTIRE CONTACT.
INSERTS: .000150 MIN NICKEL OVER .000100 MIN COPPER.
BOARDLOCKS: .000200 MIN TIN OVER .000050 MIN NICKEL.
- 3 GOLD PLATING PER MIL-G-45204, NICKEL PLATING PER QQ-N-290, TIN PLATING PER MIL-T-10727.
- 4 DIMENSION INDICATES CONTACT MATING ZONE.
- 5 PLATING MEASUREMENT POINT.



OBSOLETE	1.230	1.650	1.050	1.260	1.450	1.700	16	E	5-1761199-6
	.830	1.250	.650	.860	1.050	1.300	8	E	5-1761199-3
	.630	1.050	.450	.660	.850	1.100	4	E	5-1761199-1
	.630	1.050	.450	.660	.850	1.100	4	D	4-1761199-1
OBSOLETE	.630	1.050	.450	.660	.850	1.100	4	C	3-1761199-1
OBSOLETE	.630	1.050	.450	.660	.850	1.100	4	B	2-1761199-1
	1.230	1.650	1.050	1.260	1.450	1.700	16	A	1-1761199-6
	.830	1.250	.650	.860	1.050	1.300	8	A	1-1761199-3
	.730	1.150	.550	.760	.950	1.200	6	A	1-1761199-2
	.630	1.050	.450	.660	.850	1.100	4	A	1-1761199-1
	F	E	D	C	B	A	NO OF POSN	KEY LETTER	PART NO

THIS DRAWING IS A CONTROLLED DOCUMENT. DIMENSIONING AND TOLERANCING PER ASME Y14.5M-2009.

DIMENSIONS: INCHES	TOLERANCES UNLESS OTHERWISE SPECIFIED:	DIN B MCMASER 30APR04	STE TE Connectivity
0 PLC ± -	1 PLC ± -	CIR C ROHDE 30APR04	APPRO M WALMSLEY 30APR04
2 PLC ± -	3 PLC ± .005	NAME	RECEPTACLE ASSEMBLY, SIDE ENTRY, SDL
4 PLC ± -	ANGLES ± -	PRODUCT SPEC	108-2047
		APPLICATION SPEC	114-2081
MATERIAL	FINISH	SIZE	CAGE CODE
1	3	A1	00779
		DRAWING NO	1761199
		WEIGHT	
		CUSTOMER DRAWING	SCALE 4:1

X-ON Electronics

Largest Supplier of Electrical and Electronic Components

Click to view similar products for [Modular Connectors / Ethernet Connectors](#) category:

Click to view products by [TE Connectivity](#) manufacturer:

Other Similar products are found below :

[8949-H88/06BLKA/SN](#) [74441-0010/BKN](#) [MP1010RX-1000](#) [MP44RX-1000](#) [PHJ-4P4C-1-V-4](#) [PHP-6P6C-5](#) [GAX-3-66](#) [GAX-8-62](#) [GDCX-PA-66-50](#) [GDCX-PN-64](#) [GDCX-PN-66](#) [GDCX-PN-66-50](#) [GDLX-A-66](#) [GDLX-N-66](#) [GDLX-S-66](#) [GDLX-S-88K](#) [GDTX-S-88-50](#) [GDX-PA-1010](#) [GLX-N-1010M-BLK](#) [GLX-S-88M-BLK](#) [GMX-N-1010](#) [GMX-S-1010](#) [GMX-S-66](#) [GMX-SMT4-N-88](#) [GPX-2-64](#) [GSGX-N-2-88](#) [GSGX-N-4-88](#) [GSX-NS2-88-3.05](#) [GSX-NS2-88-3.05-50](#) [GSX-NS-88-3.05-50](#) [PT-108A-8C-UL](#) [PT-J951-8C](#) [PTS-J531-8CS-50UL](#) [1-1775629-2](#) [A-2014-0-4](#) [GWLX-S-88-GR](#) [GWLX-S9-88-YG](#) [DC-1021-8-WH-6](#) [1300530003](#) [1324640-4](#) [RJ11FTVC2G](#) [RJ11FTVC2N](#) [RJFTVX2SA1G](#) [132764-001](#) [1413235](#) [MP88X-1000](#) [MPS88RX-5000](#) [E5288-S000K3-L](#) [E5908-15A242-L](#) [155302-001](#)