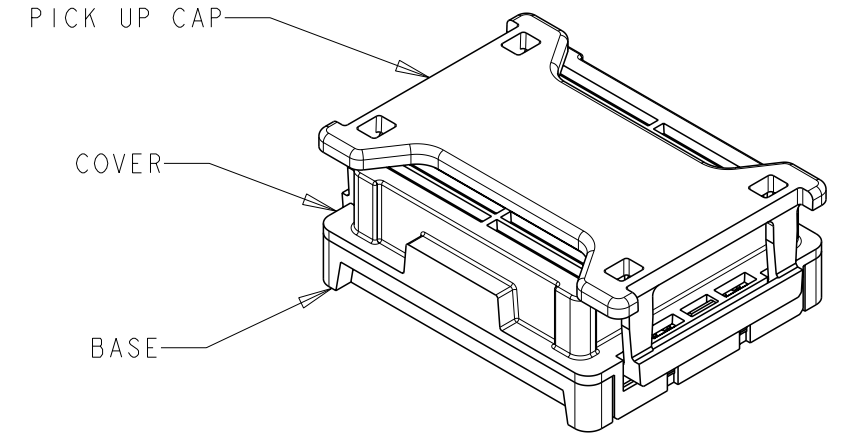
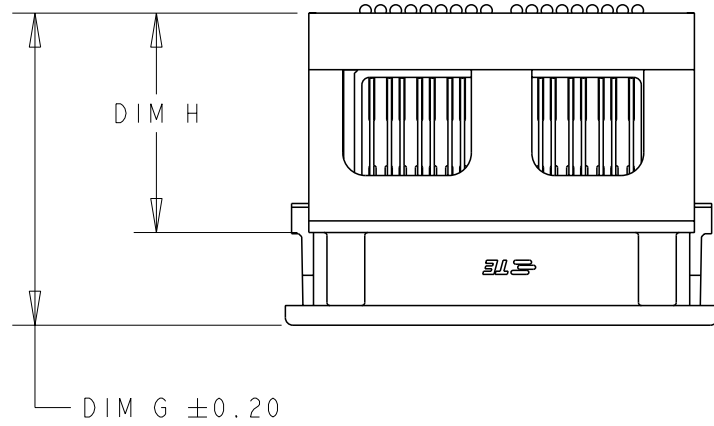
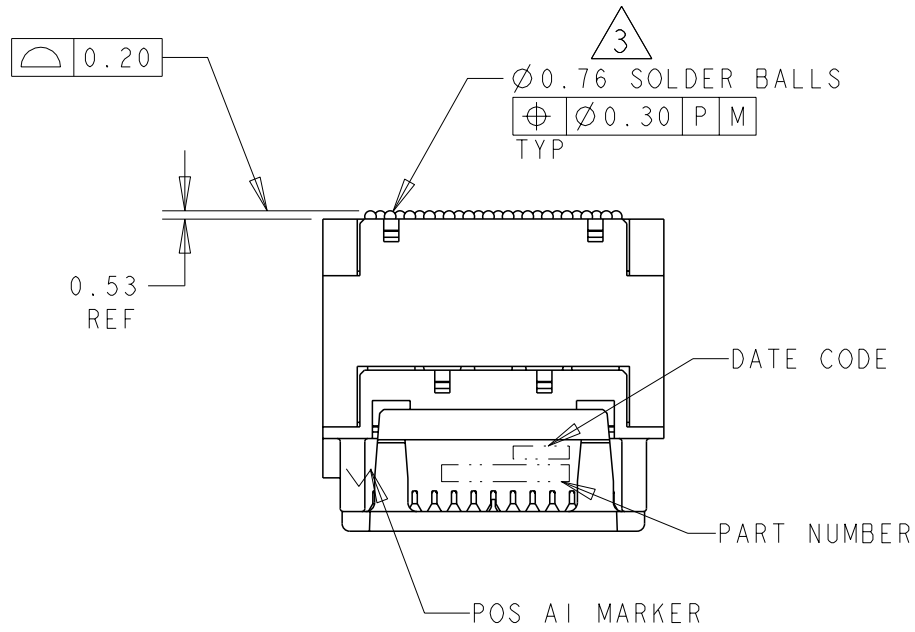
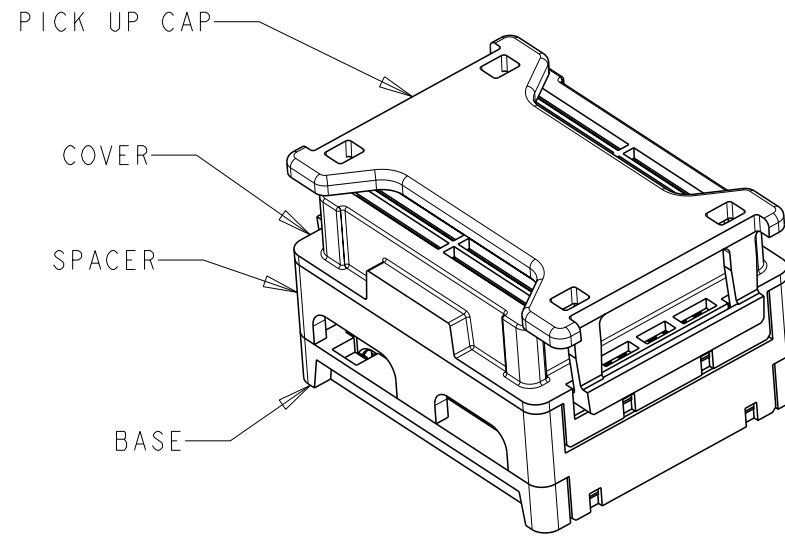
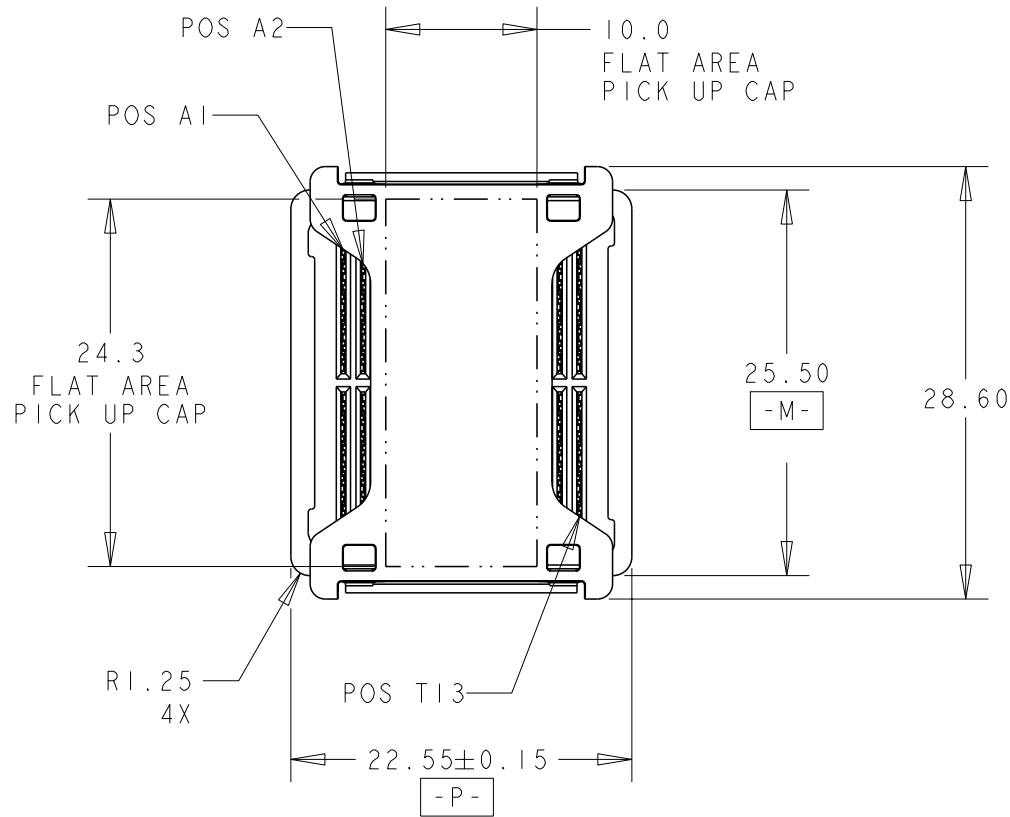


| P | LTR | DESCRIPTION | DATE | DWN | APVD |
|---|-----|---------------------------|-----------|-----|------|
| | A5 | REVISED PER ECO-20-017117 | 27APR2021 | AP | RW |
| | | | | | |
| | | | | | |

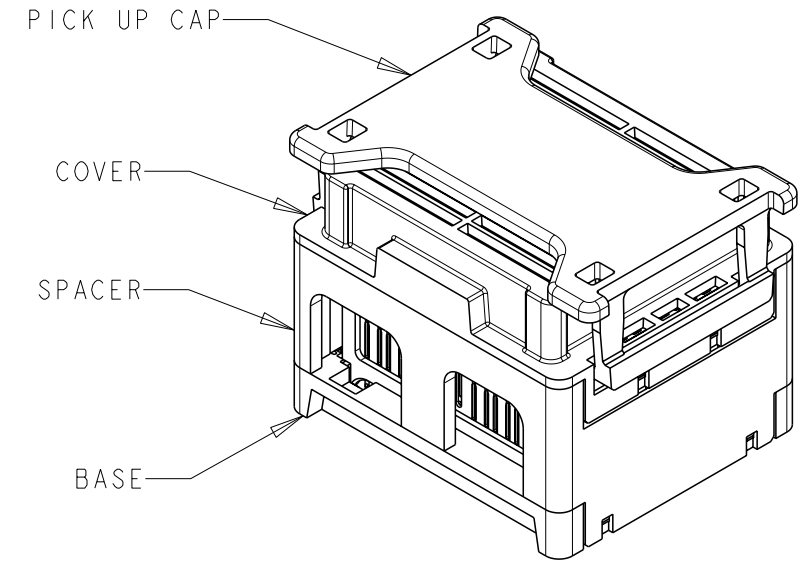


ISOMETRIC VIEW
TYPICAL CONFIGURATION
FOR 5mm ASSEMBLY
SCALE 2:1

TYPICAL ASSEMBLY
15mm SHOWN
SCALE 2:1



ISOMETRIC VIEW
TYPICAL CONFIGURATION
FOR 11mm ASSEMBLY
SCALE 2:1



ISOMETRIC VIEW
TYPICAL CONFIGURATION
FOR 15mm ASSEMBLY
SCALE 2:1


| | | | | |
|---|--|-------------------------------|---|-------------------------|
| THIS DRAWING IS A CONTROLLED DOCUMENT. | | DWN P BRANDBERG 19JAN05 | TE Connectivity | |
| | | CHK D WERTZ 20JAN05 | | |
| | | APVD D WERTZ 20JAN05 | NAME STEP-Z, RECEPTACLE ASSEMBLY, 104 SIGNAL POSITION | |
| DIMENSIONS: mm | | PRODUCT SPEC 108-2143 | SIZE A3 | |
| TOLERANCES UNLESS OTHERWISE SPECIFIED: 0 PLC ±- 1 PLC ±0.3 2 PLC ±0.10 3 PLC ±0.050 4 PLC ±- ANGLES ±2° | | APPLICATION SPEC 114-13101 | CAGE CODE 300779 | DRAWING NO C-1761613 |
| MATERIAL 1 | | FINISH 2 | RESTRICTED TO | |
| | | CUSTOMER DRAWING | SCALE 5:2 | SHEET 1 OF 3 |
| | | | REV A5 | |

REVISIONS

| P | LTR | DESCRIPTION | DATE | DWN | APVD |
|---|-----|-------------|------|-----|------|
| | - | SEE SHEET 1 | - | - | - |
| | | | | | |
| | | | | | |

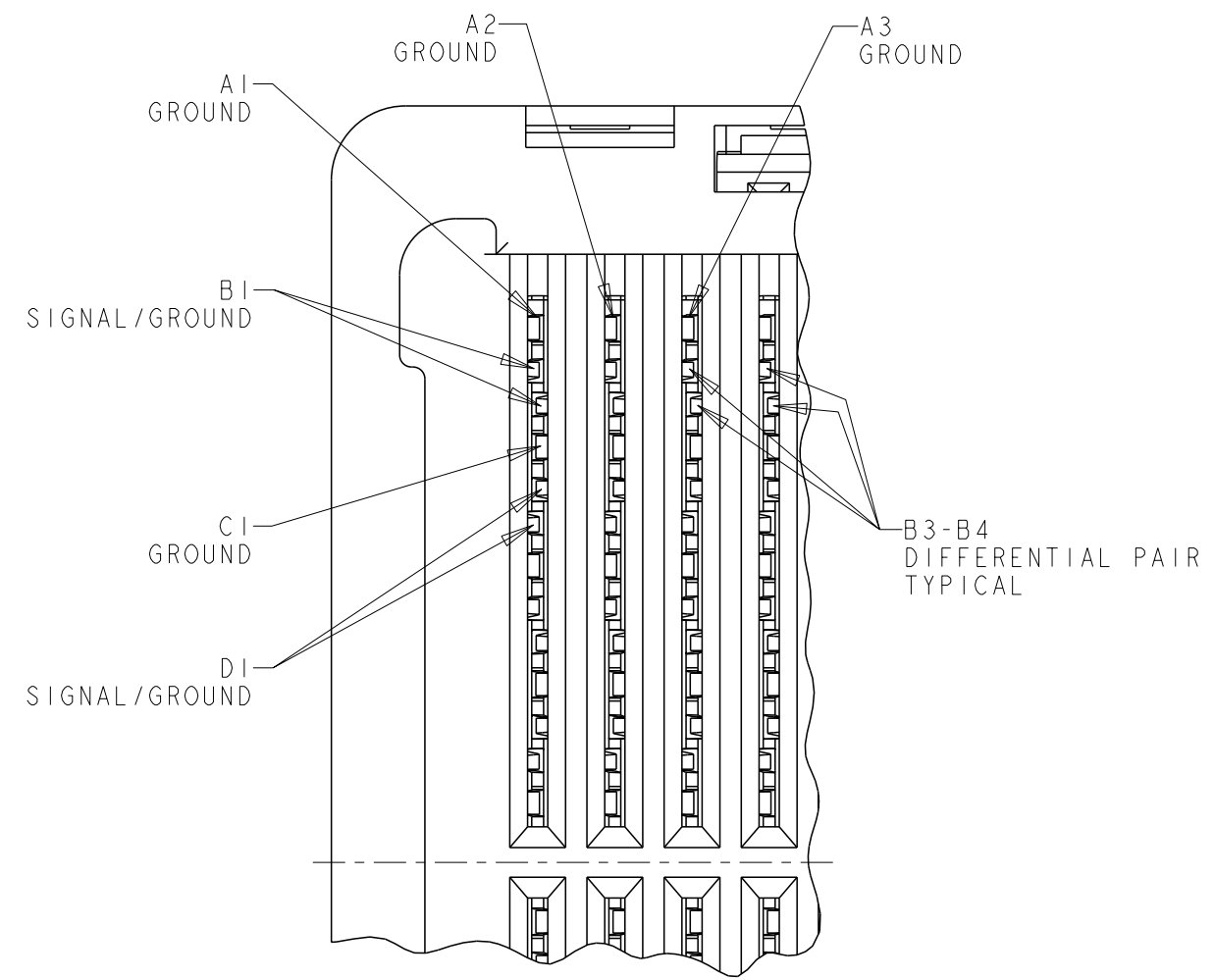
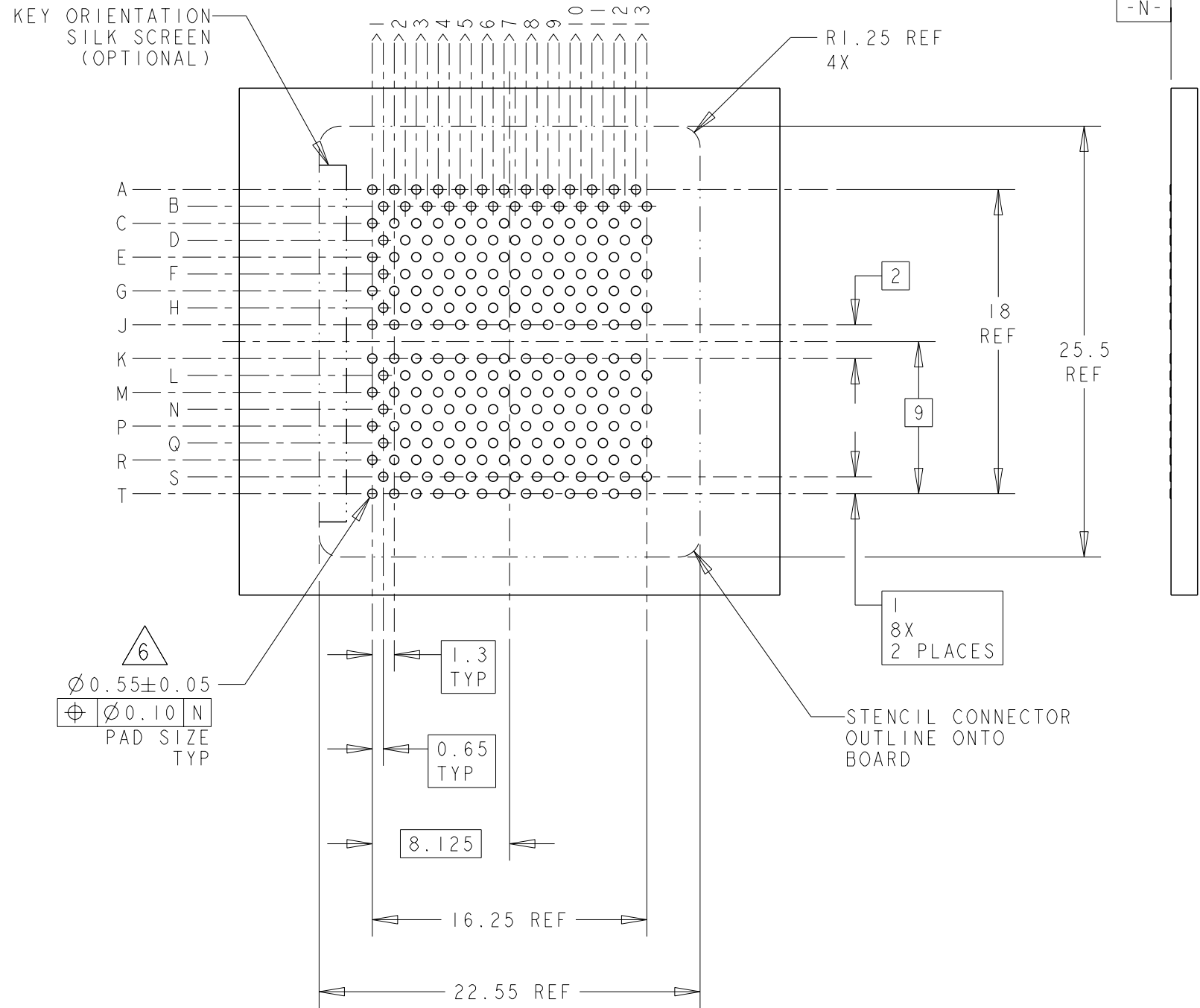
- 1 MATERIAL:
BASE, SPACER, COVER: THERMOPLASTIC
PICK UP CAP: THERMOPLASTIC
CONTACT: COPPER ALLOY
SOLDER BALL: Sn/Pb FOR P/N 1761615-1 THRU 5-1761615-0
Sn/Ag FOR P/N 5-1761615-1 THRU 9-1761615-9
- 2 FINISH:
CONTACT: 0.00076 MIN GOLD OVER 0.00127 MIN NICKEL.
(30µ" MIN GOLD OVER 50µ" MIN NICKEL)
- 3 SOLDER BALLS WILL NOT BE PERFECT
SPHERICAL SHAPE DUE TO REFLOW ATTACHMENT.
- 4 CONTACTS IN ROWS A,C,E,G,J,K,M,P,R, AND T
ARE SINGLE BEAM CONTACTS,
TYPICALLY USED AS GROUND PINS.
(NOTE: CONTACTS IN ROWS J & K ARE TIED
TOGETHER [COMMONED]).
- 5 CONTACTS IN ROWS B,D,F,H,L,N,Q, AND S
ARE DUAL BEAM CONTACTS,
TYPICALLY USED AS SIGNAL PINS.
- 6 SPECIFIED POSITIONAL TOLERANCE DEFINES PAD TO PAD
LOCATION WITHIN LAND PATTERN. POSITIONAL TOLERANCE
OF LAND PATTERN TO FUDICIAL MARKS OR PCB DATUMS
SHALL BE DEFINED BY CUSTOMER. FOR RECOMMENDED
PRODUCT APPLICATION AND PCB DESIGN DETAILS, SEE
APPLICATION SPEC 114-13101.

| | DIM H | DIM G | LOAD STYLE | DESCRIPTION | PART NUMBER |
|----------|-------|-------|------------|-------------|------------------------|
| | 14.51 | 20.65 | - | 15mm Sn/Ag | 6-1761613-5 |
| | 10.51 | 16.65 | - | 11mm Sn/Ag | 6-1761613-1 |
| | 4.51 | 10.65 | - | 5mm Sn/Ag | 5-1761613-5 |
| | | | | | |
| OBSOLETE | 14.51 | 20.65 | - | 15mm Sn/Pb | 1-1761613-5 |
| | 10.51 | 16.65 | - | 11mm Sn/Pb | 1-1761613-1 |
| | 4.51 | 10.65 | - | 5mm Sn/Pb | 1-1761613-5 |

| | | | | | |
|---|--|--------------------------------|--|--------------------|-----------------------|
| THIS DRAWING IS A CONTROLLED DOCUMENT. | | DWN P BRANDBERG 19 JAN05 |  TE Connectivity | | |
| DIMENSIONS: mm | | CHK D WERTZ 20 JAN05 | | | |
| TOLERANCES UNLESS OTHERWISE SPECIFIED: | | APVD D WERTZ 20 JAN05 | NAME STEP-Z, RECEPTACLE ASSEMBLY, 104 SIGNAL POSITION | | |
| 0 PLC ±- 1 PLC ±0.3 2 PLC ±0.10 3 PLC ±0.050 4 PLC ±- ANGLES ±2° | | PRODUCT SPEC 108-2143 | RESTRICTED TO | | |
| MATERIAL | | APPLICATION SPEC 114-13101 | SIZE A3 | CAGE CODE 00779 | DRAWING NO 1761613 |
| FINISH | | WEIGHT - | SCALE 1:1 SHEET 2 OF 3 REV A5 | | |
| | | CUSTOMER DRAWING | | | |

printed on 27 Apr 2021 20:50 from FRO19828

| P | LTR | DESCRIPTION | DATE | DWN | APVD |
|---|-----|-------------|------|-----|------|
| - | - | SEE SHEET 1 | - | - | - |
| | | | | | |
| | | | | | |



RECEPTACLE INTERFACE
SCALE 8:1

BOARD PATTERN
SCALE 3:1

| | | | | |
|---|--|---------------------------------|---|-------------------------|
| THIS DRAWING IS A CONTROLLED DOCUMENT. | | DWN P BRANDBERG 19 JAN 05 | TE Connectivity | |
| DIMENSIONS: mm | | CHK D WERTZ 20 JAN 05 | | |
| TOLERANCES UNLESS OTHERWISE SPECIFIED: | | APVD D WERTZ 20 JAN 05 | NAME STEP-Z, RECEPTACLE ASSEMBLY, 104 SIGNAL POSITION | |
| 0 PLC ±- 1 PLC ±0.3 2 PLC ±0.10 3 PLC ±0.050 4 PLC ±- ANGLES ±2° | | PRODUCT SPEC 108-2143 | SIZE A3 | |
| MATERIAL | | APPLICATION SPEC 114-13101 | CAGE CODE 300779 | DRAWING NO C-1761613 |
| FINISH | | WEIGHT - | RESTRICTED TO | |
| | | CUSTOMER DRAWING | SCALE 1:1 | SHEET 3 OF 3 |
| | | | REV A5 | |

Printed on 27 Apr 2021 20:50 from FRO19828

X-ON Electronics

Largest Supplier of Electrical and Electronic Components

Click to view similar products for [Board to Board & Mezzanine Connectors](#) category:

Click to view products by [TE Connectivity](#) manufacturer:

Other Similar products are found below :

[589158040000018](#) [MDF7C-18P-2.54DSA\(55\)](#) [FCN-230C068-11](#) [FCN-268F012-G/BD](#) [FCN-268F036-G/BD](#) [FCN-268M012-G/0D](#) [FCN-268M024-G/1D](#) [FCN-723J004/1](#) [MIS-048-01-F-D-DP-K](#) [832-10-034-10-001000](#) [FX4C-80S-1.27DSA](#) [FCN-214Q030-G/0](#) [FCN-234P048-G/0](#) [FCN-235D050-G/C](#) [210-93-314-41-105000](#) [2-22603-0](#) [MDF7-40DP-2.54DSA\(55\)](#) [AXG720047](#) [5031084030](#) [MIT-114-03-F-D-K](#) [55323-1519](#) [DF33-2P-3.3DSA\(24\)](#) [YFT-20-05-H-03-SB-K](#) [503308-3040](#) [026-6203-PDB](#) [027-6203-PDB](#) [069159702701000](#) [10123981-102LF](#) [101A10019X](#) [55650-0588-C](#) [68682-310LF](#) [68684-306](#) [75140-7012](#) [87471-650](#) [194261-1](#) [FCN-268F024-G0D](#) [10124054-515LF](#) [68685-603](#) [8-1616154-3](#) [MIS-019-01-F-D](#) [541371078](#) [IL-WX-10PB-HF-B-E1000E](#) [FCN-268M024-G/3D](#) [20021832-06016C1LF](#) [KX15-20KLDL-E1000E](#) [MDF7-16DP-2.54DSA\(55\)](#) [AXE810124](#) [FCN-214J100-G/0](#) [FCN-230C068-E/S](#) [AXE812124](#)