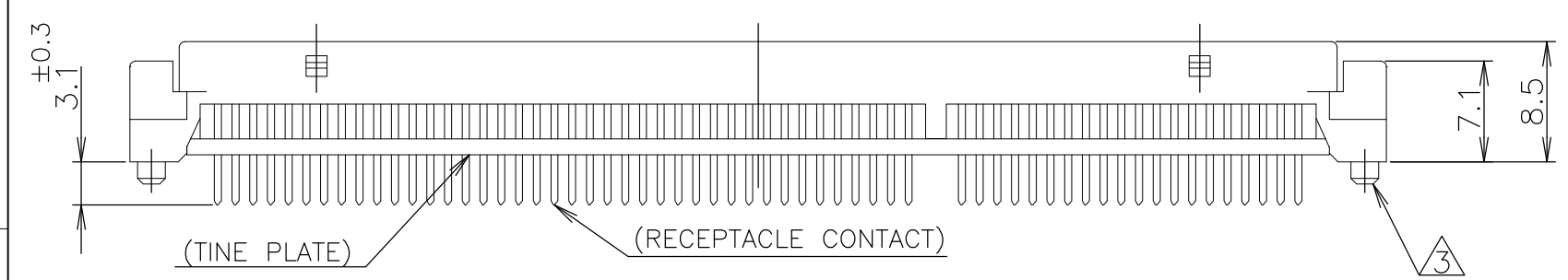
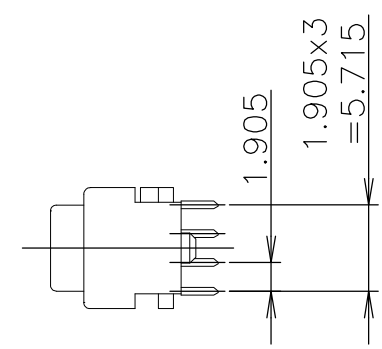
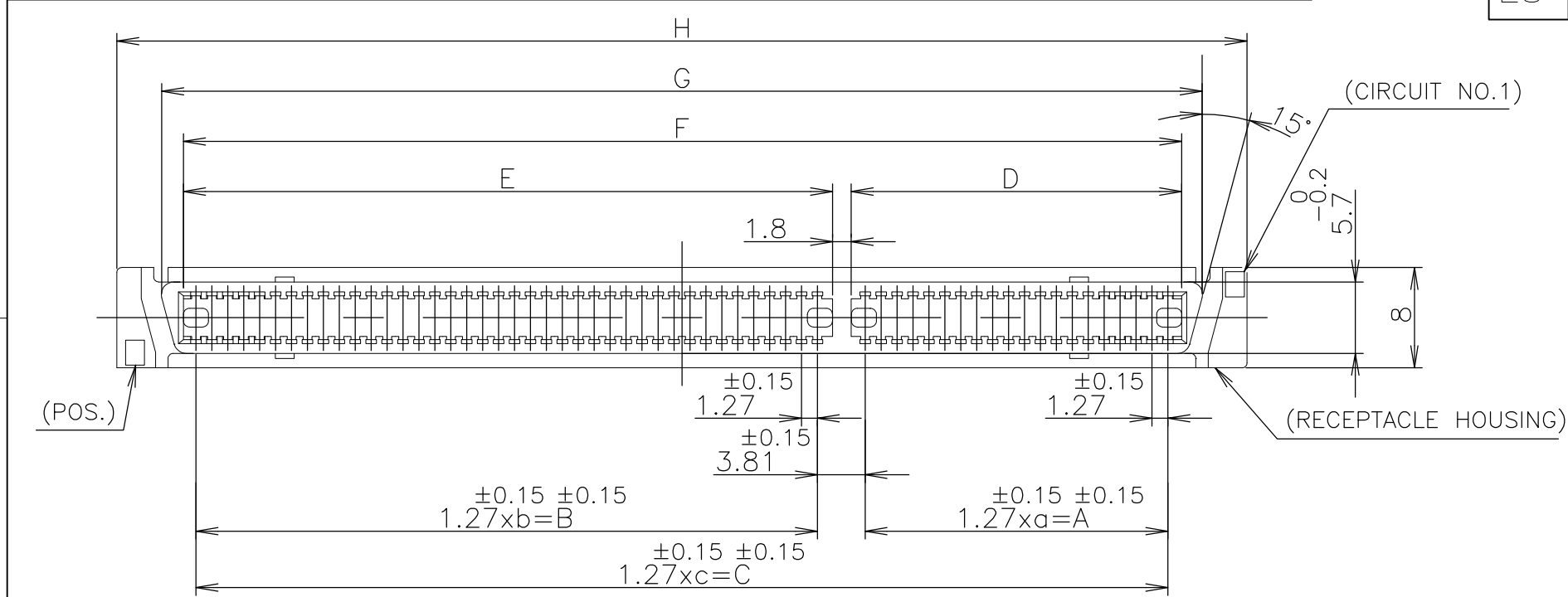
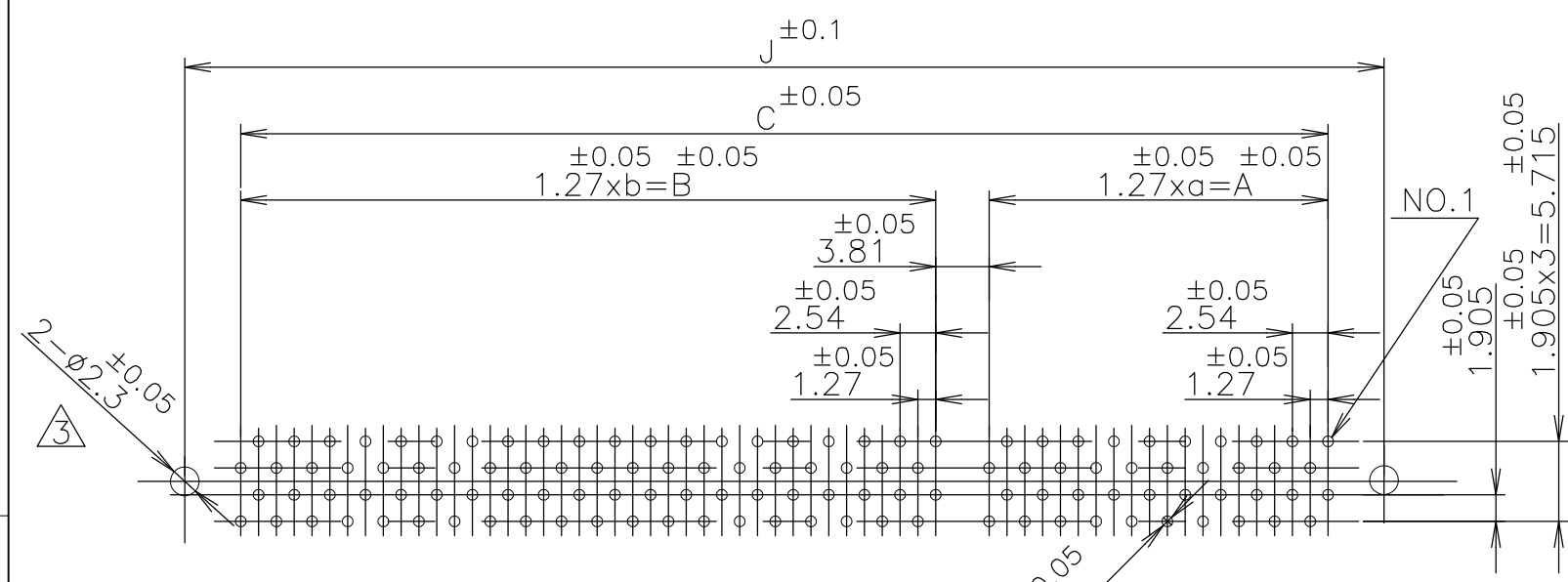


THIS DRAWING IS UNPUBLISHED. RELEASED FOR PUBLICATION AUG, 1989.
 © COPYRIGHT 1989 By - ALL RIGHTS RESERVED.

LOC	DIST	REVISIONS					
ES	00	P	LTR	DESCRIPTION	DATE	DWN	APVD
		A		REVISED ECR-12-013273	27MAR13	KR	E.T



- ① MATERIAL: HOUSING: GLASS FILLED 66NYLON (UL94V-0) BLACK
CONTACT: PHOSPHOR-BRONZE
- ② FINISH: CONTACT: 0.0003 MIN. Au AT CONTACT AREA,
0.001 MIN. TIN AT TINE, OVER Ni
- ③ BOSS FOR POSITIONING: P/N -1, -2, -3, -4
- ④ OBSOLETE



49	62.23	64.23	67.32	74.85	72.2	0.00076	100	2	④	-4				
39	49.53	62.23	115.57	51.53	64.23	117.57	120.66	128.19	125.54	0.0003	180	④	-8	
29	36.83	39	49.53	90.17	38.83	51.53	92.17	95.26	102.79	100.14	0.0003	140		-6
19	24.13	39	49.53	77.47	26.13	51.53	79.47	82.56	90.09	87.44	0.0003	120		-5
49	62.23	64.23	67.32	74.85	72.2	0.0003	100							-4
39	49.53	51.53	54.62	62.15	59.5	0.0003	80							-3
29	36.83	38.83	41.92	49.45	46.8	0.0003	60							-2
19	24.13	26.13	29.22	36.75	34.1	0.0003	40							-1
a	A	b	B	c	C	D	E	F	G	H	J	THK OF GOLD	POS.	P/N

THIS DRAWING IS A CONTROLLED DOCUMENT.

DWN Roy Hao 31Aug04
 CHK STEVEN YAO 31Aug04
 APVD I.ENOMOTO 31Aug04

NAME: AMP FH CONNECTOR RECEPTACLE (VERTICAL)
 11mm STACKING

SIZE: A3 CAGE CODE: 00779 DRAWING NO: 5176371

SCALE: 2:1 SHEET: 1 OF 1 REV: A

CUSTOMER DRAWING

X-ON Electronics

Largest Supplier of Electrical and Electronic Components

Click to view similar products for [Board to Board & Mezzanine Connectors](#) category:

Click to view products by [TE Connectivity](#) manufacturer:

Other Similar products are found below :

[10135583-642402LF](#) [89885-310LF](#) [589158040000018](#) [6-1393048-0](#) [68683-613](#) [MDF7-12DP-2.54DSA](#) [MDF7-18P-2.54DSA\(01\)](#) [MDF7-20DP-2.54DSA](#) [MDF7-26D-2.54DSA\(55\)](#) [MDF7-3P-2.54DSA\(01\)](#) [MDF7B-3P-2.54DSA\(55\)](#) [MDF7C-11P-2.54DSA\(55\)](#) [MDF7C-18P-2.54DSA\(55\)](#) [MDF7C-5P-2.54DSA\(01\)](#) [MDF7P-5P-2.54DSA\(55\)](#) [75234-0516](#) [FCN-230C068-11](#) [FCN-268F012-G/BD](#) [FCN-268F036-G/BD](#) [FCN-268M012-G/0D](#) [FCN-268M024-G/1D](#) [FCN-360C008-C](#) [FCN-360C040-C](#) [FCN-723J004/1](#) [MIS-048-01-F-D-DP-K](#) [832-10-034-10-001000](#) [93696-325LF](#) [11828-1FA](#) [AXK630345P](#) [18097-0013](#) [ICA-328STT](#) [2007042-2](#) [304400-2](#) [FCN-214Q030-G/0](#) [FCN-215Q040-G/0](#) [FCN-230C068-ESA](#) [FCN-234P048-G/0](#) [FCN-235D050-G/C](#) [FCN-360A3](#) [FCN-360C040-B](#) [210-93-314-41-105000](#) [2-22603-0](#) [379-064-521-202](#) [MDF7-12P-2.54DSA\(01\)](#) [MDF7-16P-2.54DS\(56\)](#) [MDF7-40DP-2.54DSA\(55\)](#) [MDF7-8P-2.54DSA\(55\)](#) [MDF7B-16P-2.54DSA\(55\)](#) [AXG720047](#) [5031084030](#)