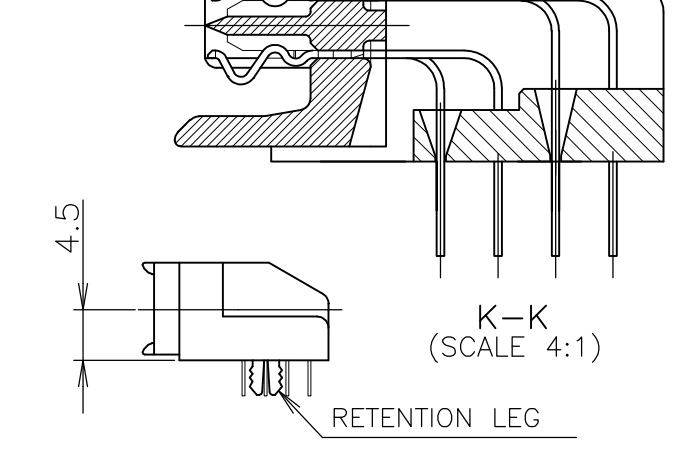
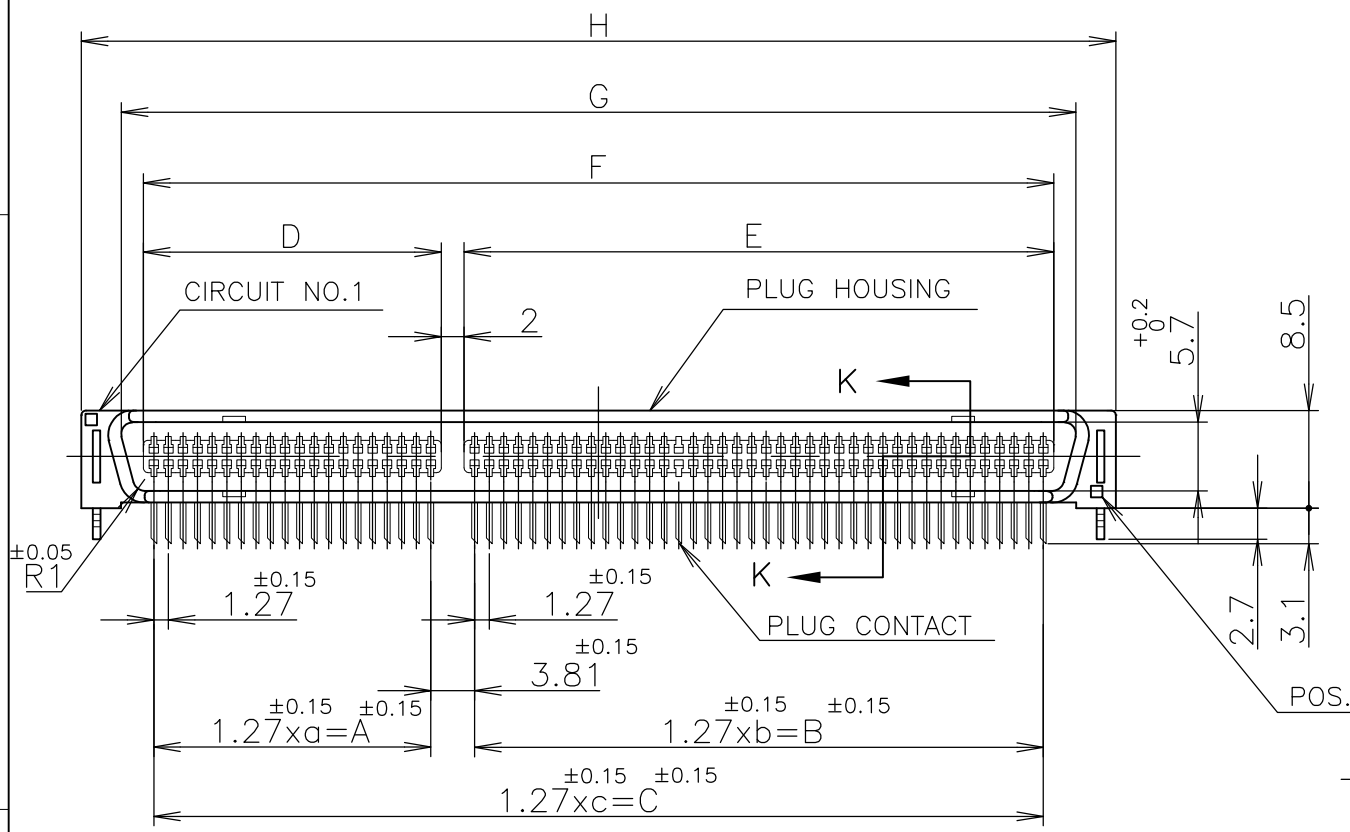


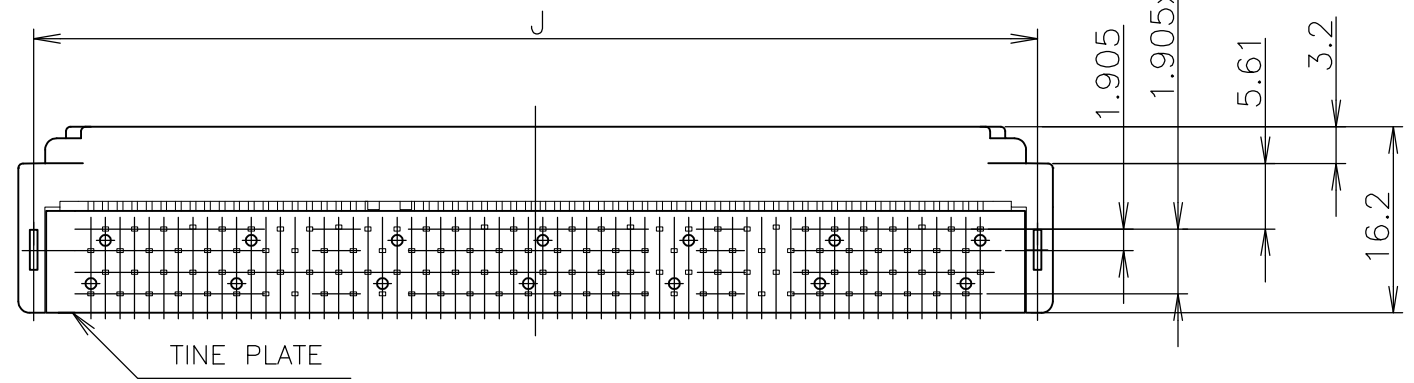
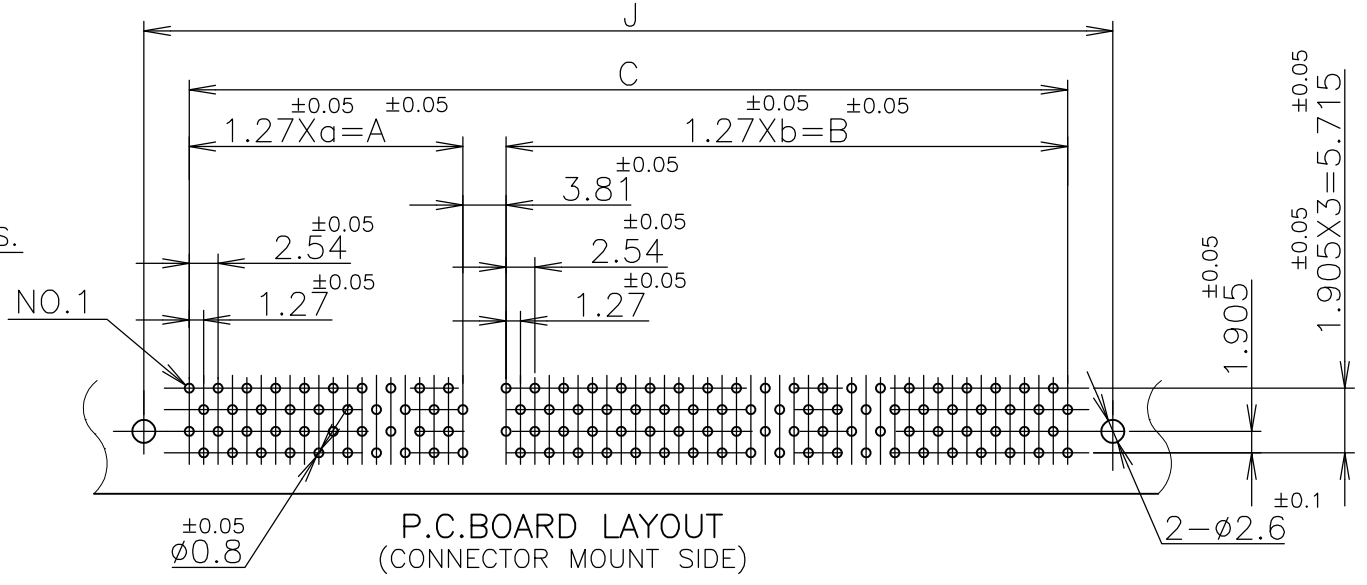
THIS DRAWING IS UNPUBLISHED. RELEASED FOR PUBLICATION AUG, 1989.  
 © COPYRIGHT 1989 By - ALL RIGHTS RESERVED.

LOC	DIST	REVISIONS					
J	/	P	LTR	DESCRIPTION	DATE	DWN	APVD
		A1		REVISED ECR-12-013273	26MAR13	K.M	E.T

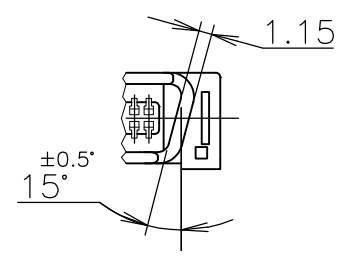


① MATERIAL: HOUSING, TINE PLATE  
 THERMOPLASTIC (UL 94V-0) BLACK.  
 CONTACT: COPPER ALLOY  
 RETENTION LEG: COPPER ALLOY

② FINISH: Au AT CONTACT AREA,  
 FOR 2- -1 0.76 um MIN  
 OTHERS 0.3 um MIN  
 TIN AT TINE, OVER Ni  
 RETENTION LEG: TIN, OVER Ni



①	OBSOLETE	40	/	/	/	/	19	24.13	/	/	25.93	29.37	36.75	34.1	2=5176381-1
		180	39	49.53	49	62.23	/	115.57	51.33	64.03	117.37	120.81	128.19	125.54	-8
		160	29	36.83	49	62.23	/	102.87	38.63	64.03	104.67	108.11	115.49	112.84	-7
		140	29	36.83	39	49.53	/	90.17	38.63	51.33	91.97	95.41	102.79	100.14	-6
		120	19	24.13	39	49.53	/	77.47	25.93	51.33	79.27	82.71	90.09	87.44	-5
		100	/	/	/	/	49	62.23	/	/	64.03	67.47	74.85	72.2	-4
		80	/	/	/	/	39	49.53	/	/	51.33	54.77	62.15	59.5	-3
		60	/	/	/	/	29	36.83	/	/	38.63	42.07	49.45	46.8	-2
		40	/	/	/	/	19	24.13	/	/	25.93	29.37	36.75	34.1	5176381-1
		POS	a	A	b	B	c	C	D	E	F	G	H	J	P/N



GENERAL TOLERANCE  
 一般公差

10 ≥ : ±0.2  
 30 ≥ > 10: ±0.25  
 100 ≥ > 30: ±0.3  
 ANGLES: ±3°

THIS DRAWING IS A CONTROLLED DOCUMENT.

DIMENSIONS: 单位: 耗 mm

TOLERANCES UNLESS OTHERWISE SPECIFIED: 一般公差

0 PLC ±  
 1 PLC ±  
 2 PLC ±  
 3 PLC ±  
 4 PLC ±  
 ANGLES ±

MATERIAL 材料

①

DWN T.KAWAMAE 09JUN04  
 CHK I. ENOMOTO 09JUN04  
 APVD I. ENOMOTO 09JUN04

PRODUCT SPEC 製品規格  
 108-60042

APPLICATION SPEC 取付適用規格

WEIGHT

**STE** TE Connectivity

AMP FH CONNECTOR PLUG WITH RETENTION-LEG (HORIZONTAL)

SIZE A3 CAGE CODE 00779 DRAWING NO. 番号 C-5176381 RESTRICTED TO

CUSTOMER DRAWING SCALE 尺度 NTS SHEET 1 OF 1 REV A1

## X-ON Electronics

Largest Supplier of Electrical and Electronic Components

*Click to view similar products for [Board to Board & Mezzanine Connectors](#) category:*

*Click to view products by [TE Connectivity](#) manufacturer:*

Other Similar products are found below :

[10135583-642402LF](#) [89885-310LF](#) [589158040000018](#) [6-1393048-0](#) [68683-613](#) [MDF7-12DP-2.54DSA](#) [MDF7-18P-2.54DSA\(01\)](#) [MDF7-20DP-2.54DSA](#) [MDF7-26D-2.54DSA\(55\)](#) [MDF7-3P-2.54DSA\(01\)](#) [MDF7B-20P-2.54DSA\(01\)](#) [MDF7B-3P-2.54DSA\(55\)](#) [MDF7C-18P-2.54DSA\(55\)](#) [MDF7P-5P-2.54DSA\(55\)](#) [75234-0516](#) [FCN-230C068-11](#) [FCN-268F012-G/BD](#) [FCN-268F036-G/BD](#) [FCN-268M012-G/0D](#) [FCN-268M024-G/1D](#) [FCN-360C008-C](#) [FCN-723J004/1](#) [MIS-048-01-F-D-DP-K](#) [832-10-034-10-001000](#) [93696-325LF](#) [11828-1FA](#) [AXK630345P](#) [18097-0013](#) [2007042-2](#) [304400-2](#) [FCN-214Q030-G/0](#) [FCN-215Q040-G/0](#) [FCN-230C068-ESA](#) [FCN-234P048-G/0](#) [FCN-235D050-G/C](#) [FCN-360A3](#) [FCN-360C040-B](#) [210-93-314-41-105000](#) [2-22603-0](#) [379-064-521-202](#) [MDF7-12P-2.54DSA\(01\)](#) [MDF7-16P-2.54DS\(56\)](#) [MDF7-16P-2.54DSA\(55\)](#) [MDF7-40DP-2.54DSA\(55\)](#) [MDF7-8P-2.54DSA\(55\)](#) [AXG720047](#) [5031084030](#) [55323-1519](#) [DF33-2P-3.3DSA\(24\)](#) [DF33-2S-3.3C](#)