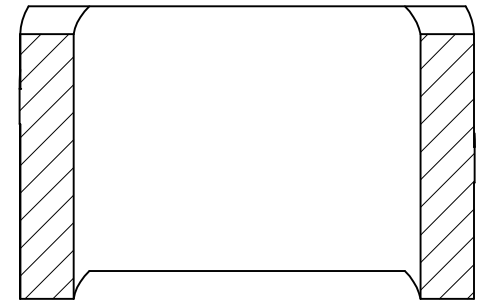
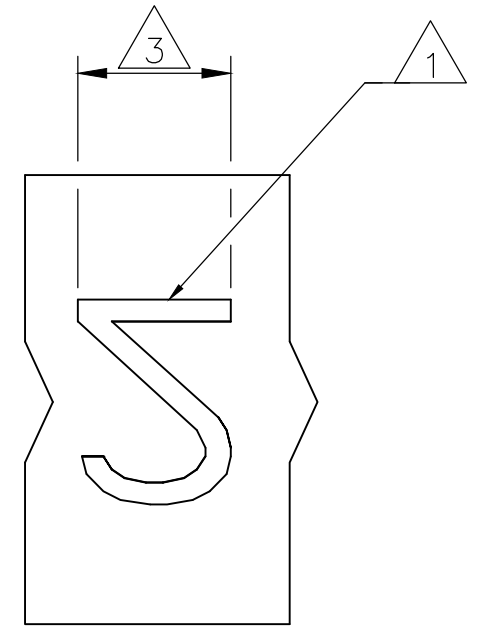
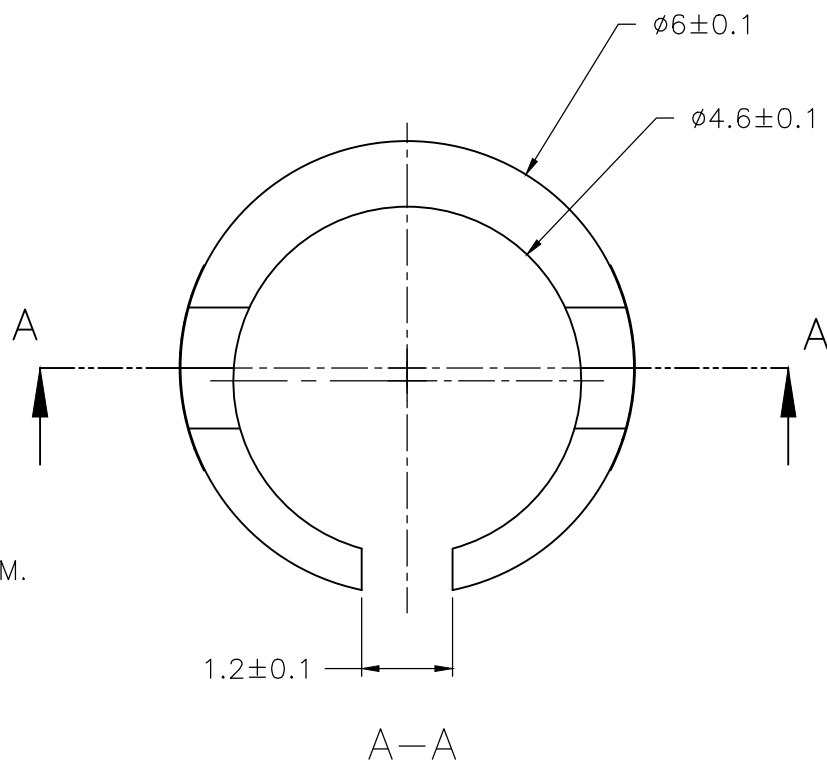
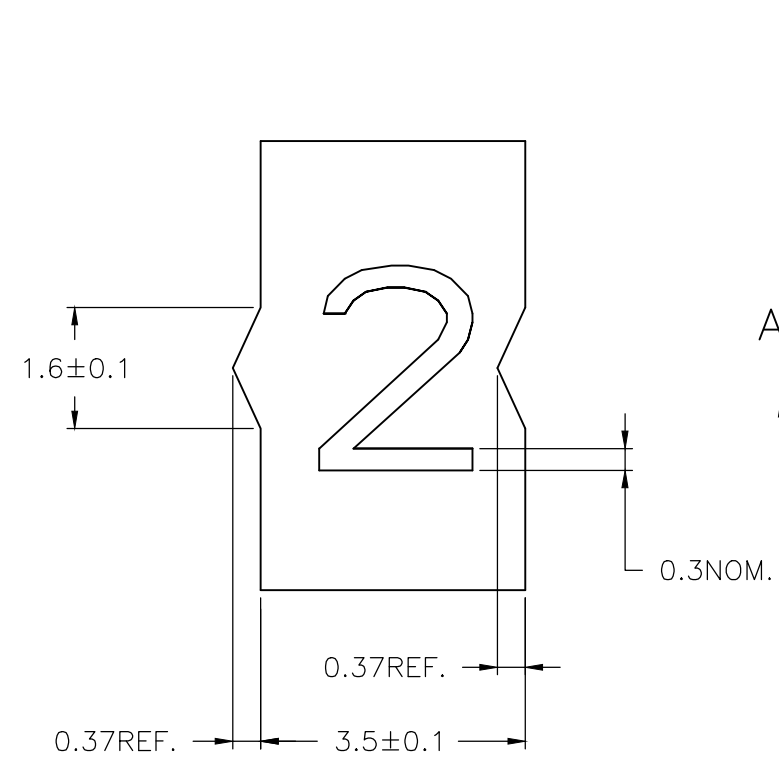


P	LTR	DESCRIPTION	DATE	DWN	APVD
3		REVISED PER ECR-20-010947	04AUG2020	GK	KA

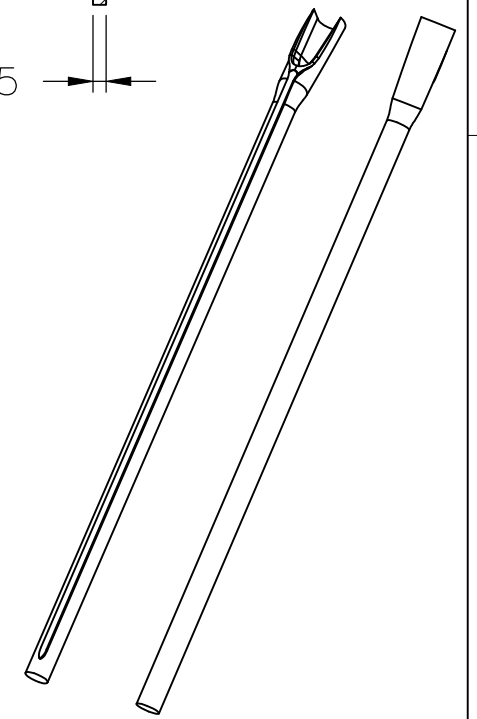
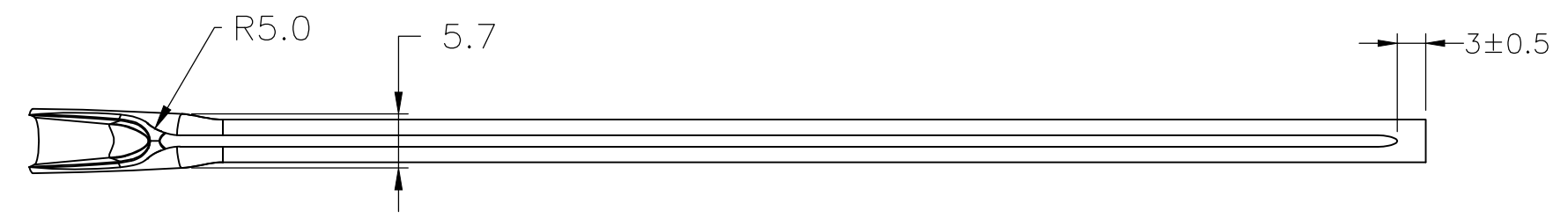
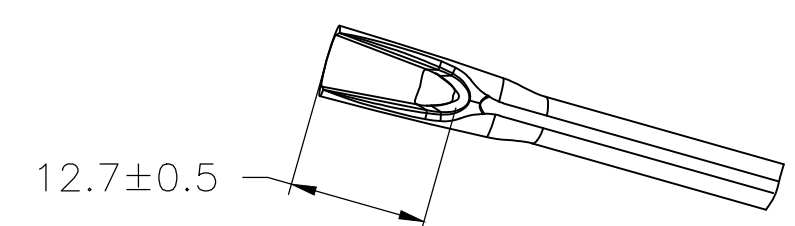
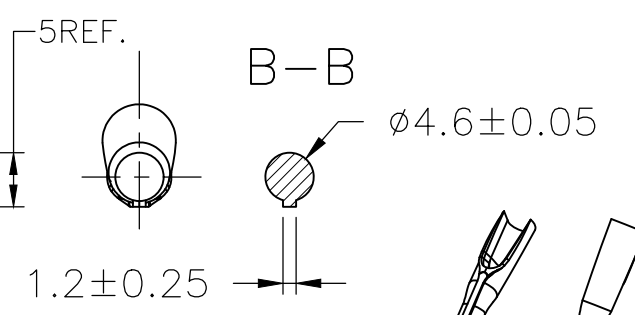
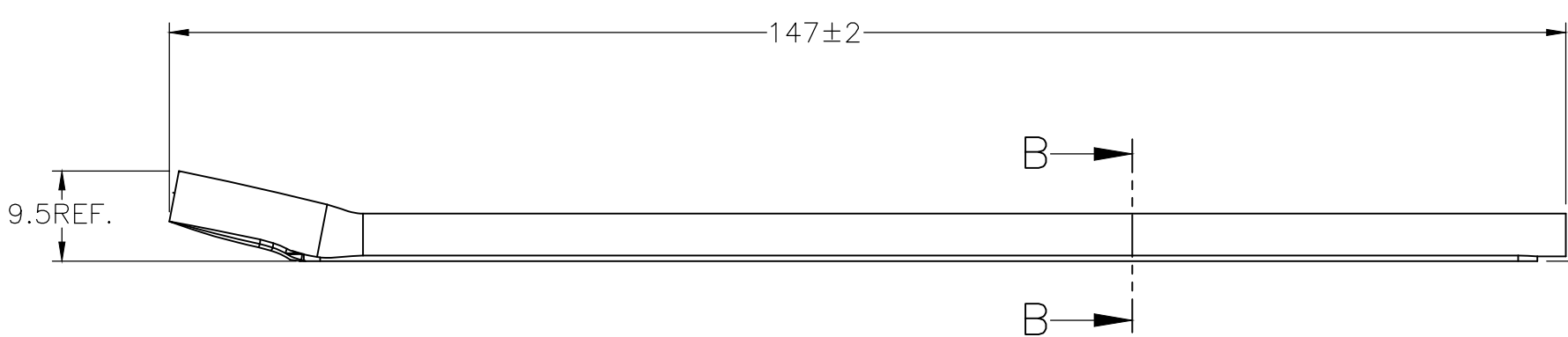
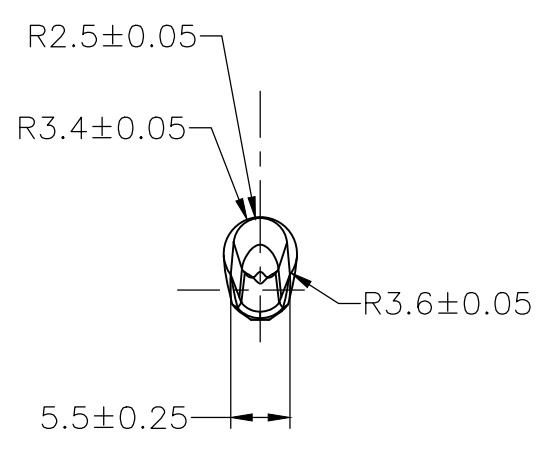
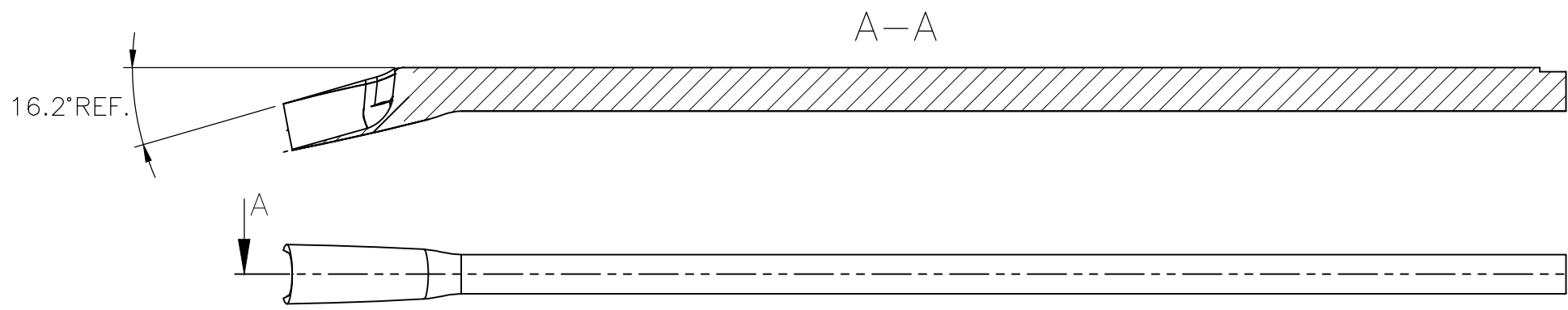


NOTE:

- △1 FOR PART NUMBERS SEE SHEET 3 OF 3.
- △2 MARK SHOULD BE CENTRALLY POSITIONED ± 0.1 mm.
- △3 WIDTH OF MARK DEPENDS ON CHARACTER PRINTED

THIS DRAWING IS A CONTROLLED DOCUMENT.		DWN RAGHAVENDRA K 25MAR2013	TE Connectivity														
DIMENSIONS: mm		CHK KEAN ALAN 25MAR2013															
TOLERANCES UNLESS OTHERWISE SPECIFIED:		APVD MARIO APPELLO 25MAR2013	NAME SNAP-ON MARKER STB/STD SIZE 12 WITH APPLICATOR														
<table border="0"> <tr> <td>0 PLC</td> <td>± -</td> </tr> <tr> <td>1 PLC</td> <td>± -</td> </tr> <tr> <td>2 PLC</td> <td>± -</td> </tr> <tr> <td>3 PLC</td> <td>± -</td> </tr> <tr> <td>4 PLC</td> <td>± -</td> </tr> <tr> <td>ANGLES</td> <td>± -</td> </tr> </table>		0 PLC	± -	1 PLC	± -	2 PLC	± -	3 PLC	± -	4 PLC	± -	ANGLES	± -	PRODUCT SPEC -	-		
0 PLC	± -																
1 PLC	± -																
2 PLC	± -																
3 PLC	± -																
4 PLC	± -																
ANGLES	± -																
MATERIAL -		FINISH -	APPLICATION SPEC -	SIZE A3	CAGE CODE C2290	DRAWING NO C-1768045-1	RESTRICTED TO -										
CUSTOMER DRAWING			WEIGHT -	SCALE NTS	SHEET 1 OF 3	REV 3											

P	LTR	DESCRIPTION	DATE	DWN	APVD
-	-	SEE SHEET 1	-	-	-



THIS DRAWING IS A CONTROLLED DOCUMENT.

DIMENSIONS:	TOLERANCES UNLESS OTHERWISE SPECIFIED:
mm	
	0 PLC ± -
	1 PLC ± -
	2 PLC ± -
	3 PLC ± -
	4 PLC ± -
	ANGLES ± -

MATERIAL: - FINISH: -

DWN	25MAR2013
RAGHAVENDRA K	
CHK	25MAR2013
KEAN ALAN	
APVD	25MAR2013
MARIO APPELLO	
PRODUCT SPEC	
APPLICATION SPEC	
WEIGHT	-



NAME				RESTRICTED TO	
SNAP-ON MARKER STB/STD SIZE 12 WITH APPLICATOR				-	
SIZE	CAGE CODE	DRAWING NO			
A3	C2290	C-1768045-1			
CUSTOMER DRAWING			SCALE	SHEET	REV
			NTS	2 OF 3	3

REVISIONS

P	LTR	DESCRIPTION	DATE	DWN	APVD
	-	SEE SHEET 1	-	-	-

DESCRIPTION	PART NO.
STB12-0-0	4-1768039-4
STB12-1-1	4-1768039-5
STB12-2-2	4-1768039-6
STB12-3-3	4-1768039-7
STB12-5-5	4-1768039-8
STB12-6-6	4-1768039-9
STB12-7-7	5-1768039-0
STB12-8-8	5-1768039-1
STB12-BLANK-0	5-1768039-2
STB12-BLANK-1	5-1768039-3
STB12-BLANK-2	5-1768039-4
STB12-BLANK-3	5-1768039-5
STB12-BLANK-5	5-1768039-6
STB12-BLANK-6	5-1768039-7
STB12-BLANK-7	5-1768039-8
STB12-BLANK-8	5-1768039-9
STD12W/1-12	7-1768403-0
STD12W-0	027608-000
STD12W-1	028690-000
STD12W-2	127922-000
STD12W-3	869998-000
STD12W-4	422284-000
STD12W-5	329976-000
STD12W-6	654200-000
STD12W-7	727782-000
STD12W-8	157886-000
STD12W-9	612832-000
STD12W-A	392758-000
STD12W-AC	8-1768044-0
STD12W-B	190370-000
STD12W-BLANK	8-1768044-2
STD12W-C	379242-000
STD12W-COLON	227492-000
STD12W-D	466552-000
STD12W-D-LC	8-1768044-4
STD12W-DOT	8-1768044-5
STD12W-E	952178-000

DESCRIPTION	PART NO.
STD12W-EARTH	8-1768044-6
STD12W-F	242654-000
STD12W-G	371912-000
STD12W-H	544882-000
STD12W-I	743644-000
STD12W-J	925236-000
STD12W-K	402858-000
STD12W-L	372210-000
STD12W-M	797170-000
STD12W-MINUS	9-1768044-3
STD12W-N	224378-000
STD12W-P	200490-000
STD12W-PLUS	9-1768044-6
STD12W-Q	881472-000
STD12W-R	610526-000
STD12W-S	958362-000
STD12W-SLASH	102828-000
STD12W-T	080248-000
STD12W-U	606344-000
STD12W-V	244058-000
STD12W-W	922324-000
STD12W-X	151660-000
STD12W-Y	976192-000
STD12W-Z	928688-000
STD12Y-0	9-1768044-8
STD12Y-1	9-1768044-9
STD12Y-2	1768045-1
STD12Y-3	1768045-2
STD12Y-4	1768045-3
STD12Y-5	1768045-4
STD12Y-6	1768045-5
STD12Y-7	1768045-6
STD12Y-8	1768045-7
STD12Y-9	1768045-8
STD12Y-A	1768045-9
STD12Y-AC	1-1768045-0
STD12W/1-48	8-1768710-0

DESCRIPTION	PART NO.
STD12Y-B	1-1768045-2
STD12Y-BLANK	1-1768045-3
STD12Y-C	1-1768045-5
STD12Y-COLON	1-1768045-6
STD12Y-D	1-1768045-7
STD12Y-DOT	1-1768045-9
STD12Y-E	2-1768045-0
STD12Y-EARTH	2-1768045-1
STD12Y-F	2-1768045-3
STD12Y-G	2-1768045-5
STD12Y-G-LC	2-1768045-6
STD12Y-H	2-1768045-7
STD12Y-I	2-1768045-9
STD12Y-J	3-1768045-0
STD12Y-K	3-1768045-1
STD12Y-L	3-1768045-3
STD12Y-M	3-1768045-5
STD12Y-MINUS	3-1768045-6
STD12Y-N	3-1768045-8
STD12Y-P	4-1768045-0
STD12Y-PLUS	4-1768045-1
STD12Y-Q	4-1768045-2
STD12Y-R	4-1768045-3
STD12Y-S	4-1768045-5
STD12Y-SLASH	4-1768045-6
STD12Y-T	4-1768045-7
STD12Y-U	4-1768045-8
STD12Y-V	4-1768045-9
STD12Y-W	5-1768045-0
STD12Y-X	5-1768045-1
STD12Y-Y	5-1768045-2
STD12Y-Z	5-1768045-3



OBSOLETE PART



THIS DRAWING IS A CONTROLLED DOCUMENT.		DWN 25MAR2013 RAGHAVENDRA K	TE Connectivity	
		CHK 25MAR2013 KEAN ALAN		
		APVD 25MAR2013 MARIO APPELLO	NAME SNAP-ON MARKER STB/STD SIZE 12 WITH APPLICATOR	
DIMENSIONS: mm		PRODUCT SPEC	-	
TOLERANCES UNLESS OTHERWISE SPECIFIED:		APPLICATION SPEC	-	
0 PLC ± -		SIZE	CAGE CODE	DRAWING NO
1 PLC ± -		WEIGHT	A3	C2290
2 PLC ± -		CUSTOMER DRAWING		RESTRICTED TO
3 PLC ± -		SCALE NTS		SHEET 3 OF 3
4 PLC ± -		REV 3		
ANGLES ± -		DRAWING NO		
FINISH		G-1768045-1		
MATERIAL		-		

X-ON Electronics

Largest Supplier of Electrical and Electronic Components

Click to view similar products for [Wire Labels & Markers](#) category:

Click to view products by [TE Connectivity](#) manufacturer:

Other Similar products are found below :

[89078GBEST](#) [89082GBESR](#) [89082GBEST](#) [PCL025-4](#) [5761-2SF](#) [58400](#) [586R734H02](#) [M1.040.0000.6](#) [CRS-CM5M](#) [CRS-M18M](#) [CS1836-000](#) [CS8626-000](#) [CU6337-000](#) [CU6342-000](#) [CU6343-000](#) [CWD01-0](#) [CWD012-0](#) [CWD012-7](#) [CWD015-3](#) [CWD015-7](#) [CWD02-0](#) [CWD02-3](#) [CWD02-4](#) [CWD02-6](#) [CWD02-8](#) [CWD02-A](#) [CWD02-D](#) [CWD02-H](#) [CWD02-K](#) [CWD02-L](#) [CWD02-M](#) [CWD02-P](#) [CWD02-Q](#) [CWD02-R](#) [CWD02-U](#) [CWD02-W](#) [CWD02-Y](#) [CWD03-+](#) [CWD03-0](#) [CWD03-P](#) [CWD06-0](#) [CWD06-8](#) [CWD06-9](#) [CWD06-L](#) [CWD06-N](#) [CWD09-0](#) [CWD09-5](#) [CWD09-7](#) [6806810001](#) [CZ2857-000](#)