

4

3

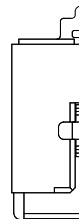
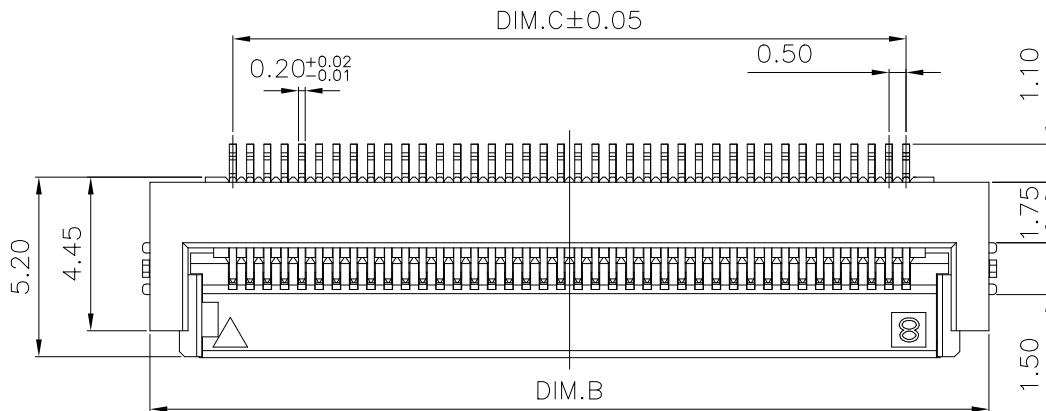
2

1

THIS DRAWING IS UNPUBLISHED. RELEASED FOR PUBLICATION

© COPYRIGHT BY TYCO ELECTRONICS CORPORATION. ALL RIGHTS RESERVED.

LOC	DIST	REVISIONS			
P	LTR	DESCRIPTION	DATE	DWN	APVD
DW	-	G	REVISED (ECR-18-000341), DELETE '0-' FROM PART NO.	16JAN18	H.X.W.H.



NOTES :

- MATERIAL :
  - HOUSING : THERMOPLASTIC (LCP), UL 94 V-0, COLOR:NATURAL
  - ACTUATOR : THERMOPLASTIC (LCP), UL 94 V-0, COLOR:NATURAL
  - CONTACTS : PHOSPHOR BRONZE
  - SOLDER PEG : BRASS

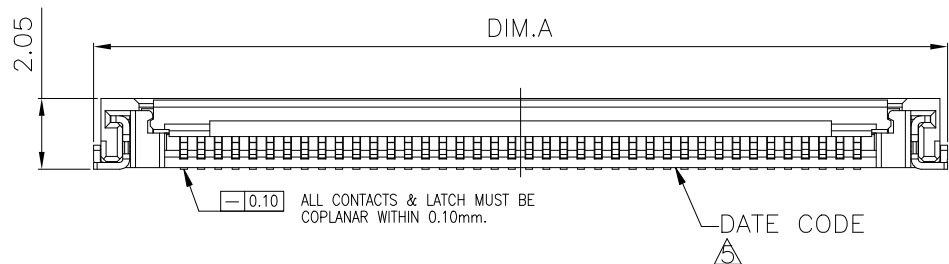
2. FINISH:

- CONTACT:
  - GOLD FLASH PLATING ON CONTACT & SOLDERING AREAS, 1.27μm [50μ"] MIN. NICKEL UNDERPLATING OVERALL.
- SOLDER PEG:
  - GOLD FLASH PLATING OVERALL
  - 1.27μm [50μ"] MIN. NICKEL UNDERPLATING OVERALL.

3. REFLOW SOLDER CAPABLE TO 260°C PER TE SPEC. 109-201, CONDITION B.

4. NET WEIGHT : 0.5gram FOR 45 POS.

△ DATE CODE PRINT ONLY FOR 30 POSITION(NOT INCLUDE) ABOVE ITEM.



THIS DRAWING IS A CONTROLLED DOCUMENT.		DWN H. HUANG 29SEP2007	<b>STE</b> TE Connectivity	
		CHK S. HOU 29SEP2007		
DIMENSIONS: MM		APVD W.J. KE 29SEP2007	NAME	
TOLERANCES UNLESS OTHERWISE SPECIFIED: 0 PLC ± - 1 PLC ± 0.3 2 PLC ± 0.2 3 PLC ± - 4 PLC ± - ANGLES ± 3°		PRODUCT SPEC 108-57590	ZIF FPC 0.50mm PITCH, 2.0mm HEIGHT, SMT	
MATERIAL SEE NOTE		QUALIFICATION TEST REPORT 501-57687	SIZE A3	CAGE CODE 00779
FINISH SEE NOTE		WEIGHT -	DRAWING NO. C=1775333	RESTRICTED TO -
CUSTOMER DRAWING			SCALE -	SHEET 1 OF 4
			REV G	

C

B

A

AVAILABLE	28.50	27.50	32.50	32.75	56	5-1775333-6
	28.00	27.00	32.00	32.25	55	5-1775333-5
	27.50	26.50	31.50	31.75	54	5-1775333-4
	27.00	26.00	31.00	31.25	53	5-1775333-3
NOT AVAILABLE	<del>26.50</del>	<del>25.50</del>	<del>30.50</del>	<del>30.75</del>	<del>52</del>	<del>5-1775333-2</del>
NOT AVAILABLE	<del>26.00</del>	<del>25.00</del>	<del>30.00</del>	<del>30.25</del>	<del>51</del>	<del>5-1775333-1</del>
AVAILABLE	25.50	24.50	29.30	29.75	50	5-1775333-0
NOT AVAILABLE	<del>25.00</del>	<del>24.00</del>	<del>28.80</del>	<del>29.25</del>	<del>49</del>	<del>4-1775333-9</del>
AVAILABLE	24.50	23.50	28.30	28.75	48	4-1775333-8
NOT AVAILABLE	<del>24.00</del>	<del>23.00</del>	<del>27.80</del>	<del>28.25</del>	<del>47</del>	<del>4-1775333-7</del>
NOT AVAILABLE	<del>23.50</del>	<del>22.50</del>	<del>27.30</del>	<del>27.75</del>	<del>46</del>	<del>4-1775333-6</del>
AVAILABLE	23.00	22.00	26.80	27.25	45	4-1775333-5
NOT AVAILABLE	<del>22.50</del>	<del>21.50</del>	<del>26.30</del>	<del>26.75</del>	<del>44</del>	<del>4-1775333-4</del>
NOT AVAILABLE	<del>22.00</del>	<del>21.00</del>	<del>25.80</del>	<del>26.25</del>	<del>43</del>	<del>4-1775333-3</del>
AVAILABLE	21.50	20.50	25.30	25.75	42	4-1775333-2
NOT AVAILABLE	<del>21.00</del>	<del>20.00</del>	<del>24.80</del>	<del>25.25</del>	<del>41</del>	<del>4-1775333-1</del>
AVAILABLE	20.50	19.50	24.30	24.75	40	4-1775333-0
NOT AVAILABLE	<del>20.00</del>	<del>19.00</del>	<del>23.80</del>	<del>24.25</del>	<del>39</del>	<del>3-1775333-9</del>
NOT AVAILABLE	<del>19.50</del>	<del>18.50</del>	<del>23.30</del>	<del>23.75</del>	<del>38</del>	<del>3-1775333-8</del>
NOT AVAILABLE	<del>19.00</del>	<del>18.00</del>	<del>22.80</del>	<del>23.25</del>	<del>37</del>	<del>3-1775333-7</del>
AVAILABLE	18.50	17.50	22.30	22.75	36	3-1775333-6
	18.00	17.00	21.80	22.25	35	3-1775333-5
TOOLING STATUS	D	C	B	A	POS.	PART NUMBER
	DIMENSIONS					

THIS DRAWING IS A CONTROLLED DOCUMENT.

DWN

CHK

APVD

PRODUCT SPEC

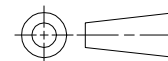
QUALIFICATION TEST REPORT

WEIGHT

CUSTOMER DRAWING

DIMENSIONS:

MM



TOLERANCES UNLESS OTHERWISE SPECIFIED:

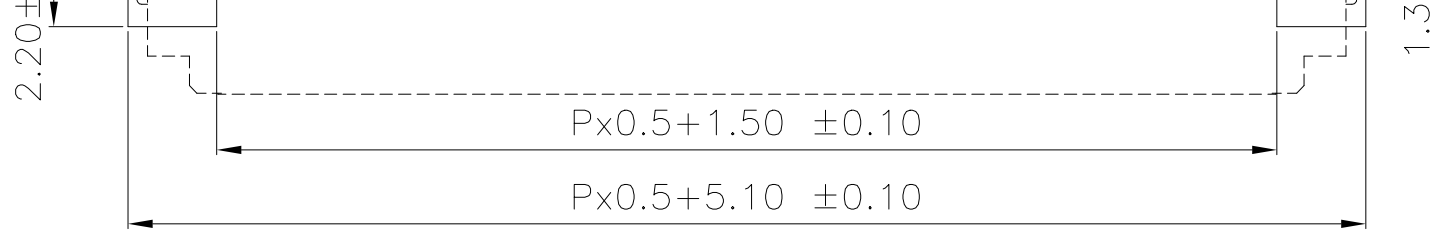
0 PLC	± -
1 PLC	± 0.3
2 PLC	± 0.2
3 PLC	± -
4 PLC	± -
ANGLES	± 3°

MATERIAL

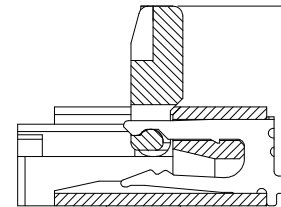
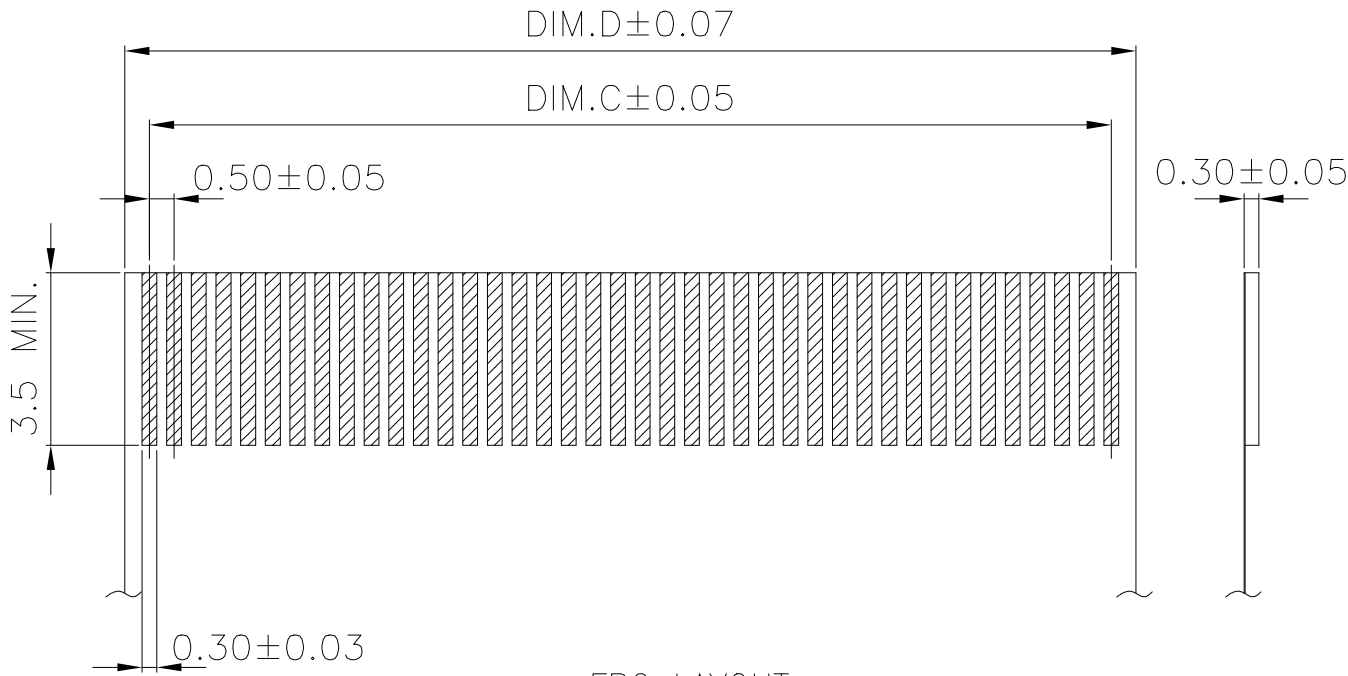
SEE NOTE

FINISH

SEE NOTE



RECOMMENDED P.C. BOARD PATTERN LAYOUT  
 RECOMMENDED METAL MASK THICKNESS: T=0.15

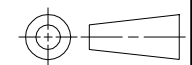


FPC LAYOUT

THIS DRAWING IS A CONTROLLED DOCUMENT.

DIMENSIONS:  
MM

TOLERANCES UNLESS OTHERWISE SPECIFIED:



- 0 PLC ± -
- 1 PLC ± 0.3
- 2 PLC ± 0.2
- 3 PLC ± -
- 4 PLC ± -
- ANGLES ± 3°

MATERIAL  
SEE NOTE

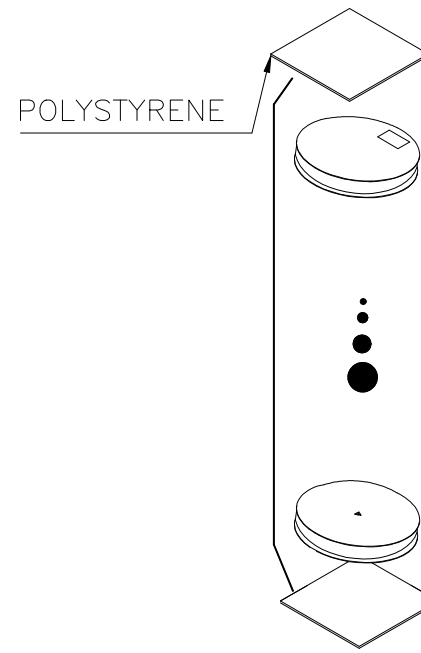
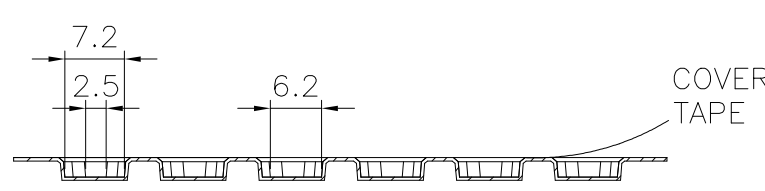
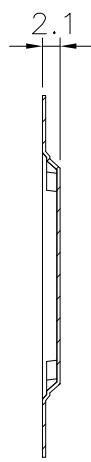
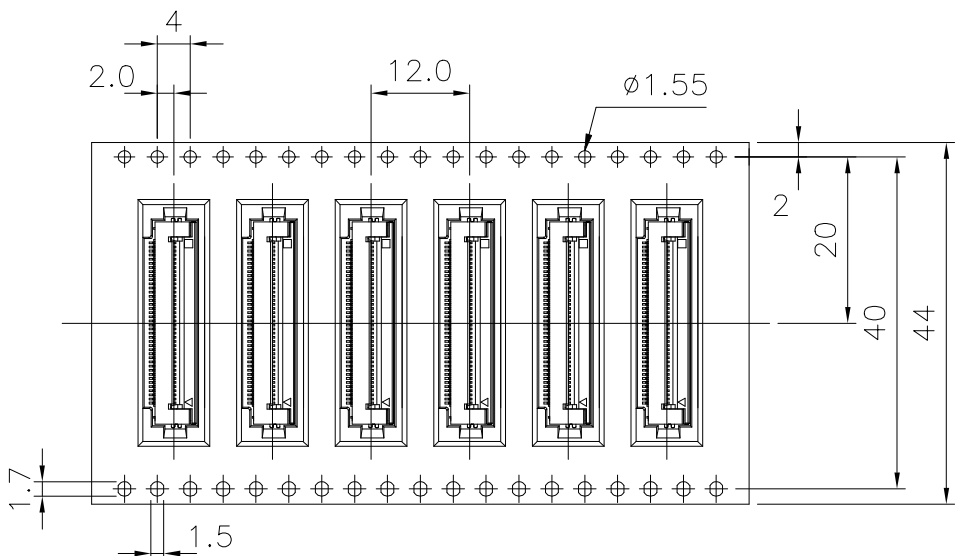
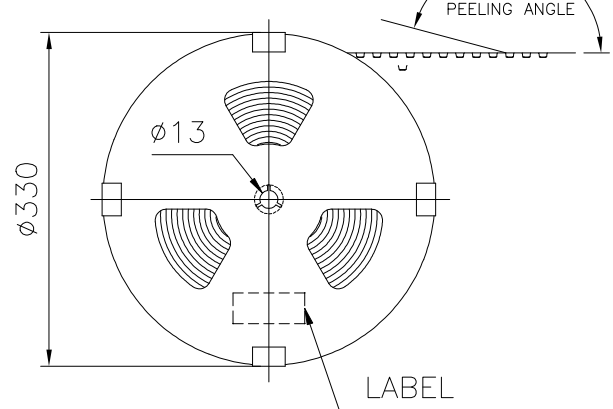
FINISH  
SEE NOTE

DWN	
CHK	
APVD	
PRODUCT SPEC	-
QUALIFICATION TEST REPORT	-
WEIGHT	-
CUSTOMER DRAWING	

C

B

A



4.5~5.3	2.8~3.0
4.4~5.6	2.3~3.0
4.9~5.9	2.5~3.0
4.5~6.5	1.5~3.0
GROSS WT.(KG)	NET WT

THIS DRAWING IS A CONTROLLED DOCUMENT.	
DIMENSIONS: MM	TOLERANCES UNLESS OTHERWISE SPECIFIED:
	0 PLC ± -
	1 PLC ± -
	2 PLC ± -
	3 PLC ± -
	4 PLC ± -
ANGLES ± -	
MATERIAL	FINISH

DWN
CHK
APVD
PRODUCT SPEC
APPLICATION SPEC
WEIGHT
CUSTOMER DRAWING

## X-ON Electronics

Largest Supplier of Electrical and Electronic Components

*Click to view similar products for [FFC & FPC Connectors](#) category:*

*Click to view products by [TE Connectivity](#) manufacturer:*

Other Similar products are found below :

[FPH-1422G](#) [FPH-1602G](#) [K-FC20](#) [FH29B-80S-0.2SHW\(99\)](#) [FPH-2022G](#) [AYF332735](#) [52610-1075](#) [52610-1275](#) [52610-1934](#) [501864-3091-TR225](#) [086222026001800](#) [52610-0675](#) [62684-36210E9ALF](#) [52746-1671-TR250](#) [10051922-2810EHLF](#) [6-520415-9](#) [SFV6R-1STE9HLF](#) [XF3M-2915-1B-R100](#) [1658549-1](#) [AYF534065TA](#) [AYF351525](#) [086212040340800+](#) [AYF530365TA](#) [67000-014LF](#) [67000-004LF](#) [006207341915000+](#) [DS1020-19RT1D](#) [67000-003LF](#) [67000-011LF](#) [67000-016LF](#) [HFW14R-2STE9LF](#) [SFV32R-2STBE9HLF](#) [SFW12R-5STE9LF](#) [SFW18R-1STAE9LF](#) [SFW4R-5STE9LF](#) [52807-0430](#) [046283021002868+](#) [THD1015-8CL-SN](#) [67000-006LF](#) [502250-8027](#) [104267-9617](#) [66987-011LF](#) [AYF362535](#) [F0501-T-50-20T-R](#) [F1003-ZV-12-25T-R](#) [HFW8S-2STAE1HLF](#) [67000-008LF](#) [67000-012LF](#) [ECC576069EU](#) [F1002-B-20-20T-R](#)