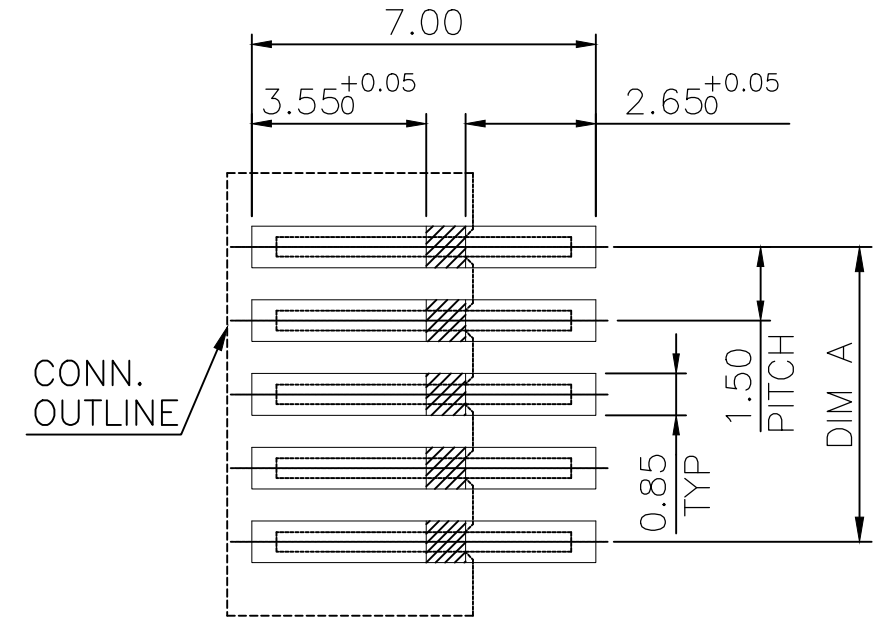
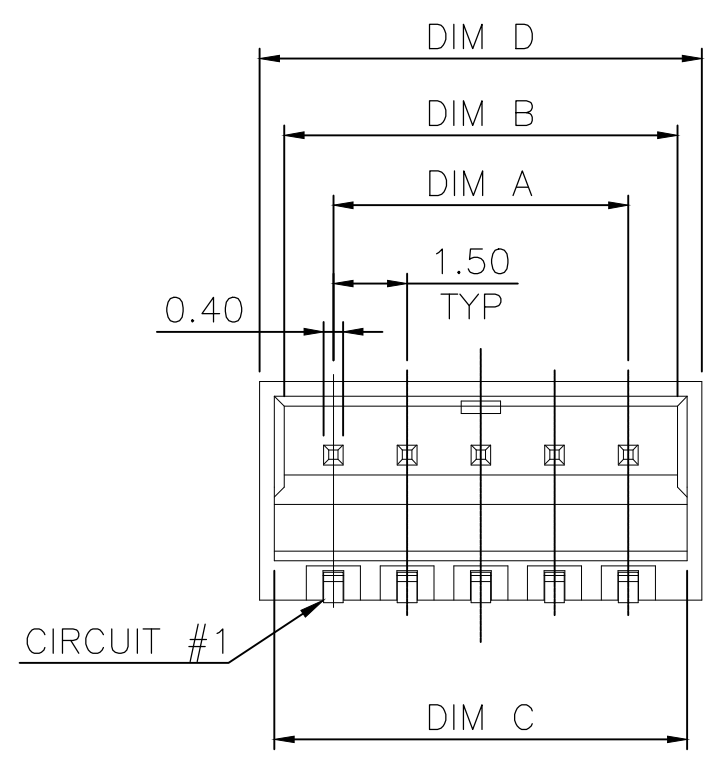


THIS DRAWING IS UNPUBLISHED. RELEASED FOR PUBLICATION  
 © COPYRIGHT - TE Connectivity Ltd. ALL RIGHTS RESERVED.

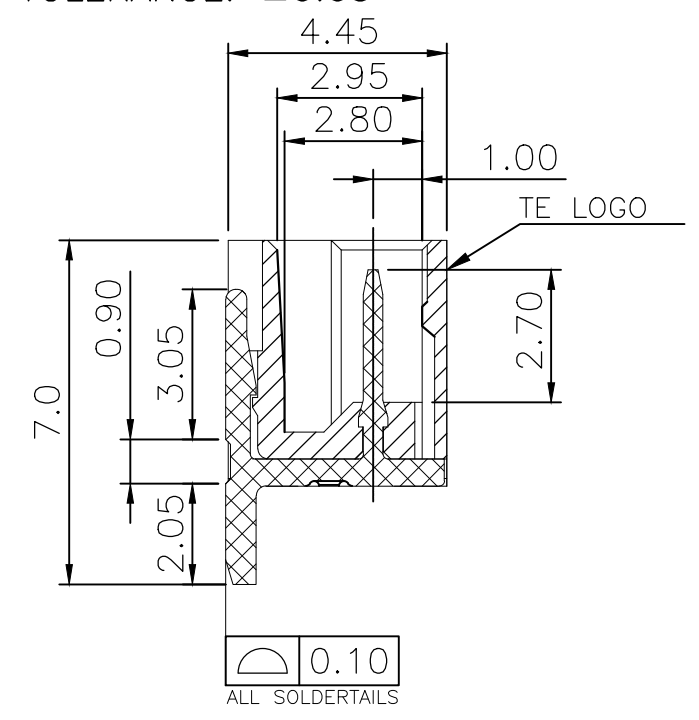
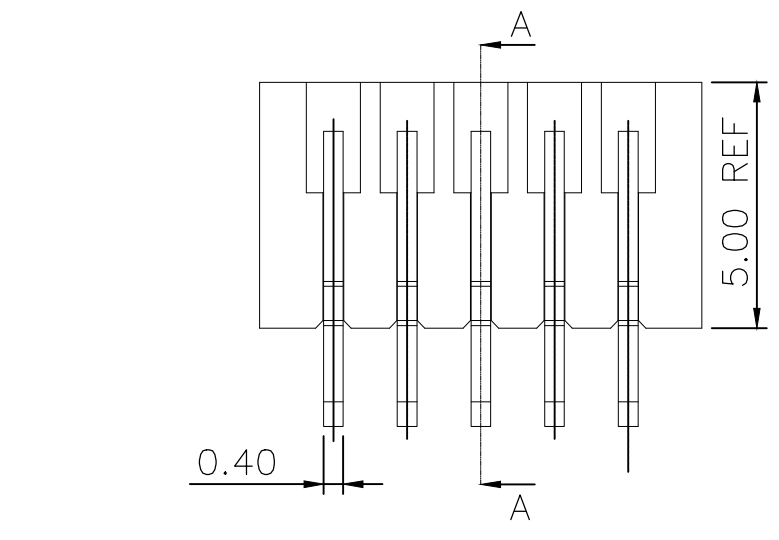
| REVISIONS |     |               |           |     |      |
|-----------|-----|---------------|-----------|-----|------|
| P         | LTR | DESCRIPTION   | DATE      | DWN | APVD |
|           | A5  | ECR-19-002226 | 13FEB2019 | T.Q | W.H  |



WITHOUT SOLDER AREA  
 RECOMMENDED PCB LAYOUT  
 TOLERANCE: ±0.05

NOTES:

- MATERIALS:  
 HOUSING: THERMOPLASTIC, UL94-V0, COLOR: NATURAL.  
 TERMINAL: BRASS, THICKNESS=0.4mm.
- FINISH:  
 TERMINAL: 100µ" MIN. BRIGHT TIN PLATED OVER  
 50µ" MIN. NICKEL UNDERPLATED ALL OVER.
- TERMINAL RETENTION FORCE: 1.0 Kgf MIN.
- REFLOW SOLDER CAPABLE TO 260°C PER TE CONNECTIVITY SPEC 109-201, CONDITION B.



SECTION A-A

| PACKAGE | DIMENSIONS |       |       |       | POS.  | PART NUMBER |
|---------|------------|-------|-------|-------|-------|-------------|
|         | D          | C     | B     | A     |       |             |
| REEL    | 24.00      | 23.40 | 23.00 | 21.00 | 15    | 6-1775444-5 |
|         | 22.50      | 21.90 | 21.50 | 19.50 | 14    | 6-1775444-4 |
|         | 21.00      | 20.40 | 20.00 | 18.00 | 13    | 6-1775444-3 |
|         | 19.50      | 18.90 | 18.50 | 16.50 | 12    | 6-1775444-2 |
|         | 18.00      | 17.40 | 17.00 | 15.00 | 11    | 6-1775444-1 |
|         | 16.50      | 15.90 | 15.50 | 13.50 | 10    | 6-1775444-0 |
|         | 15.00      | 14.40 | 14.00 | 12.00 | 9     | 5-1775444-9 |
|         | 13.50      | 12.90 | 12.50 | 10.50 | 8     | 5-1775444-8 |
|         | 12.00      | 11.40 | 11.00 | 9.00  | 7     | 5-1775444-7 |
|         | 10.50      | 9.90  | 9.50  | 7.50  | 6     | 5-1775444-6 |
|         | 9.00       | 8.40  | 8.00  | 6.00  | 5     | 5-1775444-5 |
|         | 7.50       | 6.90  | 6.50  | 4.50  | 4     | 5-1775444-4 |
|         | 6.00       | 5.40  | 5.00  | 3.00  | 3     | 5-1775444-3 |
|         | 4.50       | 3.90  | 3.50  | 1.50  | 2     | 5-1775444-2 |
|         | TUBE       | 24.00 | 23.40 | 23.00 | 21.00 | 15          |
| 22.50   |            | 21.90 | 21.50 | 19.50 | 14    | 1-1775444-4 |
| 21.00   |            | 20.40 | 20.00 | 18.00 | 13    | 1-1775444-3 |
| 19.50   |            | 18.90 | 18.50 | 16.50 | 12    | 1-1775444-2 |
| 18.00   |            | 17.40 | 17.00 | 15.00 | 11    | 1-1775444-1 |
| 16.50   |            | 15.90 | 15.50 | 13.50 | 10    | 1-1775444-0 |
| 15.00   |            | 14.40 | 14.00 | 12.00 | 9     | 1775444-9   |
| 13.50   |            | 12.90 | 12.50 | 10.50 | 8     | 1775444-8   |
| 12.00   |            | 11.40 | 11.00 | 9.00  | 7     | 1775444-7   |
| 10.50   |            | 9.90  | 9.50  | 7.50  | 6     | 1775444-6   |
| 9.00    |            | 8.40  | 8.00  | 6.00  | 5     | 1775444-5   |
| 7.50    |            | 6.90  | 6.50  | 4.50  | 4     | 1775444-4   |
| 6.00    |            | 5.40  | 5.00  | 3.00  | 3     | 1775444-3   |
| 4.50    |            | 3.90  | 3.50  | 1.50  | 2     | 1775444-2   |

|   |  |                            |   |                 |                      |                 |
|---|--|----------------------------|---|-----------------|----------------------|-----------------|
| THIS DRAWING IS A CONTROLLED DOCUMENT.  |  | DWN Tommy Qian 08NOV2018   | TE Connectivity                             |                 |                      |                 |
| DIMENSIONS: mm  |  | CHK Wenke He 08NOV2018     |   |                 |                      |                 |
| TOLERANCES UNLESS OTHERWISE SPECIFIED:  |  | APVD Wenke He 08NOV2018    | NAME  |                 |                      |                 |
| 0 PLC ± -<br>1 PLC ± 0.25<br>2 PLC ± 0.15<br>3 PLC ± 0.10<br>4 PLC ± -<br>ANGLES ± -<br>MATERIAL SEE NOTE |  | PRODUCT SPEC 108-57631     | EMIX CONN., RIGHT ANGLE<br>1.5mm PITCH, HDR |                 |                      |                 |
| FINISH SEE NOTE   |  | APPLICATION SPEC 114-57018 | SIZE A3                                     | CAGE CODE 00779 | DRAWING NO C-1775444 | RESTRICTED TO - |
|   |  | WEIGHT -                   | CUSTOMER DRAWING                            |                 | SCALE -              | SHEET 1 OF 3    |
|   |  |                            |   |                 |                      | REV A5          |

THIS DRAWING IS UNPUBLISHED.

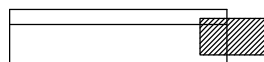
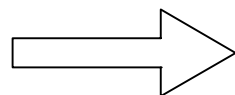
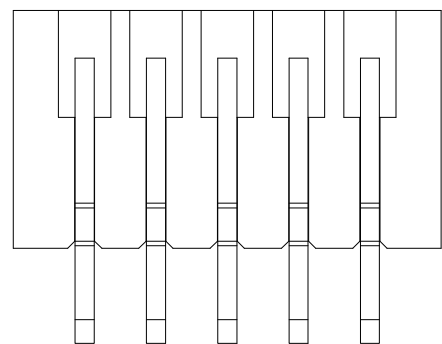
RELEASED FOR PUBLICATION

REVISIONS

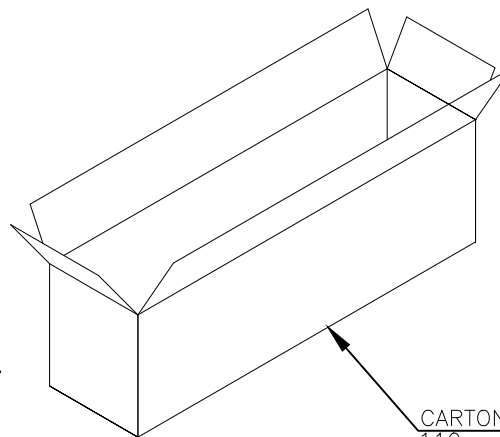
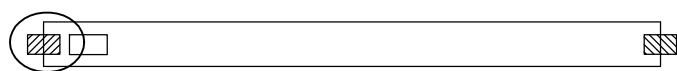
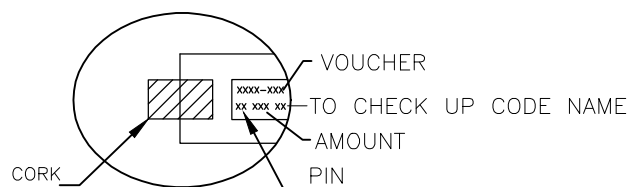
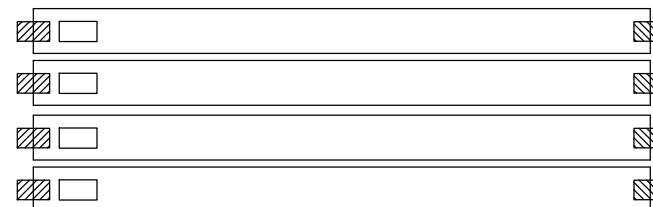
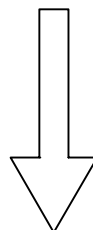
© COPYRIGHT - TE Connectivity Ltd.

ALL RIGHTS RESERVED.

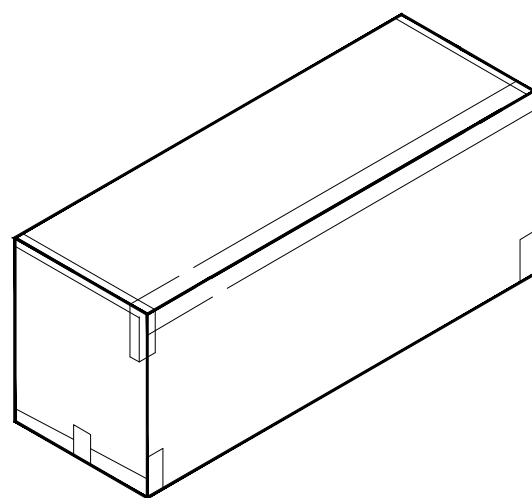
| P | LTR | DESCRIPTION | DATE | DWN | APVD |
|---|-----|-------------|------|-----|------|
| - | -   | SEE SHEET 1 | -    | -   | -    |



TUBE  
600mm(L)\*8.2mm(W)\*9.4mm(H)



CARTON  
110mm(L)\*100mm(W)\*615mm(H)



| 20           | 100              | 2000              | 15   | 1-1775444-5 |
|--------------|------------------|-------------------|------|-------------|
| 25           | 100              | 2500              | 14   | 1-1775444-4 |
| 25           | 100              | 2500              | 13   | 1-1775444-3 |
| 25           | 100              | 2500              | 12   | 1-1775444-2 |
| 30           | 100              | 3000              | 11   | 1-1775444-1 |
| 35           | 100              | 3500              | 10   | 1-1775444-0 |
| 35           | 100              | 3500              | 9    | 1775444-9   |
| 40           | 100              | 4000              | 8    | 1775444-8   |
| 45           | 100              | 4500              | 7    | 1775444-7   |
| 55           | 100              | 5500              | 6    | 1775444-6   |
| 60           | 100              | 6000              | 5    | 1775444-5   |
| 75           | 100              | 7500              | 4    | 1775444-4   |
| 95           | 100              | 9500              | 3    | 1775444-3   |
| 125          | 100              | 12500             | 2    | 1775444-2   |
| PCS/<br>TUBE | TUBES/<br>CARTON | QUANTITY<br>(PCS) | POS. | PART NUMBER |

|   |  |              |  |        |           |            |               |
|---|--|--------------|--|--------|-----------|------------|---------------|
| THIS DRAWING IS A CONTROLLED DOCUMENT.                                      |  | DWN          | TE Connectivity<br>EMIX CONN., RIGHT ANGLE<br>1.5mm PITCH, HDR |        |           |            |               |
| DIMENSIONS: mm  |  | CHK          |  |        |           |            |               |
| TOLERANCES UNLESS OTHERWISE SPECIFIED:                                      |  | APVD         |  |        |           |            |               |
| 0 PLC ± -<br>1 PLC ± -<br>2 PLC ± -<br>3 PLC ± -<br>4 PLC ± -<br>ANGLES ± - |  | PRODUCT SPEC |  |        |           |            |               |
| MATERIAL  |  | FINISH       | APPLICATION SPEC   | SIZE   | CAGE CODE | DRAWING NO | RESTRICTED TO |
|   |  |              | WEIGHT   | A3     | 00779     | C-1775444  | -             |
| CUSTOMER DRAWING  |  |              | SCALE  | SHEET  | REV       |            |               |
|   |  |              | -  | 2 of 3 | A5        |            |               |

THIS DRAWING IS UNPUBLISHED.

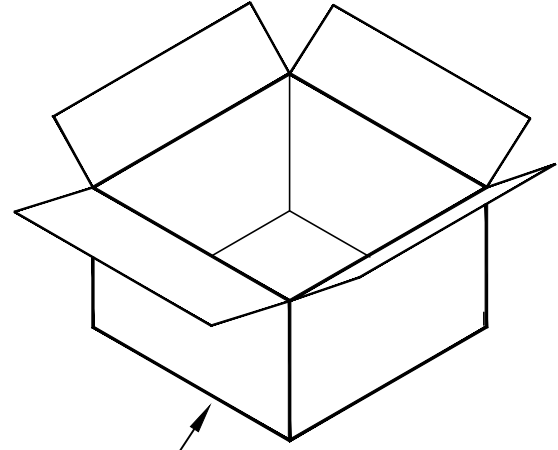
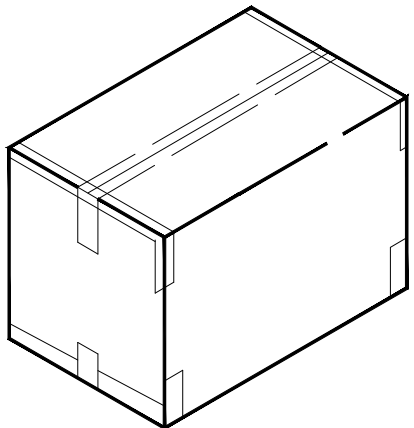
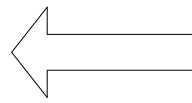
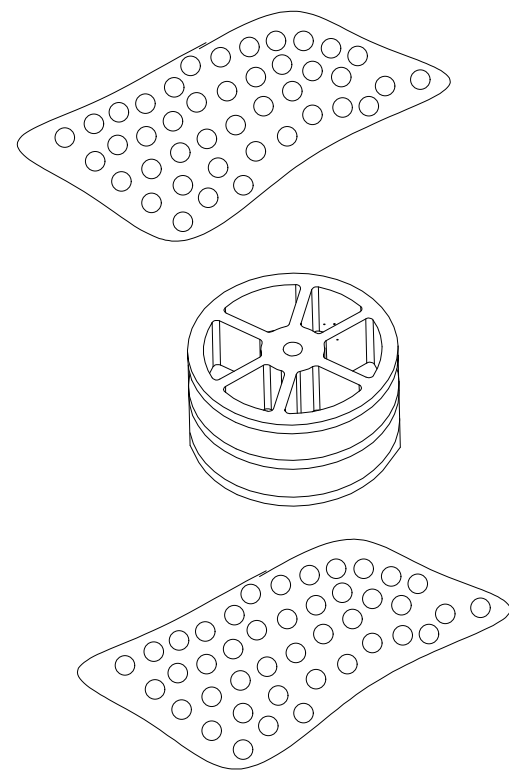
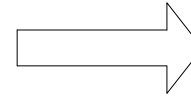
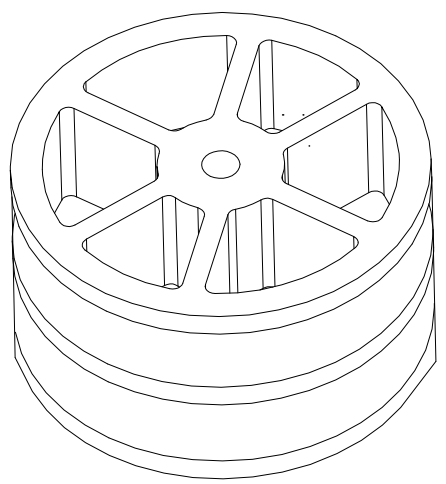
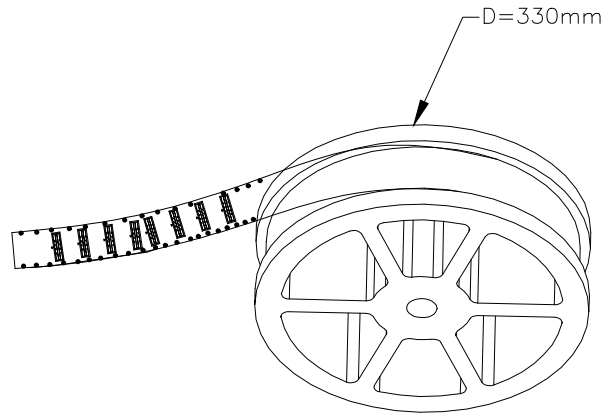
RELEASED FOR PUBLICATION

© COPYRIGHT - TE Connectivity Ltd.

ALL RIGHTS RESERVED.

REVISIONS

| P | LTR | DESCRIPTION | DATE | DWN | APVD |
|---|-----|-------------|------|-----|------|
| - | -   | SEE SHEET 1 | -    | -   | -    |



CARTON  
335mm(L)\*335mm(W)\*480mm(H)

| 1000     | 4            | 4000           | 15   | 6-1775444-5 |
|----------|--------------|----------------|------|-------------|
| 1000     | 4            | 4000           | 14   | 6-1775444-4 |
| 1000     | 4            | 4000           | 13   | 6-1775444-3 |
| 1000     | 4            | 4000           | 12   | 6-1775444-2 |
| 1000     | 4            | 4000           | 11   | 6-1775444-1 |
| 1000     | 4            | 4000           | 10   | 6-1775444-0 |
| 1000     | 6            | 6000           | 9    | 5-1775444-9 |
| 1000     | 6            | 6000           | 8    | 5-1775444-8 |
| 1000     | 6            | 6000           | 7    | 5-1775444-7 |
| 1000     | 6            | 6000           | 6    | 5-1775444-6 |
| 1000     | 6            | 6000           | 5    | 5-1775444-5 |
| 1000     | 9            | 9000           | 4    | 5-1775444-4 |
| 1000     | 9            | 9000           | 3    | 5-1775444-3 |
| 1000     | 9            | 9000           | 2    | 5-1775444-2 |
| PCS/REEL | REELS/CARTON | QUANTITY (PCS) | POS. | PART NUMBER |

THIS DRAWING IS A CONTROLLED DOCUMENT.

| DIMENSIONS: | TOLERANCES UNLESS OTHERWISE SPECIFIED: |
|-------------|--|
| mm          |  |
|             | 0 PLC ± -                              |
|             | 1 PLC ± -                              |
|             | 2 PLC ± -                              |
|             | 3 PLC ± -                              |
|             | 4 PLC ± -                              |
|             | ANGLES ± -                             |
| MATERIAL    | FINISH                                 |

|                  |   |
|------------------|---|
| DWN              | - |
| CHK              | - |
| APVD             | - |
| PRODUCT SPEC     | - |
| APPLICATION SPEC | - |
| WEIGHT           | - |
| CUSTOMER DRAWING |   |

**STE** TE Connectivity

EMIX CONN., RIGHT ANGLE  
1.5mm PITCH, HDR

|      |           |            |               |
|------|-----------|------------|---------------|
| SIZE | CAGE CODE | DRAWING NO | RESTRICTED TO |
| A3   | 00779     | C-1775444  | -             |

SCALE - SHEET 3 of 3 REV A5

## X-ON Electronics

Largest Supplier of Electrical and Electronic Components

*Click to view similar products for [Headers & Wire Housings](#) category:*

*Click to view products by [TE Connectivity](#) manufacturer:*

Other Similar products are found below :

[892-18-020-10-001101](#) [58102-G61-06LF](#) [582553-1](#) [0009485154](#) [009176003701906](#) [0050291907](#) [LY20-4P-DT1-P1E-BR](#) [02.125.8002.8](#)  
[609-3404](#) [61062-3](#) [61082-181009](#) [622-3653LF](#) [63453-116](#) [636-1030](#) [636-1427](#) [636-3427](#) [636-4007](#) [641938-9](#) [641991-4](#) [644827-2](#) [65817-010LF](#) [65817-015LF](#) [65863-015LF](#) [66207-023LF](#) [67095-007LF](#) [67601157](#) [68645-018](#) [68648-049](#) [70.362.1628.0](#) [70-4210](#) [70-4226B](#) [70-4853B](#) [707-5020](#) [707-5028](#) [71.350.2428.0](#) [71918-208LF](#) [71961-016LF](#) [733-134](#) [733-162](#) [754199-000](#) [760-3052](#) [787-8014-00](#) [79531-3000](#)  
[FCN-360C032-B](#) [FCN-367T-T012/H](#) [FCN-723D010/2](#) [80.063.4001.1](#) [800-90-001-10-001000](#) [800-90-010-10-002000](#) [801-43-002-10-013000](#)