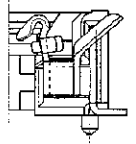
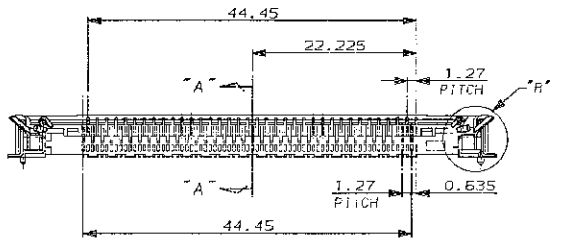
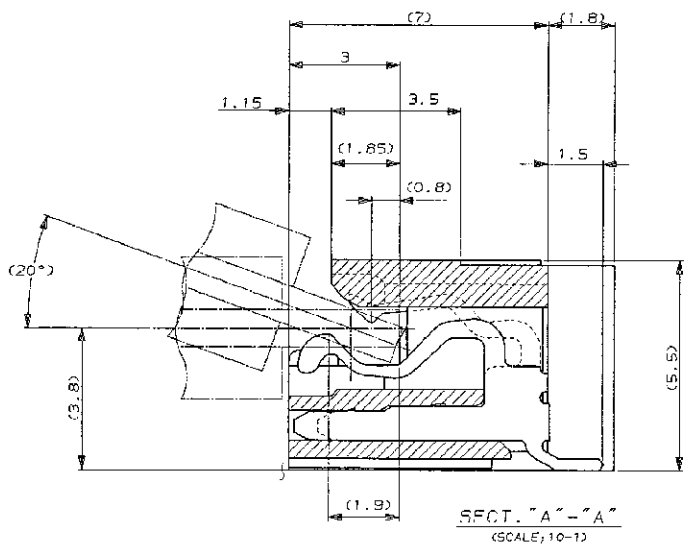
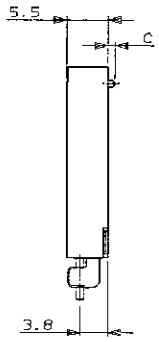
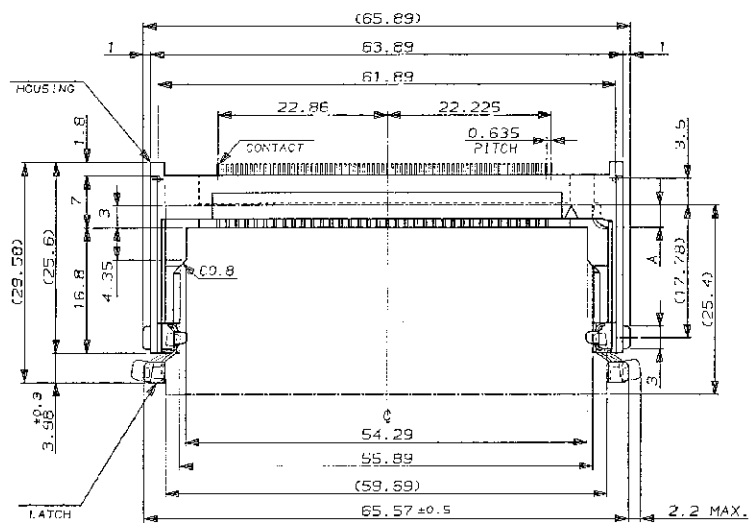
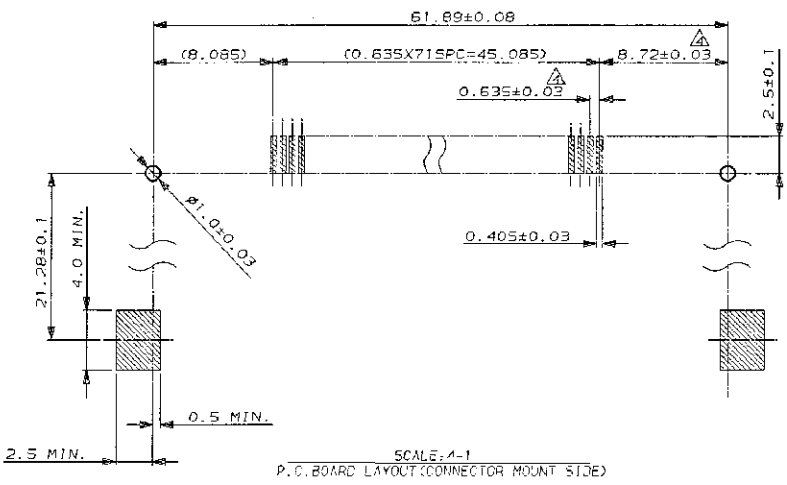


NUMBER C-ST77827
 METRIC
 MADE IN CHINA



DETAIL "B"
(SCALE: 5-1)

- NOTES
- MATERIAL & FINISH
 HOUSING : GLASS FILLED LCP
 CONTACT : COPPER ALLOY
 FINISH--SEE NOTES
 LATCH : COPPER ALLOY, TIN PL.
 CONTACT PLATING (AU PL. TYPE)
 Au(0.3µm) PL. AT CONTACT, TIN PL. AT
 TINE OVER NI PL.
 CONTACT PLATING (TIN PL. TYPE)
 TIN PL. (2µm) OVER NI PL.
 TOLERANCE : NON CUMULATIVE.
 CONTACT PLATING (AU PL. TYPE)
 Au(1.27µm) PL. AT CONTACT, TIN PL. AT
 TINE OVER NI PL.
- 6** OBSOLETE PARTS: OBSOLETE CIS STREAMLINING PER
D.RENAUD/D.SINISI

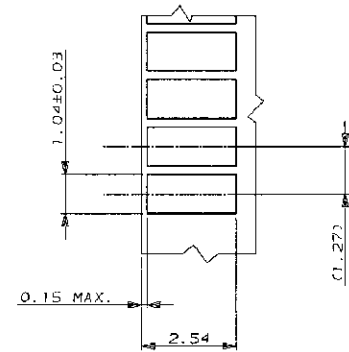
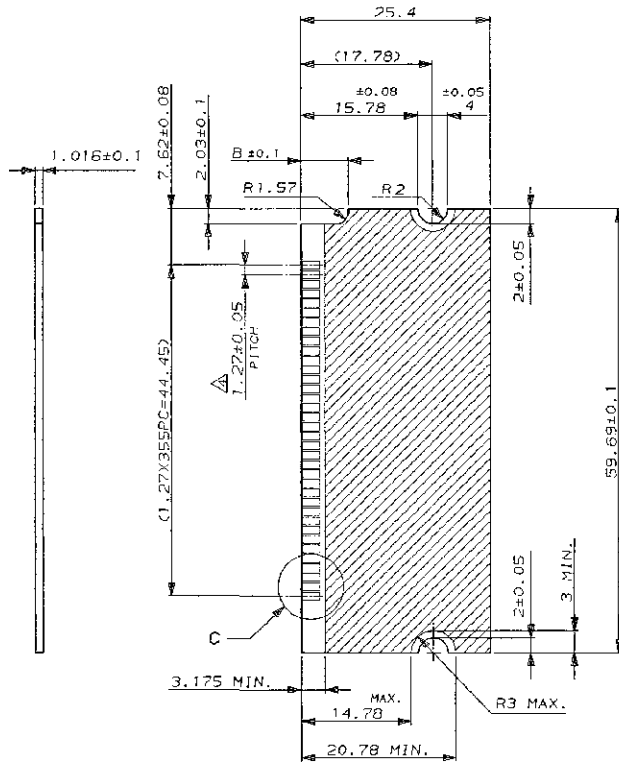
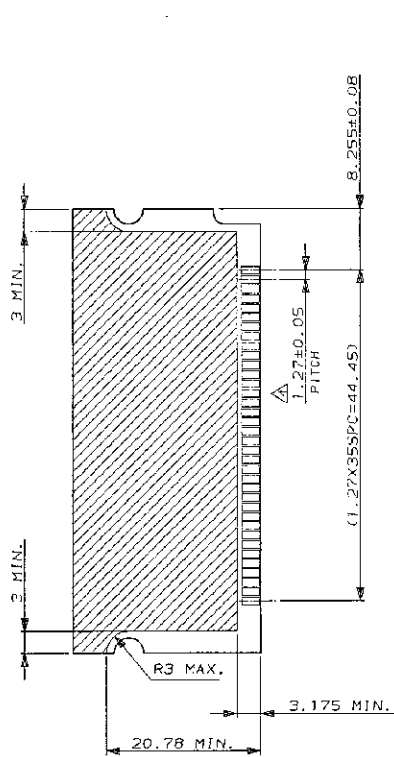


SCALE: 1-1
P.C. BOARD LAYOUT (CONNECTOR MOUNT SIDE)

6 OBSOLETE	NATURAL	↑	2.95	△ 1.27µm Au	5177827-4
	BLACK	↑	6.15	△ TIN	5177827-3
6 OBSOLETE	NATURAL	↑	2.98	△ 0.3µm Au	5177827-2
	NATURAL	↑	2.98	△ 0.3µm Au	5177827-1
HOUSING COLOR		C	A	PLATING (CONTACT POINT)	PART No.

Copyright © 1993		Copyright © 1993		TYP Electronics	
REVISED PER ECO-10-000445		KK	AEG	MARK	
RELEASED ECR-05-011016		LZ	S.Y	ISS	
PREVISION RECORD		DR	CHK	DATE	
SEE NOTES		INSULATION PARTS		NAME	
MATERIAL		FINISH		M III SOCKET	
APP. LEO ZHOU 15SEP03		APP. STEVEN YAO 15SEP03		SCALE 2-1	
CHK. T. KAWAMAE 15SEP03		APP. STEVEN YAO 15SEP03		REV. 01	
DRAWN		CHECKED		DATE	
DATE		DATE		DATE	

DIMENSIONS IN MM, DO NOT SCALE PRINT
 PRINT JUST
 AMP: 20-03-20
 REV: 3/99



DETAIL C (SCALE: 10-1)



COMPONENT AREA

(SMALL OUTLINE SIMM)
RECOMMENDED DIMENSIONS OF "SMALL OUTLINE SIMM" P.C. BOARD

6.35	5.0V
3.175	3.3V
B	CIRCUIT VOLTAGE

Copyright © 1993		Copyright © 1993		tyco		tyco Electronics MFG. CO.	
AMP (Japan), LTD.		ALL RIGHTS RESERVED.		Electronics		tyco Electronics Corp.	
WIRE GAUGE		(INSULATION DIA.)		(NAME)			
mm (AWG -)		mm		M III SOCKET			
(MATERIAL)		(FINISH)		C		J	
SEE NOTES		SEE NOTES		C-5177827		REV. 01	
DATE	CHK.	DATE	APP.	(SCALE)		SHEET	
LTR	(REVISION RECORD)	DR	CHK	2-1		2 OF 2	

X-ON Electronics

Largest Supplier of Electrical and Electronic Components

Click to view similar products for [DIMM Connectors](#) category:

Click to view products by [TE Connectivity](#) manufacturer:

Other Similar products are found below :

[1-1932649-2](#) [1-1761024-0](#) [2309411-5](#) [1932180-2](#) [0783590111](#) [0783590001](#) [0877051053](#) [10079248-11103LF](#) [10086891-052TSLF](#)
[10116658-252ASLF](#) [59355-052FSLF](#) [5390471-1](#) [10074146-13211LF](#) [10079248-10202LF](#) [2309407-3](#) [10033853-052ASLF](#) [87782-6003](#) [KIT-](#)
[SODIMM-1X16GB/01](#) [0780350001](#) [0878030012](#) [75.963AT.G020C](#) [78.B1GDE.AF1](#) [10078239-11103LF](#) [6-390322-1](#) [2013311-1](#) [2309410-1](#)
[10116658-052FSLF](#) [10116658-152FSLF](#) [1-1735438-3](#) [78730-1002](#) [78726-1002](#) [2013310-1](#) [390111-1](#) [1735438-3](#) [78373-0011](#) [2308107-1](#) [2-](#)
[2308107-1](#) [2309411-1](#) [5-1746530-4](#) [2309408-1](#) [2309409-1](#) [2309412-1](#) [151134-0001](#) [2309413-1](#) [296406200001856+](#) [2309407-1](#) [FCN-](#)
[074J240-G/1D](#) [FCN-074B288-G/2D](#) [2309414-1](#) [10081530-12208LF](#)