

REVISIONS					
P	LTR	DESCRIPTION	DATE	DWN	APVD
	C3	REVISED PER ECR-19-017851	28NOV2019	SM	DZ

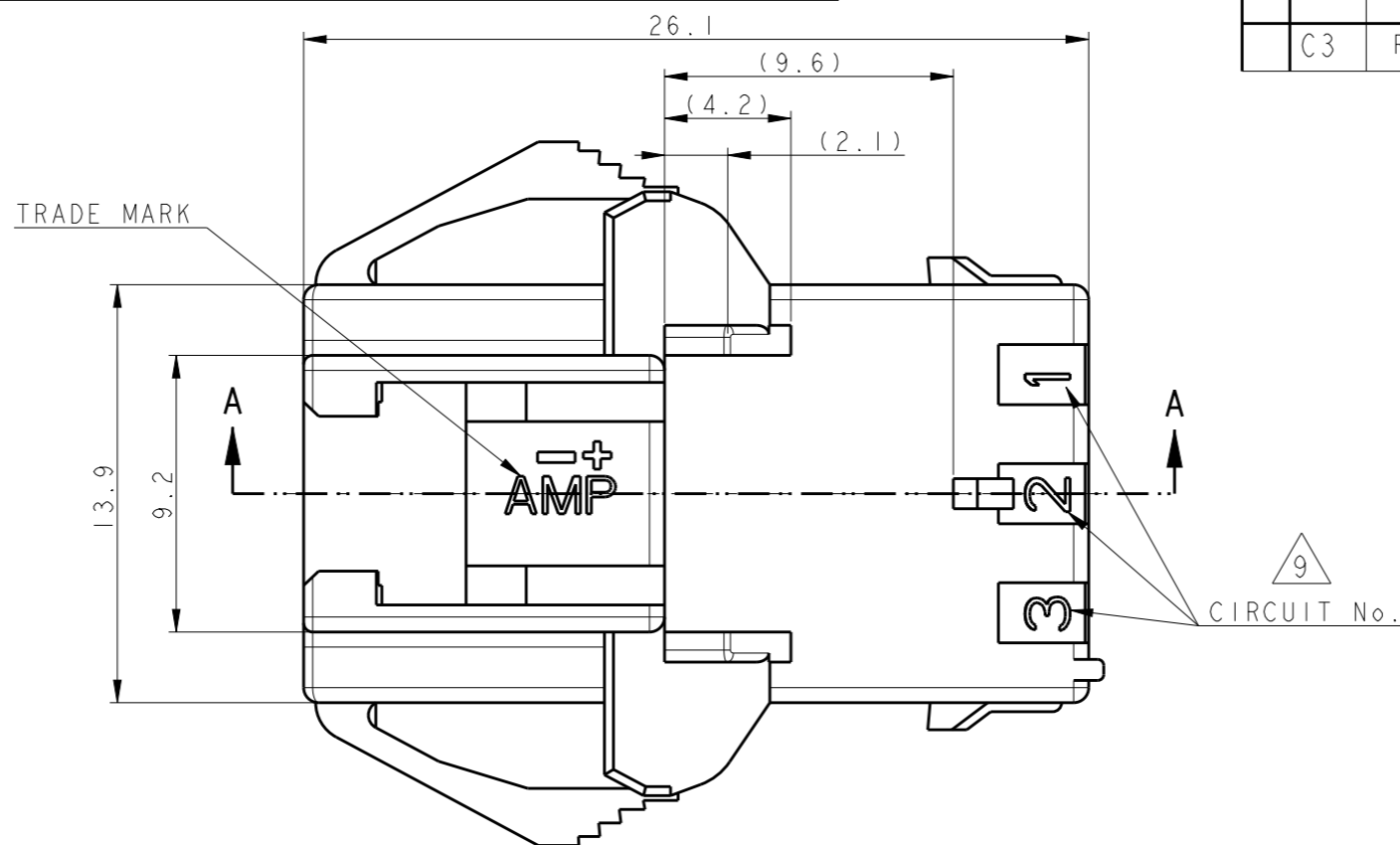
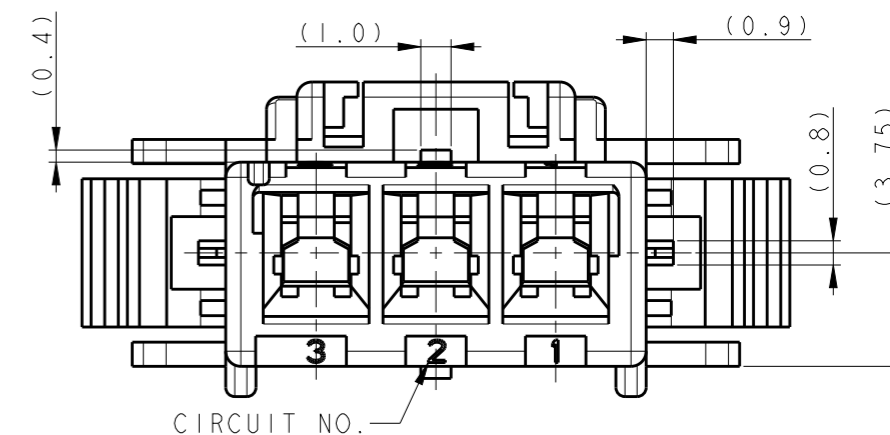
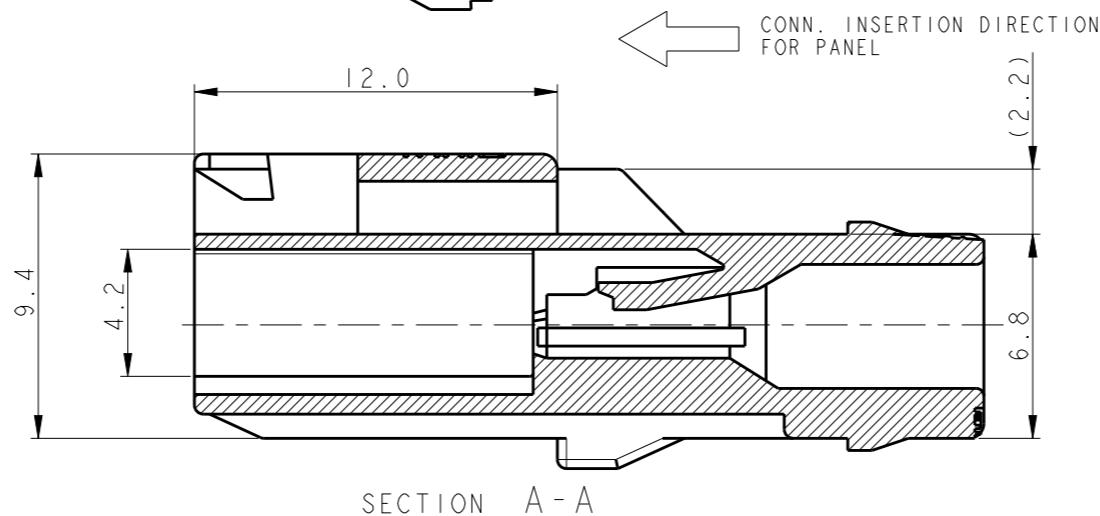
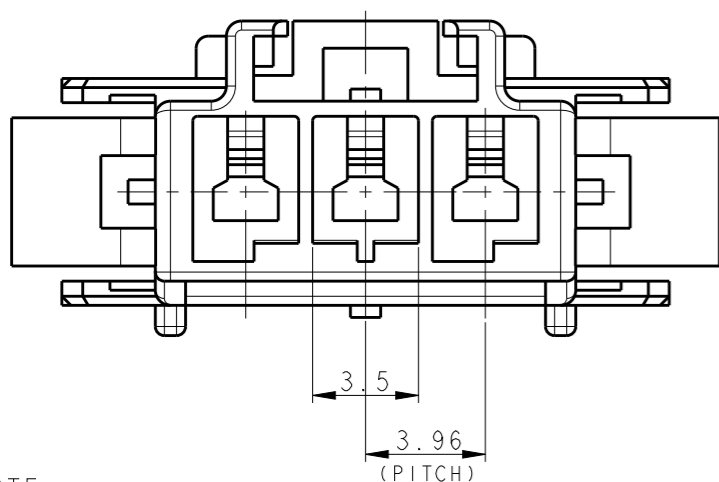


FIG 1. RECOMMENDED PANEL OPENING DIMENSION
 TOLERANCES: ±0.13

9 TABLE 1

TRADE MARK	MANUFACTURING PLACE
-+AMP OR AMP	CHINA
•AMP OR AMP	KOREA
-AMP OR AMP	JAPAN



NOTE;

1. APPLICABLE CONTACT P/N
 -TAB CONTACT: 177917-□ (AWG#20-#16)
 177916-□ (AWG#26-#22)
2. MATING CONN. P/N
 -PLUG HSG: 177899-□
 -REC CONTACT: 177915-□ (AWG#20-#16)
 : 177914-□ (AWG#26-#22)
4. APPLICABLE PLATE P/N: 177919-□
5. INSTRUCTION SHEET: 411-5638
6. APPLICATOIN PANEL THICKNESS: 0.8~2.0 (SEE FIG 1.)PART
7. INSERT CONN. FROM PRESS DIRECTION SIDE FOR METAL PANEL.
8. EDGE OF THICKNESS MAY MUST NOT ROUND FOR MOLDED PANEL.
9. SEE TABLE 1
10. ALL PARTS MEET REI ELECTRICAL RATING OF 105°C ACCORDING TO UL1977
11. PART 5-177907-1 COMPLY WITH GLOW WIRE REQUIREMENT FOR PART OF NON-MATERIAL SUPPORTING A CURRENT-CARRYING CONNECTION DETAILED IN IEC60335-1 SECTION 30 (GWT)

3	5-177907-1	NATURAL
3	177907-9	BLACK
3	177907-6	BLUE
3	177907-4	YELLOW
3	177907-2	RED
3	177907-1	NATURAL
POS.	P/N	COLOR

THIS DRAWING IS A CONTROLLED DOCUMENT.		DWN M. SUZUKI 9. SEP. '93	TE Connectivity	
DIMENSIONS: mm		CHK M. SHINDO 9. SEP. '93		
TOLERANCES UNLESS OTHERWISE SPECIFIED:		APVD Y. KASHIWA 9. SEP. '93	NAME AMP PDL CONN., 3.96MM PITCH 3P CAP HOUSING (PANEL MOUNT)	
0 PLC ±		PRODUCT SPEC 108-5410	SIZE A3	
1 PLC ±0.1		APPLICATION SPEC 114-5175	CAGE CODE 00779	DRAWING NO C-177907
2 PLC ±0.05		WEIGHT -	RESTRICTED TO -	
3 PLC ±0.025		CUSTOMER DRAWING	SCALE 4:1	SHEET 1 OF 1
4 PLC ±0.0001			REV C3	
ANGLES ±				
FINISH -				
MATERIAL 6/6 NYLON (UL94V-0)				

X-ON Electronics

Largest Supplier of Electrical and Electronic Components

Click to view similar products for [Power to the Board](#) category:

Click to view products by [TE Connectivity](#) manufacturer:

Other Similar products are found below :

[6450171-4](#) [6450552-7](#) [6600323-8](#) [6643429-1](#) [6646040-2](#) [6651939-1](#) [6766604-1](#) [120959-1](#) [1393557-2](#) [1393532-2](#) [1393532-3](#) [1393532-4](#)
[1393557-1](#) [1600812-5](#) [1-6450861-2](#) [1744132-7](#) [1761122-1](#) [1766250-1](#) [1892109-1](#) [2-6450860-5](#) [2-6450870-0](#) [1-6450161-4](#) [1-6450850-6](#) [1-](#)
[6450869-6](#) [1645526-2](#) [1-6600130-0](#) [2005243-2](#) [377-0020-11130](#) [TE34-12-16P-F0](#) [51700-10201602AALF](#) [5-6450830-6](#) [5646956-4](#) [377-](#)
[0080-11131A](#) [4-6450830-9](#) [4-6600333-3](#) [10125416-4050LF](#) [10130248-005LF](#) [6600320-3](#) [3-6450860-5](#) [1888123-2](#) [6450166-1](#) [6643978-1](#)
[6766605-1](#) [701-15-02109](#) [N11444](#) [6651938-1](#) [6450810-7](#) [46437-1112](#) [1-1589677-8](#) [5646956-5](#)