

4

3

2

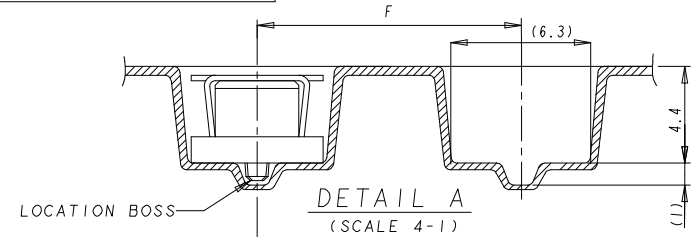
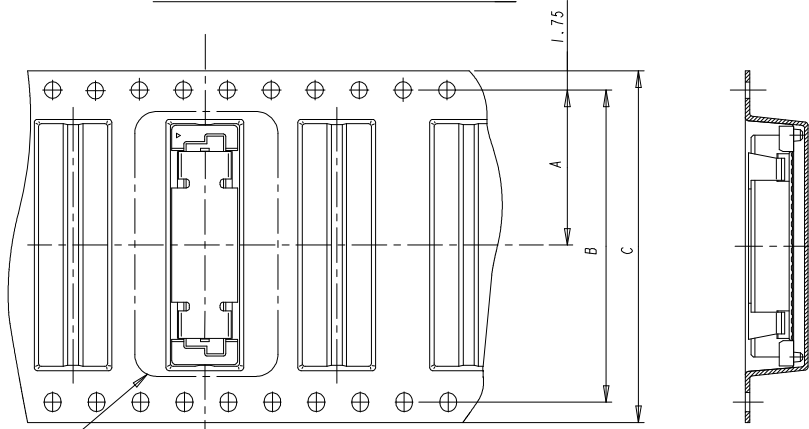
1

THIS DRAWING IS UNPUBLISHED. RELEASED FOR PUBLICATION  
 © COPYRIGHT - TE Connectivity ALL RIGHTS RESERVED.

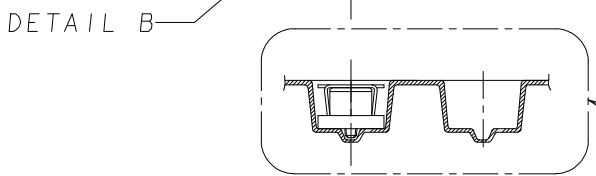
REVISIONS					
P	LTR	DESCRIPTION	DATE	DWN	APVD
R4		ADD NEW P/N PER ECR-19-014765	16SEP2019	AL	HL

LOW HALOGEN

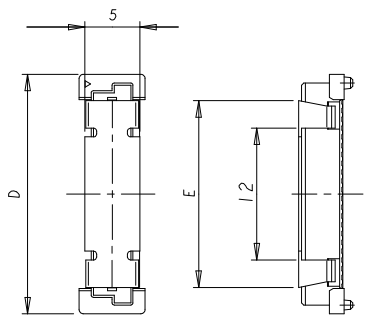
DIRECTION OFF TOP OF REEL



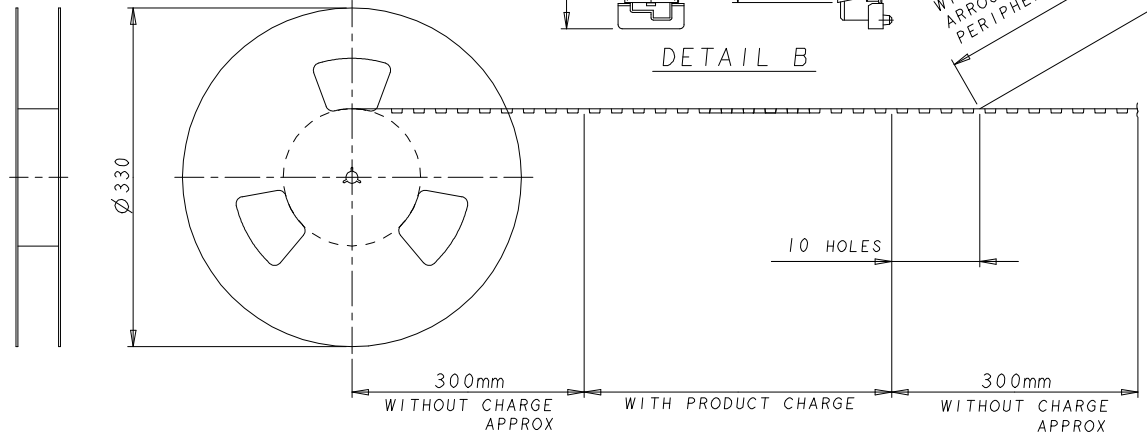
- NOTES :
- ① MATERIAL: HOUSING: LCP,HIGH TEMP THERMOPLASTIC UL 94V-0,NATURAL.  
CONTACT: COPPER ALLOY.
  - ② FINISH: 0.0013 MIN ALL OVER NICKEL  
CONTACT AREA: 0.00038 MIN GOLD  
SOLDERING AREA: 0.002 MIN MATTE TIN.
  - ③ POSITION SERIES: SEE TABLE.
  - ④ CONN STACK HEIGHT COMBINE OF  
PLUG "Y"H VS REC "X"H.  
STACK HEIGHT = Y+X-5
  - ⑤ FINISH: 0.0013 MIN ALL OVER NICKEL  
CONTACT AREA: 0.00038 MIN GOLD  
SOLDERING AREA: 0.002 MIN MATTE TIN.
  - ⑥ CONNECTOR WITH BLACK COLOR AND POLYIMIDE COVER
  - ⑦ FINISH: 0.0013 MIN ALL OVER NICKEL  
CONTACT AREA: GOLD FLASH  
SOLDERING AREA: 0.002 MIN MATTE TIN.



STEEL COVER



WINDING THE COVER TAPE  
AROUND THE OUTER  
PERIPHERY IN A TURN.



FINISH	QTY	F	E	D	C	B	A	POS	PART NO.				
GOLD FLASH -Sn	⑦	700	16	69.8	88	84.4	42.2	160	9-	-8			
				53.8	72	68.4	34.2	120	9-	-5			
				45.8	72	68.4	34.2	100	9-	-4			
	↑	↑	1000	12	17	37.8	56	52.4	26.2	80	9-	-3	
						29.8	44	40.4	20.2	60	9-	-2	
						21.8	32	28.4	14.2	40	9-	-1	
	15Au-Sn	⑤	700	16	85.8	104	100.4	50.2	200	2-	-0		
					77.8	104	100.4	50.2	180	1-	-9		
					70.1	88	84.4	42.2	160	1-	-8		
		↑	↑	1000	12	17	61.8	88	84.4	42.2	140	1-	-6
							53.8	72	68.4	34.2	120	1-	-5
							45.8	72	68.4	34.2	100	1-	-4
08Au-Sn		②	700	16	69.8	88	84.4	42.2	160	-	-8		
					21.8	32	28.4	14.2	40	-	-7		
					61.8	88	84.4	42.2	140	-	-6		
		↑	↑	1000	12	17	53.8	72	68.4	34.2	120	-	-5
							37.8	56	52.4	26.2	80	-	-4
							29.8	44	40.4	20.2	60	-	-2
	↑	↑	1000	12	17	21.8	32	28.4	14.2	40	5177985-1	-1	

THIS DRAWING IS A CONTROLLED DOCUMENT. DWN: SK LEAW \*17MAY2004  
 CHK: ERIC TING

TE Connectivity Ltd.

RECEPTACLE ASSEMBLY 5H TYPE  
 (0.5MM BOSS LENGTH) FOR 0.8FH  
 ON TAPING

108-5390  
 114-5254

SIZE: A2 CAGE CODE: 00779 C=5177985  
 SCALE: 1:1 SHEET: 1 of 4 REV: R4

4

3

2

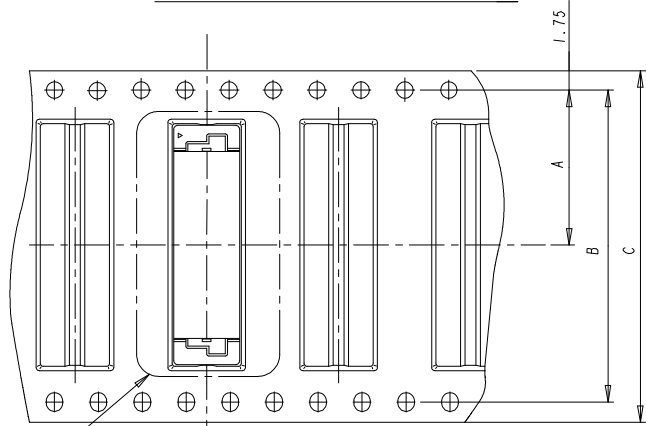
1

THIS DRAWING IS UNPUBLISHED. RELEASED FOR PUBLICATION  
 © COPYRIGHT - TE Connectivity ALL RIGHTS RESERVED.

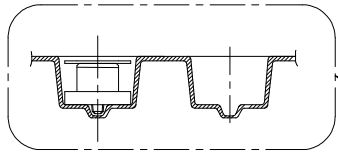
REVISIONS				
P	LTR	DESCRIPTION	DATE	APVD
-	-	SEE SHEET 1	-	-

LOW HALOGEN

DIRECTION OFF TOP OF REEL

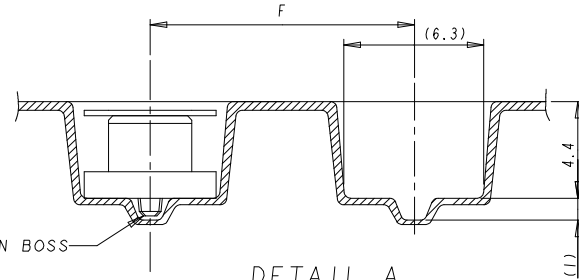


DETAIL B

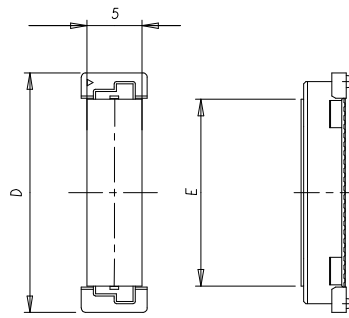


DETAIL A

LOCATION BOSS

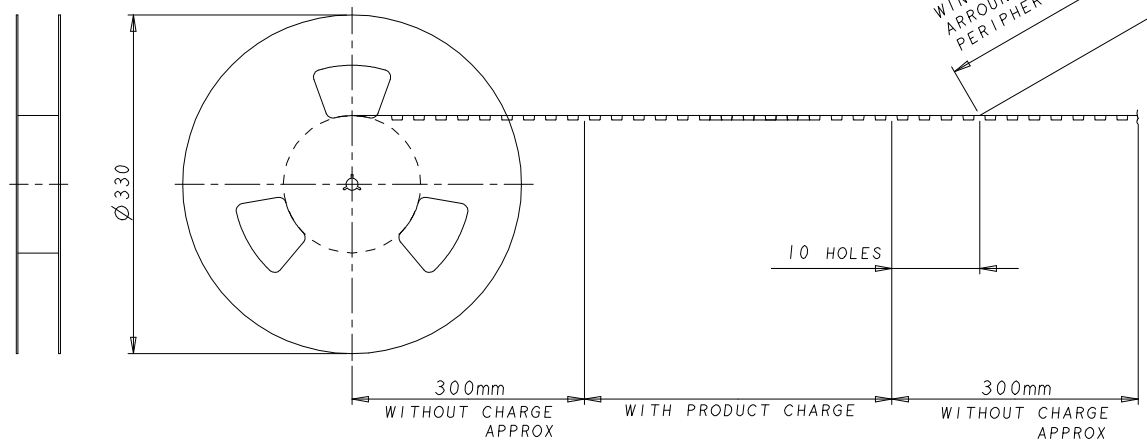


DETAIL A  
(SCALE 4-1)



DETAIL B

POLYIMIDE COVER



WINDING THE COVER TAPE  
AROUND THE OUTER  
PERIPHERY IN A TURN.

FINISH	QTY	F	E	D	C	B	A	POS	PART NO.
	700	16	11	61.8	88	84.4	42.2	140	9-5177985-6

THIS DRAWING IS A CONTROLLED DOCUMENT.		DWN SK LEAW	17MAV2004	<b>TE</b> TE Connectivity Ltd.	
DIMENSIONS: mm		CHK ERIC TING	APVD SF LEONG		
TOLERANCES UNLESS OTHERWISE SPECIFIED:		PRODUCT SPEC		RECEPTACLE ASSEMBLY 5H TYPE (0.5MM BOSS LENGTH) FOR 0.8FH ON TAPING	
0 PLC ± -		108-5390		SIZE CAGE CODE DRAWING NO	
1 PLC ± 0.3		APPLICATION SPEC		RESTRICTED TO	
2 PLC ± 0.25		114-5254		A2 00779 C=5177985	
3 PLC ± 0.2		WEIGHT		SCALE 1:1 SHEET 2 of 4 REV R4	
4 PLC ± -		CUSTOMER DRAWING			
ANGLES ± -					

4

3

2

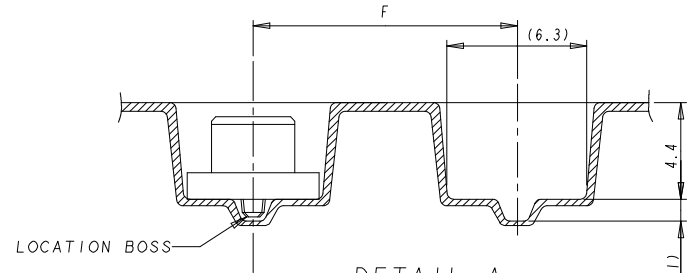
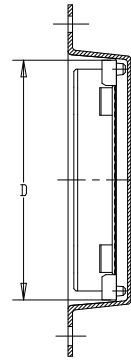
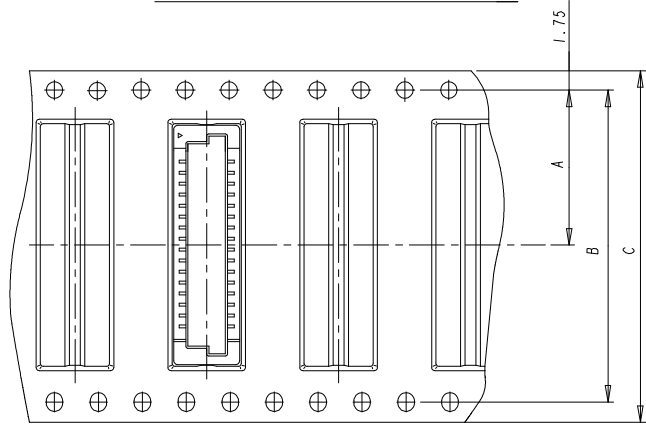
1

THIS DRAWING IS UNPUBLISHED. RELEASED FOR PUBLICATION  
 © COPYRIGHT - TE Connectivity ALL RIGHTS RESERVED.

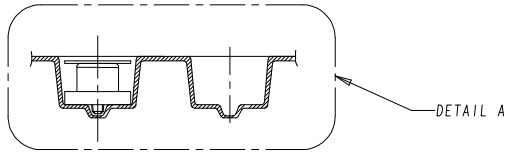
REVISIONS					
P	LTR	DESCRIPTION	DATE	DWN	APVD
-	-	SEE SHEET 1	-	-	-

LOW HALOGEN

DIRECTION OFF TOP OF REEL

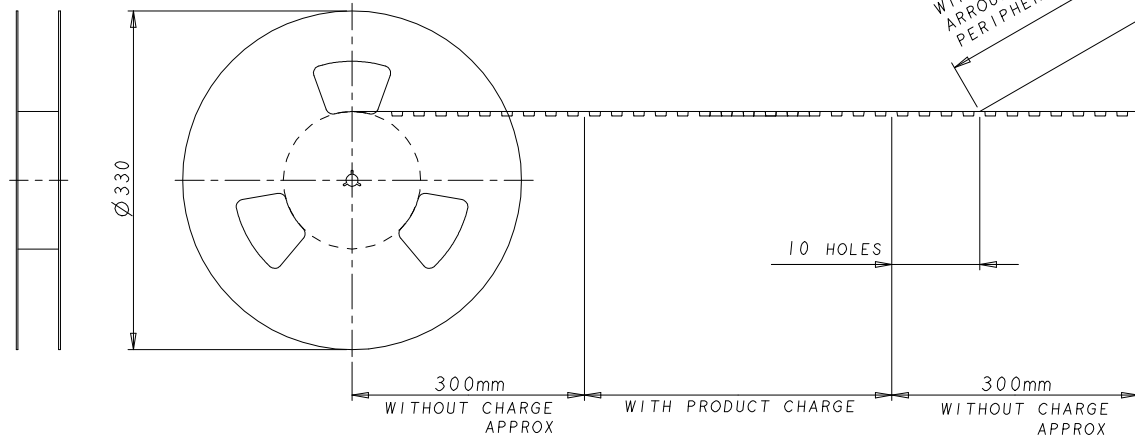


DETAIL A  
(SCALE 4-1)



WITHOUT COVER

WINDING THE COVER TAPE  
 AROUND THE OUTER  
 PERIPHERY IN A TURN.



FINISH	QTY	F	D	C	B	A	POS	PART NO.
△	700	16	21.8	32	28.4	14.2	40	8-5177985-1
△	700	16	53.8	72	68.4	34.2	120	8-5177985-5

THIS DRAWING IS A CONTROLLED DOCUMENT. DW: SK LEAW 17MAV2004  
 CHK: ERIC TING  
 APVD: SF LEONG NAME: ERIC TING

TE Connectivity Ltd.

RECEPTACLE ASSEMBLY 5H TYPE  
 (0.5MM BOSS LENGTH) FOR 0.8FH  
 ON TAPING

PRODUCT SPEC: 108-5390  
 APPLICATION SPEC: 114-5254

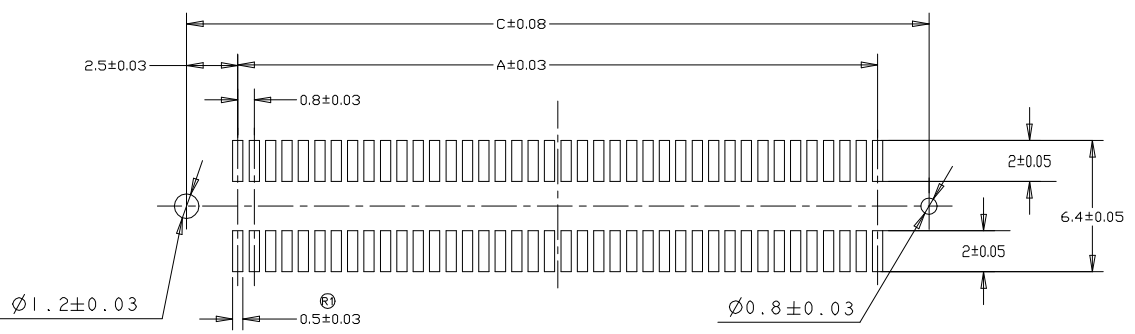
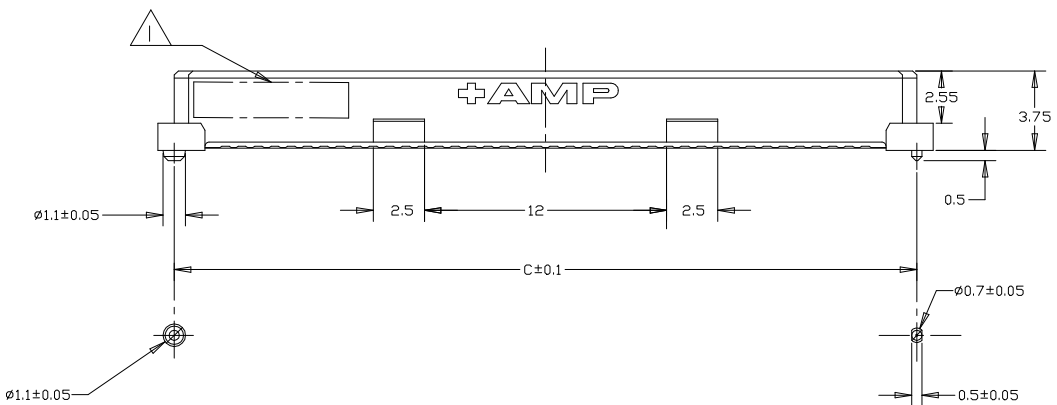
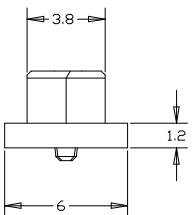
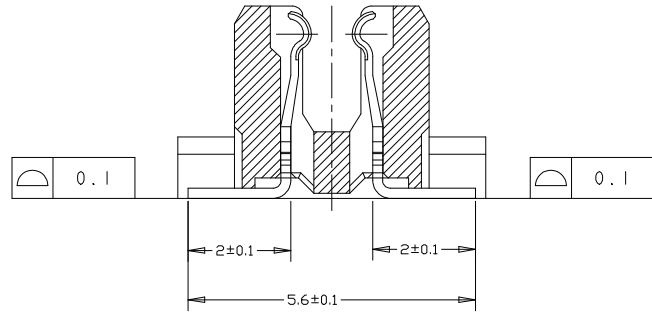
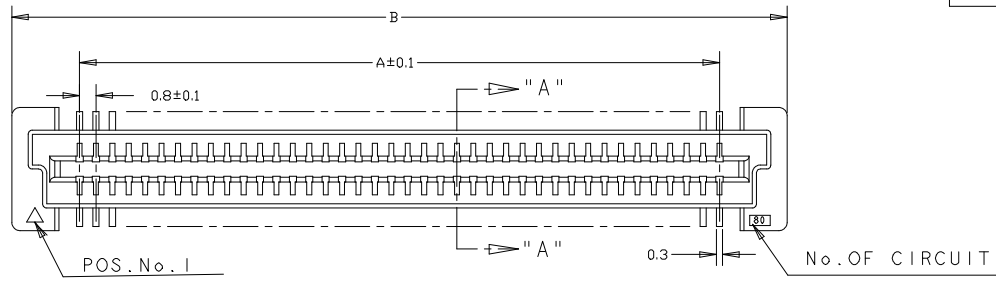
SIZE: A2 CAGE CODE: 00779 DRAWING NO: 5177985 RESTRICTED TO: -  
 WEIGHT: -  
 MATERIAL: - FINISH: -

CUSTOMER DRAWING SCALE: 1:1 SHEET: 3 of 4 REV: R4

5177985

LOW HALOGEN

REVISIONS					
P	LTR	DESCRIPTION	DATE	DWN	APVD
-	-	SEE SHEET 1	-	-	-



RECOMMENDED P.C. BOARD LAYOUT

CONNECTOR ONLY

R4	20.2	21.8	15.2	40	8-	-1
	52.2	53.8	47.2	120	8-	-5
R4	68.2	69.8	63.2	160	9-	-8
	52.2	53.8	47.2	120	9-	-5
R4	44.2	45.8	39.2	100	9-	-4
	36.2	37.8	31.2	80	9-	-3
R4	28.2	29.8	23.2	60	9-	-2
	20.2	21.8	15.2	40	9-	-1
R4	84.2	85.8	79.2	200	2-	-0
	76.2	77.8	71.2	180	1-	-9
R4	68.2	69.8	63.2	160	1-	-8
	60.2	61.8	55.2	140	1-	-6
R4	52.2	53.8	47.2	120	1-	-5
	44.2	45.8	39.2	100	1-	-4
R4	36.2	37.8	31.2	80	1-	-3
	28.2	29.8	23.2	60	1-	-2
R4	20.2	21.8	15.2	40	1-	-1
	84.2	85.8	79.2	200	1-	-0
R4	76.2	77.8	71.2	180		-9
	68.2	69.8	63.2	160		-8
R4	20.2	21.8	15.2	40		-7
	60.2	61.8	55.2	140		-6
R4	52.2	53.8	47.2	120		-5
	44.2	45.8	39.2	100		-4
R4	36.2	37.8	31.2	80		-3
	28.2	29.8	23.2	60		-2
R4	20.2	21.8	15.2	40		-1
	C	B	A	POS	PART NO.	

THIS DRAWING IS A CONTROLLED DOCUMENT. DWN: SK LEAW 17MAY2004  
 CHK: ERIC TING

TE Connectivity Ltd.

RECEPTACLE ASSEMBLY 5H TYPE (0.5MM BOSS LENGTH) FOR 0.8FH ON TAPING

108-5390  
 114-5254

A2 00779 C=5177985

CUSTOMER DRAWING SCALE 1:1 SHEET 4 of 4 REV R4

## X-ON Electronics

Largest Supplier of Electrical and Electronic Components

*Click to view similar products for [Board to Board & Mezzanine Connectors](#) category:*

*Click to view products by [TE Connectivity](#) manufacturer:*

Other Similar products are found below :

[10135583-642402LF](#) [89885-310LF](#) [589158040000018](#) [6-1393048-0](#) [68683-613](#) [MDF7-12DP-2.54DSA](#) [MDF7-18P-2.54DSA\(01\)](#) [MDF7-20DP-2.54DSA](#) [MDF7-26D-2.54DSA\(55\)](#) [MDF7-3P-2.54DSA\(01\)](#) [MDF7B-3P-2.54DSA\(55\)](#) [MDF7C-11P-2.54DSA\(55\)](#) [MDF7C-18P-2.54DSA\(55\)](#) [MDF7C-5P-2.54DSA\(01\)](#) [MDF7P-5P-2.54DSA\(55\)](#) [75234-0516](#) [FCN-230C068-11](#) [FCN-268F012-G/BD](#) [FCN-268F036-G/BD](#) [FCN-268M012-G/0D](#) [FCN-268M024-G/1D](#) [FCN-360C008-C](#) [FCN-360C040-C](#) [FCN-723J004/1](#) [MIS-048-01-F-D-DP-K](#) [832-10-034-10-001000](#) [93696-325LF](#) [11828-1FA](#) [AXK630345P](#) [18097-0013](#) [ICA-328STT](#) [2007042-2](#) [304400-2](#) [FCN-214Q030-G/0](#) [FCN-215Q040-G/0](#) [FCN-230C068-ESA](#) [FCN-234P048-G/0](#) [FCN-235D050-G/C](#) [FCN-360A3](#) [FCN-360C040-B](#) [210-93-314-41-105000](#) [2-22603-0](#) [379-064-521-202](#) [MDF7-12P-2.54DSA\(01\)](#) [MDF7-16P-2.54DS\(56\)](#) [MDF7-40DP-2.54DSA\(55\)](#) [MDF7-8P-2.54DSA\(55\)](#) [MDF7B-16P-2.54DSA\(55\)](#) [AXG720047](#) [5031084030](#)