



4

3

2

1

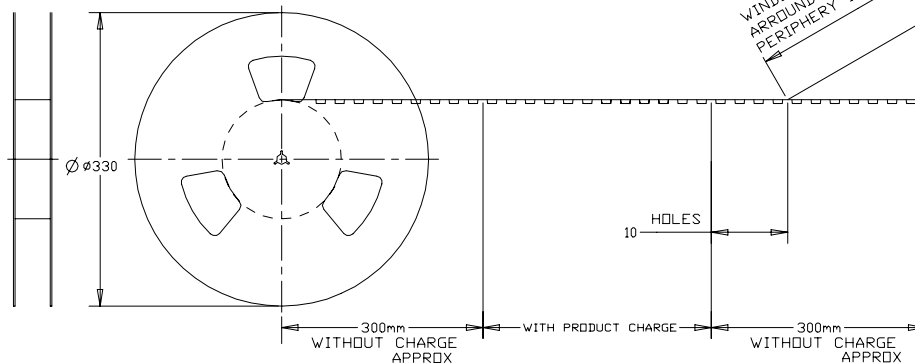
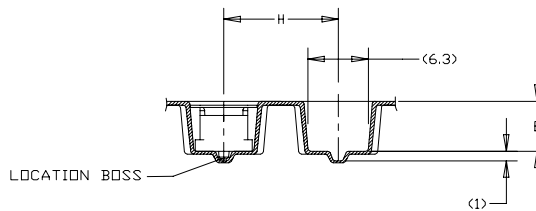
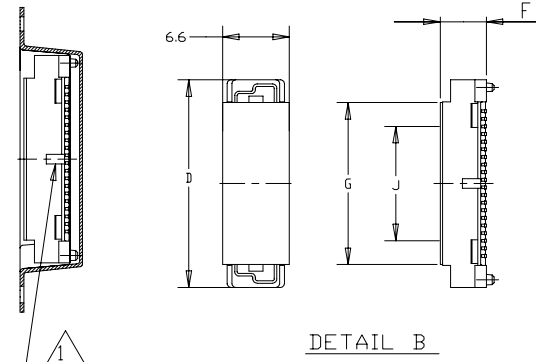
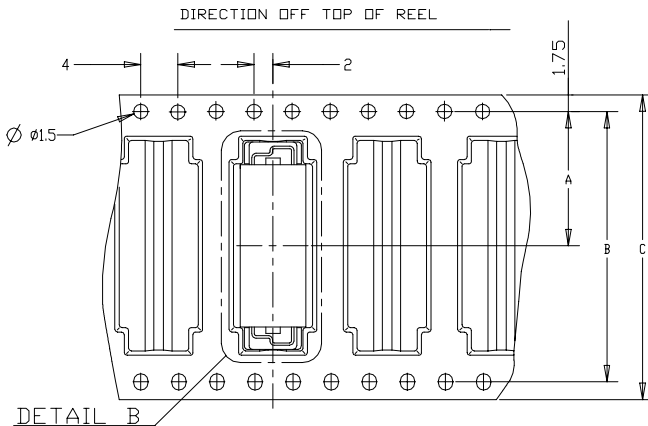
© - TE Connectivity. All Rights Reserved.

LOW HALOGEN

Notes:

6 0.0002 MIN GOLD PLATING  
(7.8u INCHES GOLD PLATING)

| REVISIONS |     |             |      |     |      |
|-----------|-----|-------------|------|-----|------|
| P         | LTR | DESCRIPTION | DATE | DWN | APVD |
| -         | -   | SEE SHEET 1 | -    | -   | -    |



WINDING THE COVER TAPE  
AROUND THE OUTER  
PERIPHERY IN A TURN.

POLYIMIDE COVER

|         |     |             |     |    |    |    |      |      |      |    |      |      |     |             |                   |
|---------|-----|-------------|-----|----|----|----|------|------|------|----|------|------|-----|-------------|-------------------|
| 800     | 6H  | 2.6         | 5.6 | 12 | 12 | 17 | 5.85 | 6.25 | 37.8 | 56 | 52.4 | 26.2 | 80  | 9-5177986-3 |                   |
| 650     | 5H  | 1.2         | 4.6 | 12 | 16 | 17 | 4.85 | 5.25 | 61.8 | 88 | 84.4 | 42.2 | 140 | 9-5177986-6 |                   |
| REMARKS | QTY | WEIGHT TYPE | Y   | X  | J  | H  | G    | F    | E    | D  | C    | B    | A   | POS         | SALEABLE PART NO. |

1471-9 (1/15)

|   |  |                                     |                        |   |  |
|---|--|-------------------------------------|------------------------|---|--|
| THIS DRAWING IS A CONTROLLED DOCUMENT.  |  | DWN: FLORENCE TAN<br>CHK: ERIC TING | 30AUG2004<br>30MAY2012 | TE Connectivity Ltd.  |  |
| DIMENSIONS: mm  |  | APVD: SF LEONG<br>30MAY2012         |                        | NAME: PLUG ASSEMBLY, FH 0.8<br>ON TAPING (EMBOSS) 0.5 BOSS LENGTH |  |
| TOLERANCES UNLESS OTHERWISE SPECIFIED:<br>0 PLC ± -<br>1 PLC ± 0.2<br>2 PLC ± 0.15<br>3 PLC ± 0.1<br>4 PLC ± -<br>ANGLES ± 3' |  | PRODUCT SPEC: 108-5390              |                        | SIZE: A2  |  |
| MATERIAL: SEE NOTE  |  | FINISH: SEE NOTE                    |                        | CAGE CODE: 00779  |  |
|   |  | CUSTOMER DRAWING                    |                        | DRAWING NO: C=5177986   |  |
|   |  | WEIGHT: -                           |                        | RESTRICTED TO: -  |  |
|   |  | SCALE: 1:1                          |                        | SHEET: 2 of 4   |  |
|   |  |                                     |                        | REV: F7   |  |

5177986

4

3

2

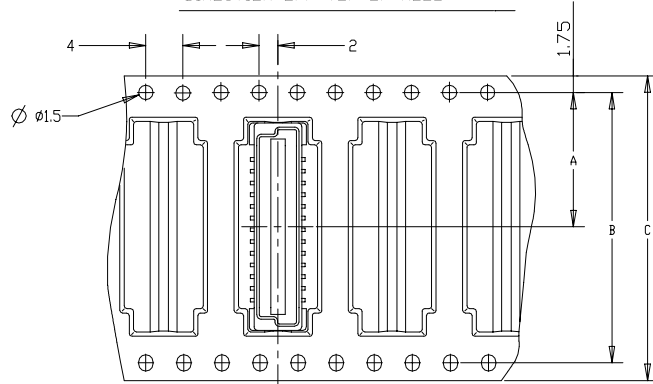
1

© - TE Connectivity. All Rights Reserved.

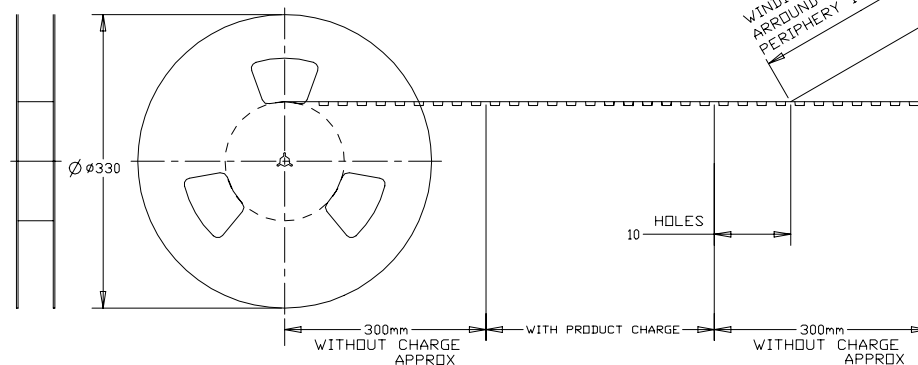
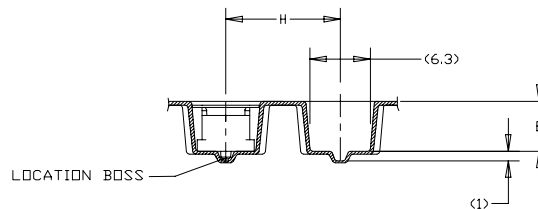
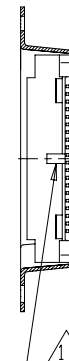
LOW HALOGEN

Notes:  
△ 0.00038 MIN GOLD PLATING  
(15μ INCHES GOLD PLATING)

DIRECTION OFF TOP OF REEL



| REVISIONS |     |             |      |     |      |
|-----------|-----|-------------|------|-----|------|
| P         | LTR | DESCRIPTION | DATE | DWN | APVD |
| -         | -   | SEE SHEET 1 | -    | -   | -    |



WINDING THE COVER TAPE AROUND THE OUTER PERIPHERY IN A TURN.

WITHOUT COVER

| △       | 650 | 5H          | 1.2 | 4.6 | 16 | 5.25 | 88 | 84.4 | 42.2 | 160 | 8-5177986-8       |
|---------|-----|-------------|-----|-----|----|------|----|------|------|-----|-------------------|
|         | 650 | 5H          | 1.2 | 4.6 | 16 | 5.25 | 72 | 68.4 | 34.2 | 120 | 8-5177986-5       |
| REMARKS | QTY | WEIGHT TYPE | Y   | X   | H  | E    | C  | B    | A    | POS | SALEABLE PART NO. |

1471-9 (1/15)

THIS DRAWING IS A CONTROLLED DOCUMENT.

|  |                        |  |                       |
|--|------------------------|--|-----------------------|
| DWN: FLORENCE TAN<br>CHK: ERIC TING    | 30AUG2004<br>30MAY2012 | <b>STE</b> TE Connectivity Ltd.                                |                       |
| APVD: SF LEONG                         | 30MAY2012              | NAME: PLUG ASSEMBLY, FH 0.8 ON TAPING (EMBOSS) 0.5 BOSS LENGTH |                       |
| TOLERANCES UNLESS OTHERWISE SPECIFIED: |                        | PRODUCT SPEC: 108-5390   | RESTRICTED TO: -      |
| DIMENSIONS: mm                         |                        | APPLICATION SPEC: -  | SIZE: A2              |
| MATERIAL: SEE NOTE                     |                        | WEIGHT: -  | CAGE CODE: 00779      |
| FINISH: SEE NOTE                       |                        | CUSTOMER DRAWING   | DRAWING NO: C=5177986 |
| ANGLES: ± 3°                           |                        | SCALE: 1:1   | SHEET: 3 of 4         |
| FINISH: SEE NOTE                       |                        | REV: F7  |                       |

5177986

4

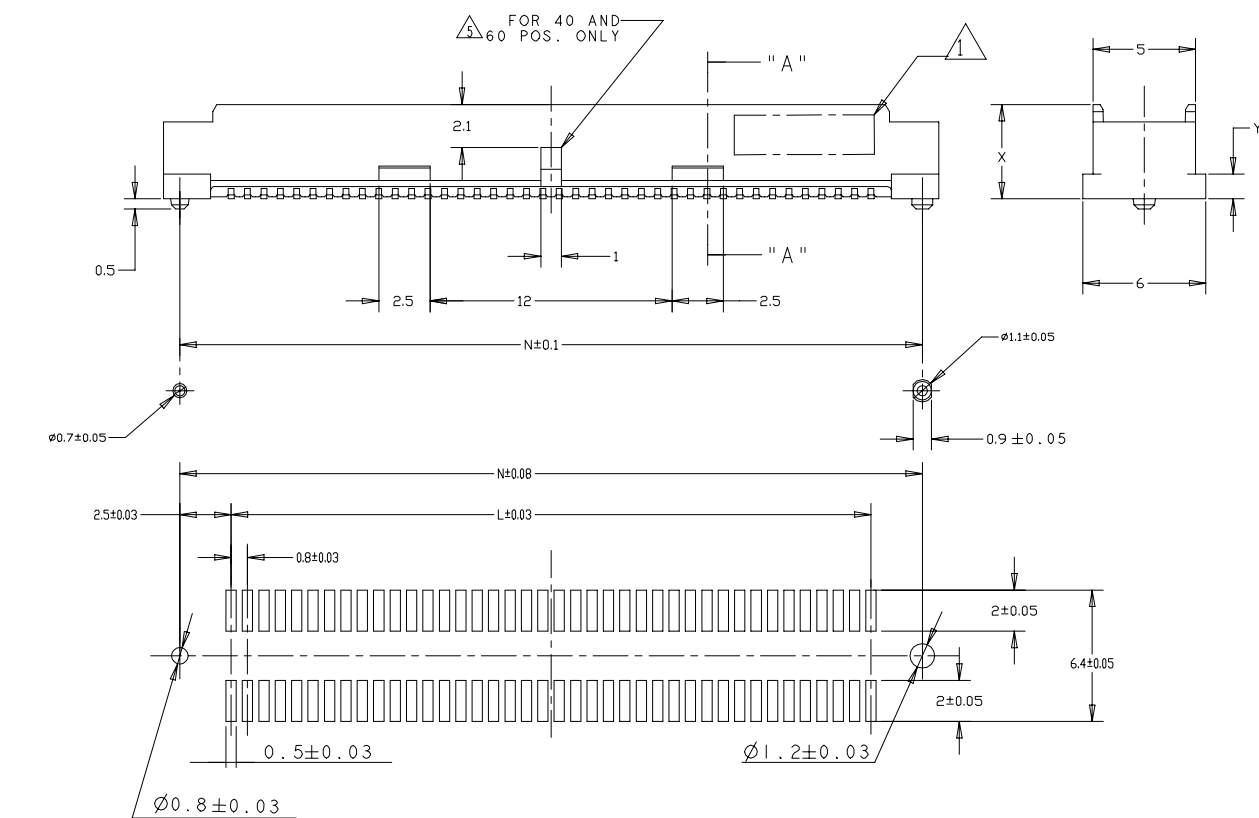
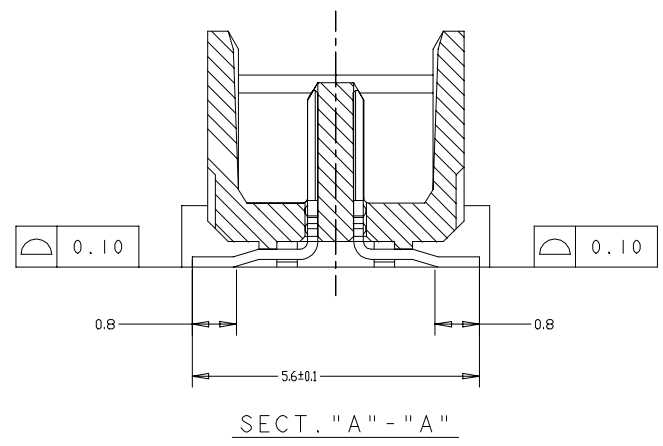
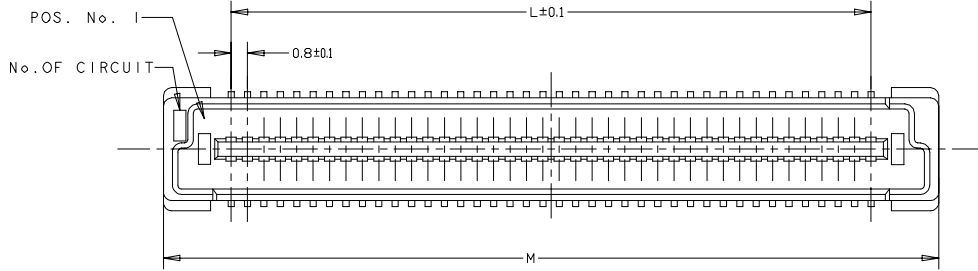
3

2

1

© - TE Connectivity. All Rights Reserved.

| REVISIONS |     |             |      |     |      |
|-----------|-----|-------------|------|-----|------|
| P         | LTR | DESCRIPTION | DATE | DWN | APVD |
| -         | -   | SEE SHEET 1 | -    | -   | -    |



RECOMMENDED P.C. BOARD LAYOUT

LOW HALOGEN

CONNECTOR ONLY

|      |      |      |      |
|------|------|------|------|
| 84.2 | 85.8 | 79.2 | 200  |
| 76.2 | 77.8 | 71.2 | 180  |
| 68.2 | 69.8 | 63.2 | 160  |
| 60.2 | 61.8 | 55.2 | 140  |
| 52.2 | 53.8 | 47.2 | 120  |
| 44.2 | 45.8 | 39.2 | 100  |
| 36.2 | 37.8 | 31.2 | 80   |
| 28.2 | 29.8 | 23.2 | 60   |
| 20.2 | 21.8 | 15.2 | 40   |
| N    | M    | L    | POS. |

THIS DRAWING IS A CONTROLLED DOCUMENT.

DWN: FLORENCE TAN 30AUG2004  
 CHK: ERIC TING 30MAY2012

APVD: SF LEONG 30MAY2012

NAME: PLUG ASSEMBLY, FH 0.8 ON TAPING (EMBOSS) 0.5 BOSS LENGTH

PRODUCT SPEC: 108-5390

APPLICATION SPEC: -

SIZE: A2 CAGE CODE: 00779 DRAWING NO: 5177986

RESTRICTED TO: -

WEIGHT: -

MATERIAL: SEE NOTE

FINISH: SEE NOTE

CUSTOMER DRAWING

SCALE: 1:1 SHEET: 4 of 4 REV: F7

## X-ON Electronics

Largest Supplier of Electrical and Electronic Components

*Click to view similar products for [Board to Board & Mezzanine Connectors](#) category:*

*Click to view products by [TE Connectivity](#) manufacturer:*

Other Similar products are found below :

[589158040000018](#) [MDF7C-18P-2.54DSA\(55\)](#) [FCN-230C068-11](#) [FCN-268F012-G/BD](#) [FCN-268F036-G/BD](#) [FCN-268M012-G/0D](#) [FCN-268M024-G/1D](#) [FCN-723J004/1](#) [MIS-048-01-F-D-DP-K](#) [832-10-034-10-001000](#) [FX4C-80S-1.27DSA](#) [FCN-214Q030-G/0](#) [FCN-234P048-G/0](#) [FCN-235D050-G/C](#) [210-93-314-41-105000](#) [2-22603-0](#) [MDF7-40DP-2.54DSA\(55\)](#) [AXG720047](#) [5031084030](#) [MIT-114-03-F-D-K](#) [55323-1519](#) [DF33-2P-3.3DSA\(24\)](#) [YFT-20-05-H-03-SB-K](#) [503308-3040](#) [026-6203-PDB](#) [027-6203-PDB](#) [069159702701000](#) [10123981-102LF](#) [101A10019X](#) [55650-0588-C](#) [68682-310LF](#) [68684-306](#) [75140-7012](#) [87471-650](#) [YTW-30-07-H-Q-410-140](#) [194261-1](#) [FCN-268F024-G0D](#) [10124054-515LF](#) [68685-603](#) [8-1616154-3](#) [MIS-019-01-F-D](#) [FCN-268M024-G/3D](#) [20021832-06016C1LF](#) [KX15-20KLDL-E1000E](#) [MDF7-16DP-2.54DSA\(55\)](#) [AXE810124](#) [FCN-214J100-G/0](#) [FCN-230C068-E/S](#) [AXE812124](#) [AXE816124](#)