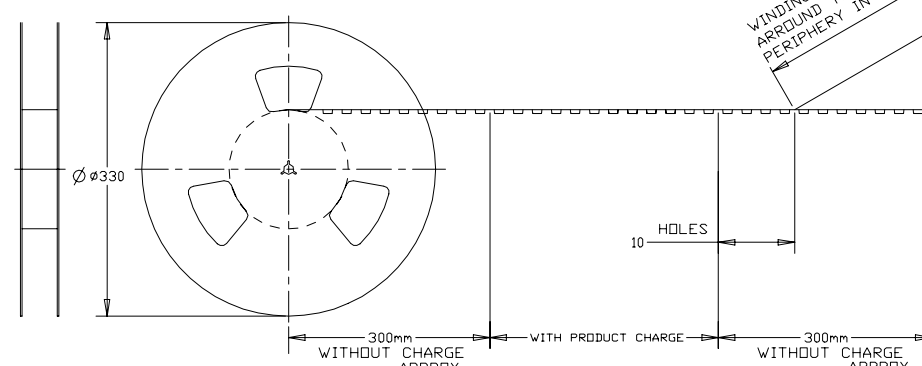
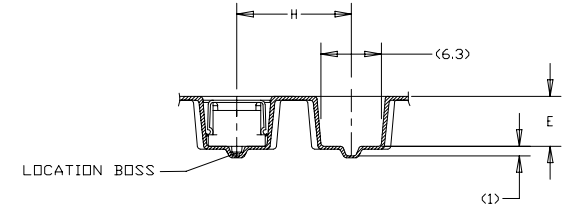
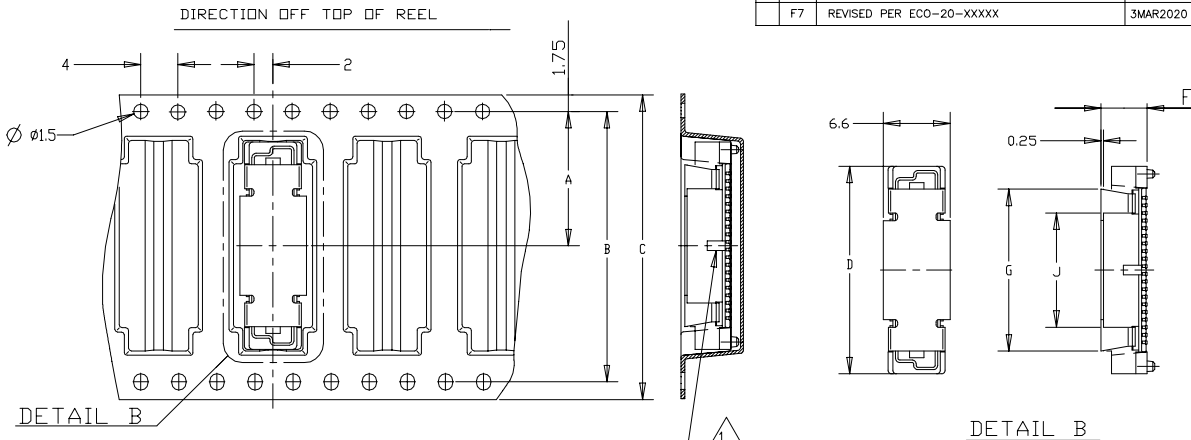


Notes:

- 1. CUTOFF FEATURE AVAILABLE ONLY ON 5H ASSY P/N -1 (40P) AND -2 (60P).
- 2. 0.00038 MIN GOLD PLATING (15μ INCHES GOLD PLATING)
- 3. CONNECTOR DIMENSIONS REFERENCED FROM DRAWING WHICH CONN. P/Ns BASED
- 4. CONNECTOR WITH BLACK HOUSING
- 5. MATERIAL: HOUSING: L.C.P. UL 94-V0. COLOR: NATURAL EXCEPT FOR NOTE 4 CONTACT: BRASS

LOW HALOGEN

REVISIONS					
P	LTR	DESCRIPTION	DATE	DWN	APVD
F7		REVISED PER ECO-20-XXXX	3MAR2020	A.L	H.L



STEEL COVER

WINDING THE COVER TAPE AROUND THE OUTER PERIPHERY IN A TURN.

REMARKS	QTY	WEIGHT	0.00076 MIN GOLD PLATING (30μ INCHES GOLD PLATING)										0.0002 MIN GOLD PLATING (7.8μ INCHES GOLD PLATING)										POS	PART NO.		
			Y	X	J	H	G	F	E	D	C	B	A	Y	X	J	H	G	F	E	D	C			B	A
			16									16											7-	-6		
				3.6	6.6			6.85	7.25				2.6	5.6			5.85	6.25					7-	-5		
																							7-	-4		
																							7-	-3		
																							7-	-2		
																							6-	-8		
																							6-	-6		
																							6-	-5		
																							6-	-4		
																							6-	-3		
																							6-	-2		
																							5-	-0		
																							5-	-8		
																							5-	-6		
																							5-	-5		
																							5-	-4		
																							5-	-3		
																							5-	-2		
																							5-	-1		
																							4-	-0		
																							4-	-9		
																							4-	-8		
																							4-	-6		
																							4-	-5		
																							4-	-4		
																							4-	-3		
																							4-	-2		
																							3-	-9		
																							3-	-8		
																							3-	-6		
																							3-	-5		
																							3-	-4		
																							3-	-3		
																							3-	-2		
																							3-	-1		
																							2-	-9		
																							2-	-8		
																							2-	-6		
																							2-	-5		
																							2-	-4		
																							2-	-3		
																							2-	-2		
																							2-	-1		
																							1-	-6		
																							1-	-5		
																							1-	-4		
																							1-	-3		
																							1-	-2		
																							1-	-1		
																							1-	0		
																							1-	-8		
																							1-	-6		
																							1-	-5		
																							1-	-4		
																							1-	-3		
																							1-	-2		
																							1-	-1		
																							1-	0		
																							1-	-8		
																							1-	-6		
																							1-	-5		
																							1-	-4		
																							1-	-3		
																							1-	-2		
																							1-	-1		
																							1-	0		
																							0	-8		
																							0	-6		
																							0	-5		
																							0	-4		
																							0	-3		
																							0	-2		
																							0	-1		
																							0	0		
																							0	-8		

THIS DRAWING IS A CONTROLLED DOCUMENT.		DW: FLORENCE TAN CHK: ERIC TING APVD: SF LEONG		30AUG2004 30MAY2012 30MAY2012	
DIMENSIONS: mm		TOLERANCES UNLESS OTHERWISE SPECIFIED:		NAME: PLUG ASSEMBLY, FH 0.8 ON TAPING (EMBOSS) 0.5 BOSS LENGTH	
0 PLC ±		1 PLC ± 0.2		SIZE: A2	
1 PLC ± 0.15		2 PLC ± 0.1		CAGE CODE: 00779	
2 PLC ± 0.1		3 PLC ± 0.1		DRAWING NO: 5177986	
3 PLC ± 0.1		4 PLC ± 0.1		RESTRICTED TO: -	
4 PLC ± 0.1		ANGLES FINISH ± 3'		SCALE: 1:1	
MATERIAL: SEE NOTE		FINISH: SEE NOTE		SHEET: 1 of 4	
CUSTOMER DRAWING		WEIGHT: -		REV: F7	

4

3

2

1

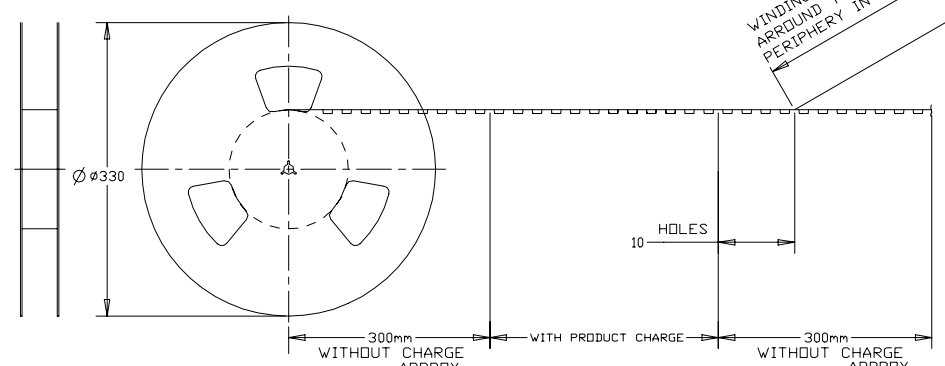
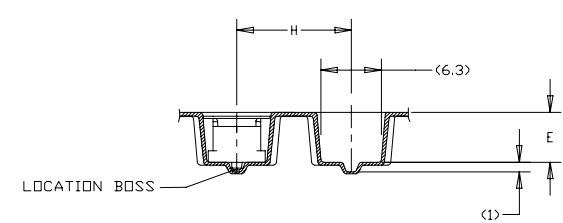
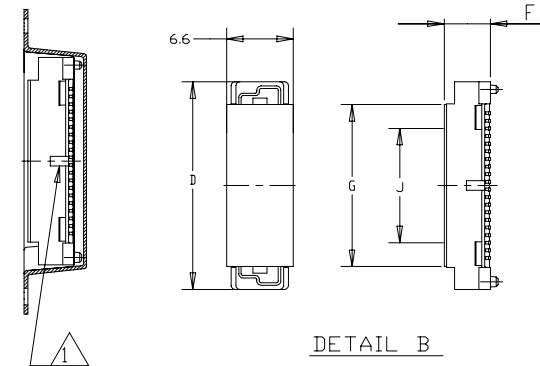
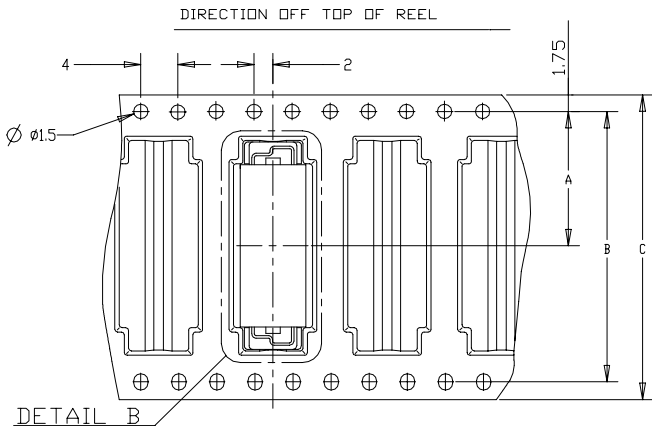
© - TE Connectivity. All Rights Reserved.

LOW HALOGEN

Notes:

6 0.0002 MIN GOLD PLATING
(7.8u INCHES GOLD PLATING)

REVISIONS					
P	LTR	DESCRIPTION	DATE	DWN	APVD
-	-	SEE SHEET 1	-	-	-



WINDING THE COVER TAPE AROUND THE OUTER PERIPHERY IN A TURN.

POLYIMIDE COVER

800	6H	2.6	5.6	12	12	17	5.85	6.25	37.8	56	52.4	26.2	80	9-5177986-3	
650	5H	1.2	4.6	12	16	17	4.85	5.25	61.8	88	84.4	42.2	140	9-5177986-6	
REMARKS	QTY	WEIGHT TYPE	Y	X	J	H	G	F	E	D	C	B	A	POS	SALEABLE PART NO.

1471-9 (1/15)

THIS DRAWING IS A CONTROLLED DOCUMENT.		DWN: FLORENCE TAN 30AUG2004 CHK: ERIC TING 30MAY2012		TE Connectivity Ltd.	
DIMENSIONS: mm		TOLERANCES UNLESS OTHERWISE SPECIFIED:		NAME: SF LEONG 30MAY2012	
		0 PLC ± - 1 PLC ± 0.2 2 PLC ± 0.15 3 PLC ± 0.1 4 PLC ± - ANGLES ± 3° FINISH		PRODUCT SPEC: 108-5390 APPLICATION SPEC: - WEIGHT: - CUSTOMER DRAWING	
MATERIAL: SEE NOTE		FINISH: SEE NOTE		SIZE: A2 CAGE CODE: 00779 DRAWING NO: C=5177986 RESTRICTED TO: - SCALE: 1:1 SHEET 2 of 4 REV F7	

5177986

4

3

2

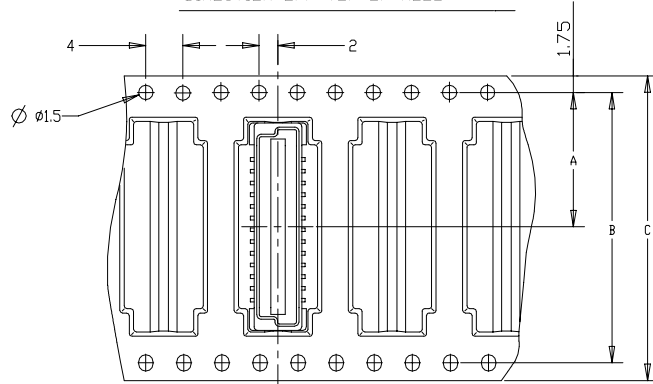
1

© - TE Connectivity. All Rights Reserved.

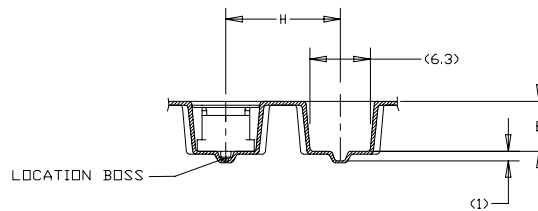
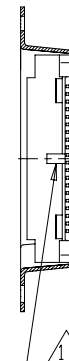
LOW HALOGEN

Notes:
△ 0.00038 MIN GOLD PLATING
(15μ INCHES GOLD PLATING)

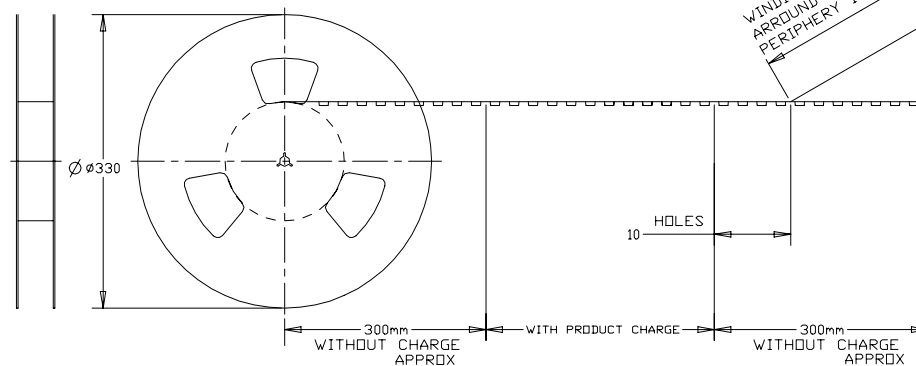
DIRECTION OFF TOP OF REEL



REVISIONS					
P	LTR	DESCRIPTION	DATE	DWN	APVD
-	-	SEE SHEET 1	-	-	-



WINDING THE COVER TAPE
AROUND THE OUTER
PERIPHERY IN A TURN.



WITHOUT COVER

△	650	5H	1.2	4.6	16	5.25	88	84.4	42.2	160	8-5177986-8
	650	5H	1.2	4.6	16	5.25	72	68.4	34.2	120	8-5177986-5
REMARKS	QTY	WEIGHT TYPE	Y	X	H	E	C	B	A	POS	SALEABLE PART NO.

1471-9 (1/15)

THIS DRAWING IS A CONTROLLED DOCUMENT.

DWN: FLORENCE TAN CHK: ERIC TING	30AUG2004 30MAY2012	STE TE Connectivity Ltd.																
DIMENSIONS: mm		TOLERANCES UNLESS OTHERWISE SPECIFIED:																
<table border="1"> <tr><td>0 PLC</td><td>±</td><td>-</td></tr> <tr><td>1 PLC</td><td>±</td><td>0.2</td></tr> <tr><td>2 PLC</td><td>±</td><td>0.15</td></tr> <tr><td>3 PLC</td><td>±</td><td>0.1</td></tr> <tr><td>4 PLC</td><td>±</td><td>-</td></tr> </table>		0 PLC	±	-	1 PLC	±	0.2	2 PLC	±	0.15	3 PLC	±	0.1	4 PLC	±	-	APVD: SF LEONG 30MAY2012 NAME: PLUG ASSEMBLY, FH 0.8 ON TAPING (EMBOSS) 0.5 BOSS LENGTH	
0 PLC	±	-																
1 PLC	±	0.2																
2 PLC	±	0.15																
3 PLC	±	0.1																
4 PLC	±	-																
MATERIAL: SEE NOTE		FINISH: SEE NOTE																
WEIGHT: -		SIZE: A2 CAGE CODE: 00779 DRAWING NO: C=5177986																
CUSTOMER DRAWING		RESTRICTED TO: -																
SCALE: 1:1		SHEET: 3 of 4																
		REV: F7																

5177986

4

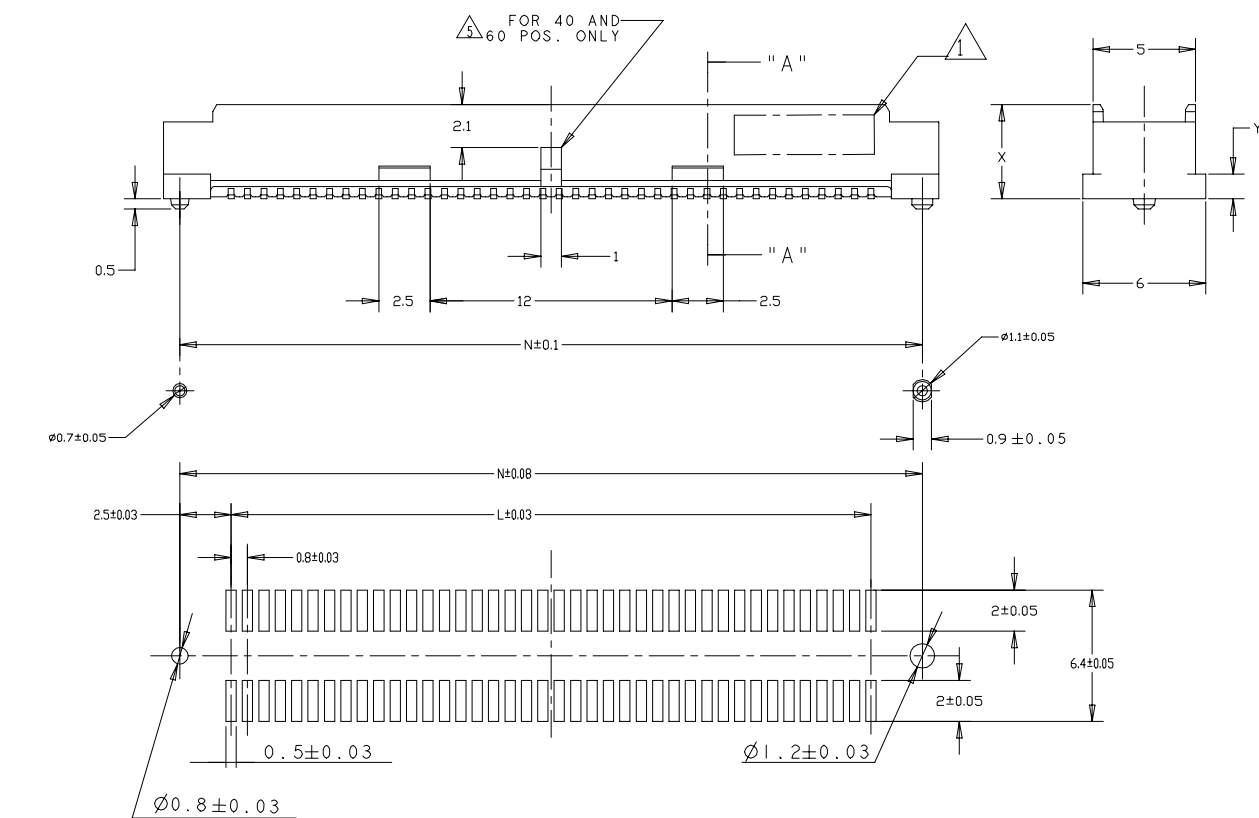
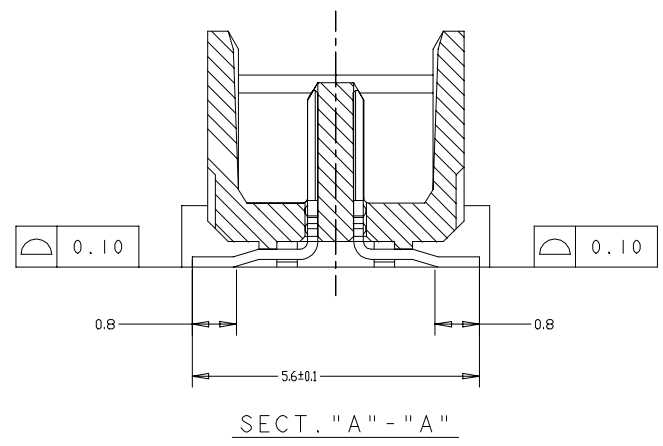
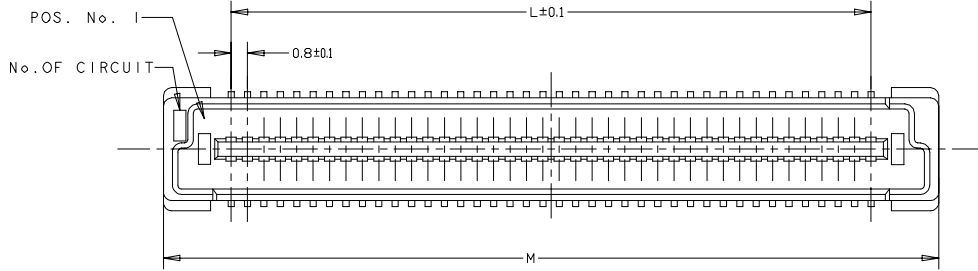
3

2

1

© - TE Connectivity. All Rights Reserved.

REVISIONS					
P	LTR	DESCRIPTION	DATE	DWN	APVD
-	-	SEE SHEET 1	-	-	-



RECOMMENDED P.C. BOARD LAYOUT

LOW HALOGEN

CONNECTOR ONLY

84.2	85.8	79.2	200
76.2	77.8	71.2	180
68.2	69.8	63.2	160
60.2	61.8	55.2	140
52.2	53.8	47.2	120
44.2	45.8	39.2	100
36.2	37.8	31.2	80
28.2	29.8	23.2	60
20.2	21.8	15.2	40
N	M	L	POS.

THIS DRAWING IS A CONTROLLED DOCUMENT.

DWN: FLORENCE TAN 30AUG2004
 CHK: ERIC TING 30MAY2012

APVD: SF LEONG 30MAY2012

NAME: PLUG ASSEMBLY, FH 0.8 ON TAPING (EMBOSS) 0.5 BOSS LENGTH

PRODUCT SPEC: 108-5390

APPLICATION SPEC: -

SIZE: A2 CAGE CODE: 00779 DRAWING NO: 5177986

RESTRICTED TO: -

WEIGHT: -

MATERIAL: SEE NOTE

FINISH: SEE NOTE

CUSTOMER DRAWING

SCALE: 1:1 SHEET: 4 of 4 REV: F7

X-ON Electronics

Largest Supplier of Electrical and Electronic Components

Click to view similar products for [Board to Board & Mezzanine Connectors](#) category:

Click to view products by [TE Connectivity](#) manufacturer:

Other Similar products are found below :

[589158040000018](#) [MDF7C-18P-2.54DSA\(55\)](#) [FCN-230C068-11](#) [FCN-268F012-G/BD](#) [FCN-268F036-G/BD](#) [FCN-268M012-G/0D](#) [FCN-268M024-G/1D](#) [FCN-723J004/1](#) [MIS-048-01-F-D-DP-K](#) [832-10-034-10-001000](#) [FX4C-80S-1.27DSA](#) [FCN-214Q030-G/0](#) [FCN-234P048-G/0](#) [FCN-235D050-G/C](#) [210-93-314-41-105000](#) [2-22603-0](#) [MDF7-40DP-2.54DSA\(55\)](#) [AXG720047](#) [5031084030](#) [MIT-114-03-F-D-K](#) [55323-1519](#) [DF33-2P-3.3DSA\(24\)](#) [YFT-20-05-H-03-SB-K](#) [503308-3040](#) [026-6203-PDB](#) [027-6203-PDB](#) [069159702701000](#) [10123981-102LF](#) [101A10019X](#) [55650-0588-C](#) [68682-310LF](#) [68684-306](#) [75140-7012](#) [87471-650](#) [194261-1](#) [FCN-268F024-G0D](#) [10124054-515LF](#) [68685-603](#) [8-1616154-3](#) [MIS-019-01-F-D](#) [FCN-268M024-G/3D](#) [20021832-06016C1LF](#) [KX15-20KLDL-E1000E](#) [MDF7-16DP-2.54DSA\(55\)](#) [AXE810124](#) [FCN-214J100-G/0](#) [FCN-230C068-E/S](#) [AXE812124](#) [AXE816124](#) [AXE720127](#)