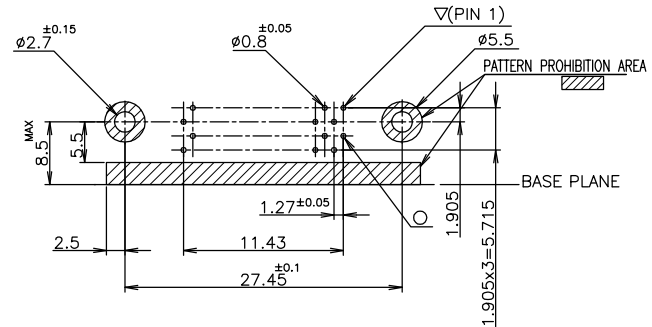
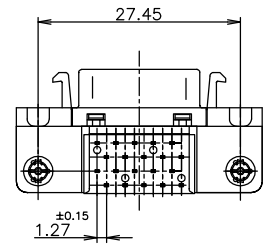
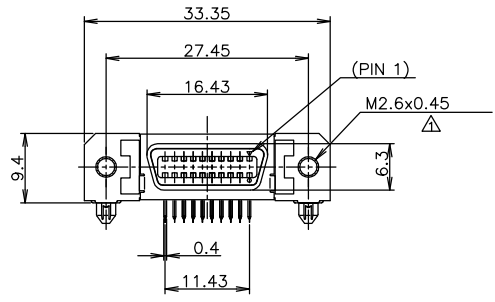
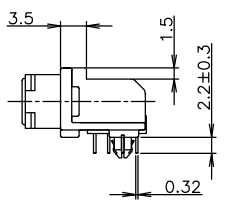
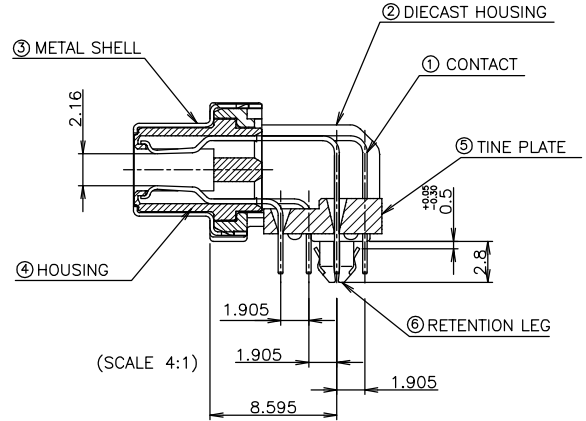
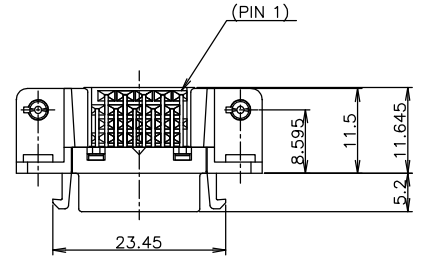


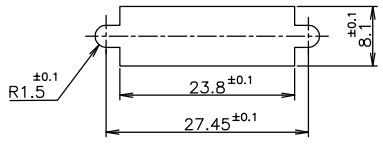
D
C
B
A

LOC	DIST	REVISIONS					
J		P	LTR	DESCRIPTION	DATE	OWN	APVD
		A	REVISED	ECR-05-007904	29JUL05	C.Z	S.Y

ITEM	MATERIAL	FINISH
①	COPPER ALLOY	NICKEL UNDER PLATE ALL OVER CONTACT AREA ; Au(0.0003) SOLDER TINE AREA ; TIN PLATE
②	ZINC	NICKEL PLATING
③	STEEL t0.25	NICKEL PLATE OVER COPPER UNDERPLATE
④	THERMO-PLASTIC	COLOR; BLACK
⑤		
⑥	COPPER ALLOY	TIN PLATE OVER NICKEL UNDERPLATE



RECOMMENDED PC BOARD MOUNTING DIMENSION COMPONENT SIDE



RECOMMENDED PANEL CUTOUT THK, 2mm MAX

- △ RECOMMENDED SCREW SIZE ; M2.6 PANHEAD SCREW(L=5)
- 2 RECOMMENDED P.C BOARD THICKNESS ; 0.6~1.0 (REF)
- 3 INSERTION FORCE OF RETENTION LEG TO P.C.B; 21.56N(2.2kgf) MAX/CONNECTOR.
- 4 RETENTIVITY OF RETENTION LEG TO P.C.B; 4.9N(0.5kgf) MIN/CONNECTOR.

LEAD FREE

0.0003	20	5178240-2
Au PLT.	POS.	PART NO.

THIS DRAWING IS A CONTROLLED DOCUMENT.		OWN COREL WANG 31AUG04	31AUG04		Tyco Electronics AMP K.K. Kawasaki, Japan	
DIMENSIONS: mm		CHK STEVEN YAO 31AUG04	31AUG04		NAME	RECEPTACLE HDR ASSY (2.2mm) RETENTION LEG TYPE STANDARD CHAMP.050 SERIES (II)
TOLERANCES UNLESS OTHERWISE SPECIFIED:		APVD I. ENOMOTO 31AUG04		PRODUCT SPEC	SIZE	RESTRICTED TO
0 PLC ± 0.2				108-60043	CAGE CODE	
1 PLC ± 0.2				APPLICATION SPEC	DRAWING NO	
2 PLC ± 0.2					A2	
3 PLC ± 0.2					00779	
4 PLC ± 0.2					C=5178240	
ANGLES ± 3°						
MATERIAL	FINISH	WEIGHT	CUSTOMER DRAWING	SCALE 2:1 SHEET 1 OF 1 REV A		

5178240

X-ON Electronics

Largest Supplier of Electrical and Electronic Components

Click to view similar products for [I/O Connectors](#) category:

Click to view products by [TE Connectivity](#) manufacturer:

Other Similar products are found below :

[571763P](#) [58098-0628](#) [D20419-211](#) [D38999/20FJ24PA L/C](#) [D38999/20FJ29SB L/C](#) [D38999/24FG11SN L/C](#) [72.250.1628.2](#) [72.250.2428.2](#)
[74720-0505](#) [76.350.0729.0](#) [76871-1403](#) [FCN-244F080-G/1](#) [FCN-260A9920](#) [FCN-268D024-G/2F#10X-R10](#) [PCS-E50FA](#) [PCS-XE26LKA](#)
[PCS-XE26MA+](#) [PCS-XES68MS+](#) [G38A71314B](#) [DX40-50P\(55\)](#) [1571250010](#) [157-22500-3](#) [MS3471L14-19P L/C](#) [1888020-8](#) [91-569786-](#)
[35H](#) [91-569786-35M](#) [91-644626-35P](#) [SM3100F14S-58S](#) [172501-4002](#) [172501-6002](#) [FCN-260C008-A/L0](#) [FCN-260C024-AL0](#) [FCN-](#)
[261Z008](#) [FCN-268D008-G/1K](#) [2000314-1](#) [200331-1](#) [2007498-2](#) [PCR-E28LMDAG1+](#) [PCR-E36FC+](#) [PCS-E28FS+](#) [PCS-XE26SLFD+](#) [PCS-](#)
[XE26SLFDT+](#) [G38A71214B](#) [HDRA-E68W1LFDTC-SL+](#) [HDR-E14MSG1+](#) [R88A-CNK81S](#) [CRT1-ATT02](#) [54182-0605](#) [U90B2054081210](#)
[UE86K842720321](#)