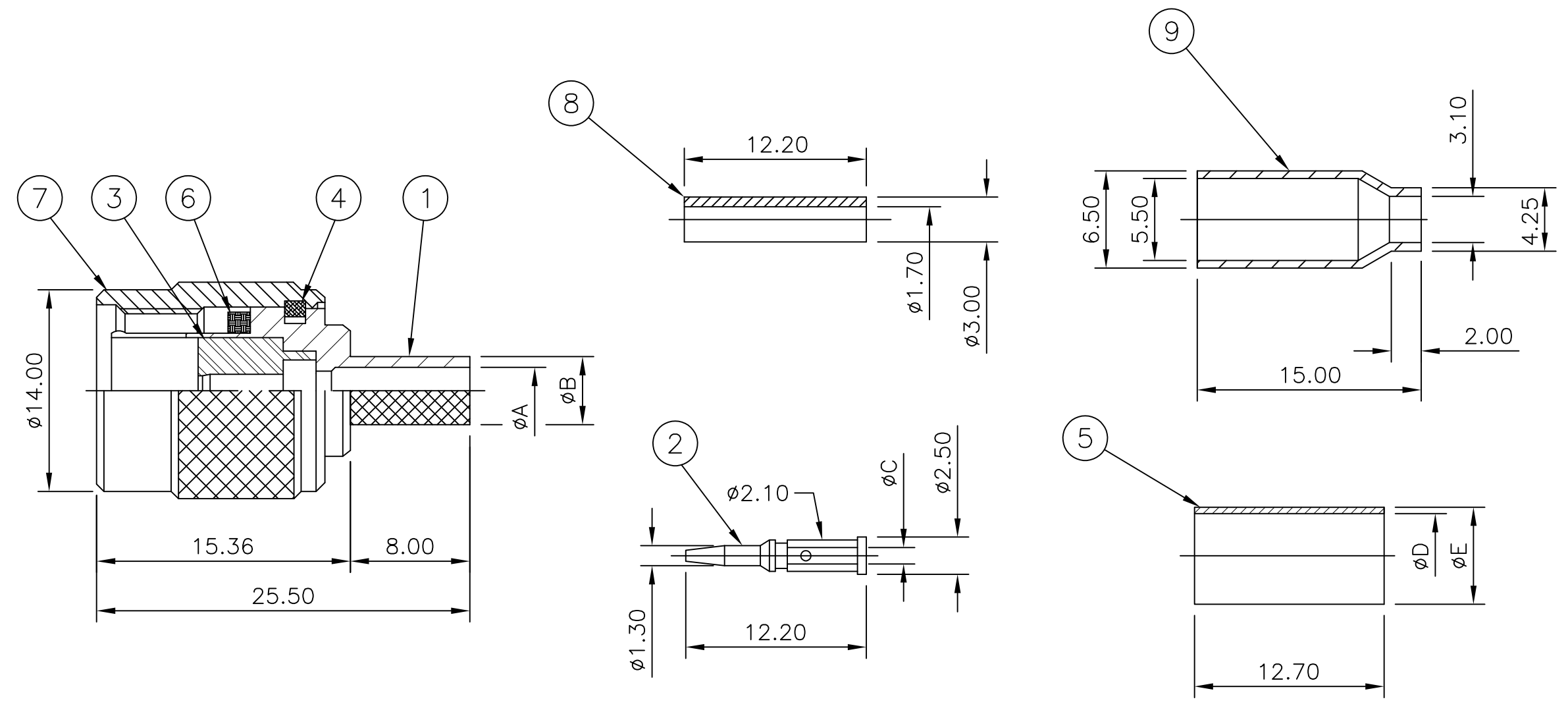


THIS DRAWING IS UNPUBLISHED. RELEASED FOR PUBLICATION SEPT., 2006.
 © COPYRIGHT 2006 BY TYCO ELECTRONICS CORPORATION. ALL RIGHTS RESERVED.

| LOC | DIST | REVISIONS | | | | | |
|-----|------|-----------|-----|---------------|-----------|------|------|
| E | B | P | LTR | DESCRIPTION | DATE | DWN | APVD |
| | | B | | ECO-09-003420 | 11 Mar 09 | RITA | BOB |

- NOTES**
- 1 SINGLE PACK IN ACCORDANCE WITH AMP SPEC 107-3275
 - 2 100 TRAY PACK IN ACCORDANCE WITH AMP SPEC 107-3275
 - 3 Au PLATING
 - 4 Ni PLATING
 - 5 THIS ITEM MUST BE WHITE
 - 6 HAND TOOL: 9-1478240-0
 - 7 DIE SET: SEE TABLE
 - 8 FOR TECHNICAL DATA REFER TO YOUR LOCAL TYCO ELECTRONICS SALES OFFICE
 - 9 ALL DIMENSIONS ARE NOMINAL FOR REFERENCE ONLY UNLESS OTHERWISE STATED

| | 7.4 | 6.5 | 0.7 | 5.45 | 3.8 | 9-1478242-0 | RG59B/U, 62A/U, 140/U, 210/U, URM90, KX 6A, KX 25, KX 52, KX 53 | 5-1814801-3 |
|--|-----|-----|-----|------|-----|-------------|---|-------------|
| | 7.4 | 6.5 | 0.7 | 5.45 | 3.8 | 9-1478242-0 | RG59B/U, 62A/U, 140/U, 210/U, URM90, KX 6A, KX 25, KX 52, KX 53 | 5-1814801-2 |
| | 6.4 | 5.4 | 0.7 | 4.5 | 3.1 | 9-1478242-0 | RG179B/U, 187A/U, URM111 | 5-1814801-1 |
| | 6.4 | 5.4 | 0.7 | 4.5 | 3.1 | 9-1478242-0 | RG179B/U, 187A/U, URM111 | 5-1814801-0 |
| | E | D | C | B | A | DIE SET | CABLE GROUPS | PART NO. |



| QTY | UNIT | MATERIAL | DESCRIPTION | ITEM | | |
|-----|------|----------|-------------|-------------------|---------------|------|
| - | - | 1 | 1 | BRASS | FERRULE | 9 |
| - | - | 1 | 1 | NYLON | PUSHER SLEEVE | 8 |
| 1 | 1 | 1 | 1 | ZINC ALLOY | COUPLING NUT | 7 |
| 1 | 1 | 1 | 1 | SILCON RUBBER | GASKET | 6 |
| 1 | 1 | - | - | BRASS | FERRULE | 5 |
| 1 | 1 | 1 | 1 | BRASS | CIRCLIP | 4 |
| 1 | 1 | 1 | 1 | POLYMETHYLPENTENE | INSULATOR | 3 |
| 1 | 1 | 1 | 1 | BRASS | CONTACT | 2 |
| 1 | 1 | 1 | 1 | ZINC ALLOY | BODY | 1 |
| 5 | 35 | 25 | 15 | MATERIAL | DESCRIPTION | ITEM |

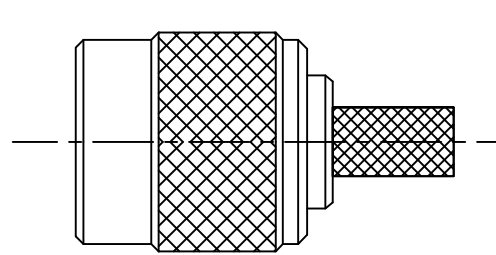
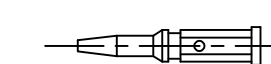
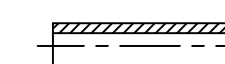
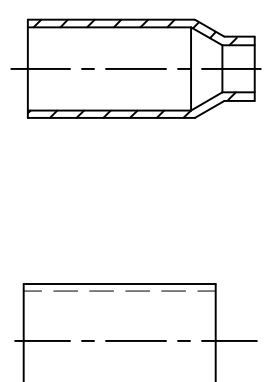
THIS DRAWING IS A CONTROLLED DOCUMENT.

| | | | | | |
|-------------------------------|--|------------|------------------|-----------------------|------------------|
| DWN: RITA ZUO 11 Mar 09 | Tyco Electronics Corporation Kunshan, Jiangsu, PRC 215312 | | | | |
| CHK: ANSON MA 11 Mar 09 | | | | | |
| APVD: BOB ZHAO 11 Mar 09 | | | | | |
| PRODUCT SPEC: 108-112000 | | | | | |
| APPLICATION SPEC: SEE SHEET 2 | NAME: TNC STRAIGHT PLUG HEX CRIMP 75 OHM | | | | |
| MATERIAL: SEE TABLE | FINISH: SEE TABLE | SIZE: A2 | CAGE CODE: 00779 | DRAWING NO: C=1814801 | RESTRICTED TO: - |
| CUSTOMER DRAWING | | SCALE: NTS | SHEET: 1 | OF: 2 | REV: B |

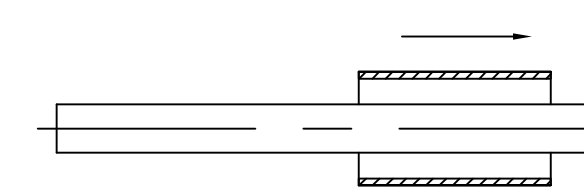
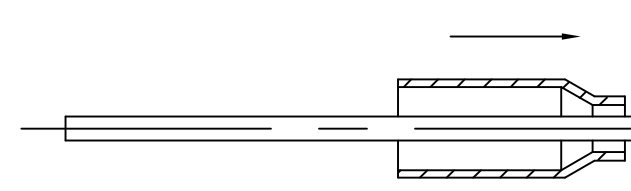
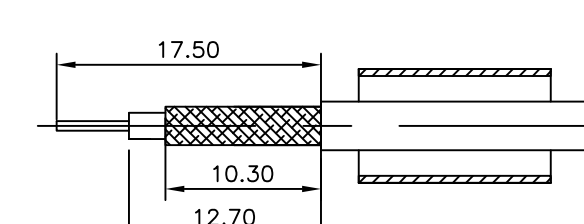
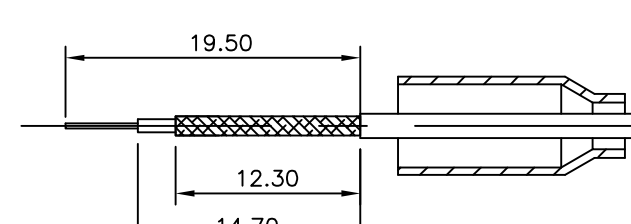
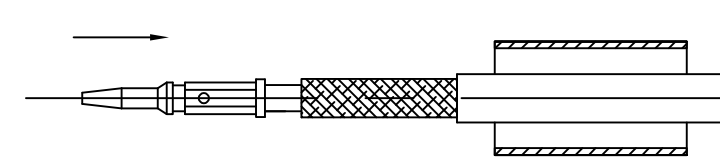
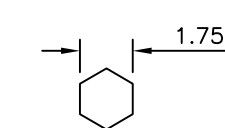
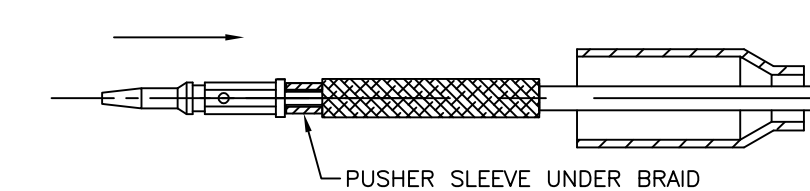
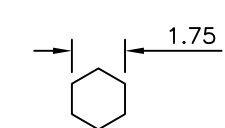
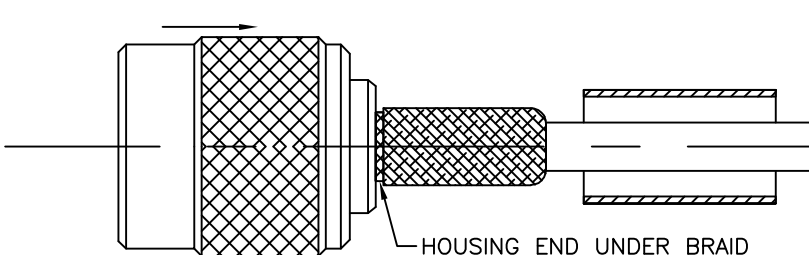
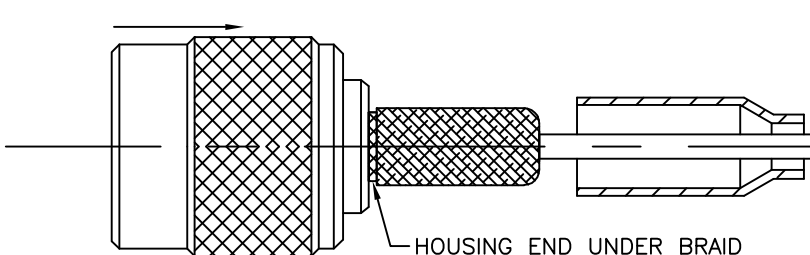
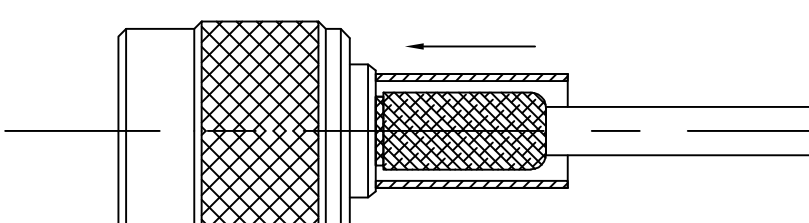
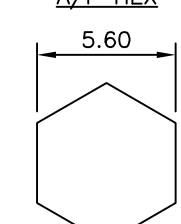
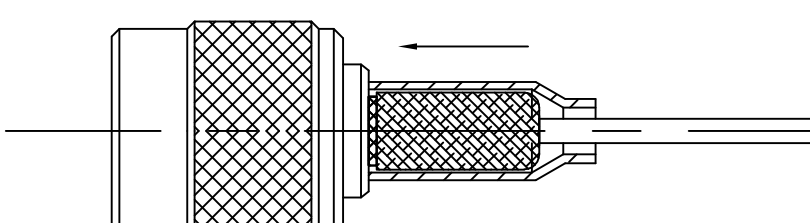
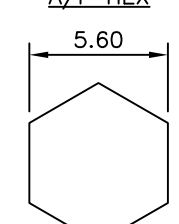
THIS DRAWING IS UNPUBLISHED. RELEASED FOR PUBLICATION SEPT , 2006.
 © COPYRIGHT 2006 BY TYCO ELECTRONICS CORPORATION. ALL RIGHTS RESERVED.

| LOC | DIST | REVISIONS | | | | | |
|-----|------|-----------|-----|-------------|------|-----|------|
| E | B | P | LTR | DESCRIPTION | DATE | DWN | APVD |
| | | - | - | SEE SHEET 1 | - | - | - |

COMPONENTS

| | MAIN BODY (ITEM 1,3,4,6,7 & 8) | CENTRE CONTACT (ITEM 2) | PUSHER SLEEVE (ITEM 9) | CRIMP FERRULES (ITEM 5 & 10) |
|--|---|---|---|---|
| |  |  |  |  |

ASSEMBLY INSTRUCTION

| CABLES: RG58C/U, 141A/U, 303/U, URM43, 76, BELDEN 9907, KX15 | CABLES: RG174A/U, 188A/U, 316/U, URM95, KX3B, KX22A |
|---|---|
| <p>STEP 1</p> <p>1. SLIDE METAL CRIMP FERRULE OVER CABLE</p>  | <p>STEP 1</p> <p>1. SLIDE METAL CRIMP FERRULE OVER CABLE</p>  |
| <p>STEP 2</p> <p>1. STRIP CABLE TO DIMENSIONS AS SHOWN</p>  | <p>STEP 2</p> <p>1. STRIP CABLE TO DIMENSIONS AS SHOWN</p>  |
| <p>STEP 3</p> <p>1. FIT CONTACT OVER CENTRE CONDUCTOR TO BUTT AGAINST DIELECTRIC. 2. CRIMP USING TOOL AS NOTES ON PAGE 1.</p>  <p>RECOMMENDED CENTRE CONTACT A/F HEX</p>  | <p>STEP 3</p> <p>1. SLIDE ITEM 10 PUSHER SLEEVE OVER DIELECTRIC BEFORE FITTING THE CONTACT. 2. FIT CONTACT OVER CENTRE CONDUCTOR TO BUTT AGAINST DIELECTRIC. 3. CRIMP USING TOOL AS NOTES ON PAGE 1.</p>  <p>RECOMMENDED CENTRE CONTACT A/F HEX</p>  |
| <p>STEP 4</p> <p>1. PRESS SUB-ASSEMBLY INTO BODY, UNTIL CONTACT IS FULLY LOCATED BY AN AUDIBLE CLICK. 2. ENSURE THAT KNURLED HOUSING INSERTS BETWEEN THE DIELECTRIC AND CABLE BRAID.</p>  | <p>STEP 4</p> <p>1. PRESS SUB-ASSEMBLY INTO BODY, UNTIL CONTACT IS FULLY LOCATED BY AN AUDIBLE CLICK. 2. ENSURE THAT KNURLED HOUSING INSERTS BETWEEN THE PUSHER SLEEVE AND CABLE BRAID.</p>  |
| <p>STEP 5</p> <p>1. SLIDE CRIMP FERRULE ALONG THE CABLE UNTIL IT BUTTS AGAINST THE HOUSING BODY. 2. CRIMP USING TOOL AS NOTED ON PAGE 1. 3. CRIMP DIMENSION AS SHOWN.</p>  <p>RECOMMENDED CRIMP SLEEVE A/F HEX</p>  | <p>STEP 5</p> <p>1. SLIDE CRIMP FERRULE ALONG THE CABLE UNTIL IT BUTTS AGAINST THE BODY HOUSING. 2. CRIMP USING TOOL AS NOTED ON PAGE 1. 3. CRIMP DIMENSION AS SHOWN.</p>  <p>RECOMMENDED CRIMP SLEEVE A/F HEX</p>  |

| | | | | |
|--|--|------------------------------|---|-----------------------|
| THIS DRAWING IS A CONTROLLED DOCUMENT. | | DWN RITA ZUO 11 Mar 09 | Tyco Electronics Tyco Electronics Corporation Kunshan, Jiangsu, PRC 215312 | |
| DIMENSIONS: MM | | CHK ANSON MA 11 Mar 09 | NAME TNC STRAIGHT PLUG HEX CRIMP 50 OHM | |
| TOLERANCES UNLESS OTHERWISE SPECIFIED | | APVD BOB ZHAO 11 Mar 09 | DRAWING NO. 108-112000 | |
| 0 PLC ± | | PRODUCT SPEC 108-112000 | | |
| 1 PLC ± | | APPLICATION SPEC SEE SHEET 2 | | |
| 2 PLC ± | | SIZE A2 | CAGE CODE 00779 | DRAWING NO. C=1814801 |
| 3 PLC ± | | RESTRICTED TO - | | |
| 4 PLC ± | | SCALE NTS | | |
| ANGLES ± | | SHEET 2 OF 2 | | |
| FINISH SEE TABLE | | REV B | | |
| MATERIAL SEE TABLE | | CUSTOMER DRAWING | | |

X-ON Electronics

Largest Supplier of Electrical and Electronic Components

Click to view similar products for [RF Connectors / Coaxial Connectors](#) category:

Click to view products by [TE Connectivity](#) manufacturer:

Other Similar products are found below :

[8915-1511-000](#) [89674-0827](#) [6001-7071-019](#) [6002-7051-003](#) [6002-7551-202](#) [6059674-1](#) [619550-1](#) [630059-000](#) [M39030/3-01N](#) [6500-7071-046](#) [6769](#) [CX050L2AQ](#) [7002-1541-010](#) [7002-1542-011](#) [7004-1512-000](#) [7009-1511-004](#) [7010-1511-000](#) [7029-1511-060](#) [7101-1541-010](#) [7101-1571-002](#) [7105-1521-002](#) [7145-1521-002](#) [7203-1571-003](#) [7209-1511-011](#) [7210-1511-015](#) [7210-1511-019](#) [73137-5015](#) [73216-2241](#) [73404-2300](#) [7405-1521-005](#) [7405-1521-802](#) [8527](#) [8547](#) [FS11V](#) [877931](#) [9049-9513-000](#) [9074-9513-000](#) [9101-9573-002](#) [910A205F](#) [9130-9573-002](#) [PL11SC-026](#) [PL375-33](#) [PL40-5](#) [PL74C-221](#) [PL75MC-217](#) [PL803-7](#) [1200690078](#) [1-201144-1](#) [R107003010W](#) [R110A172100](#)