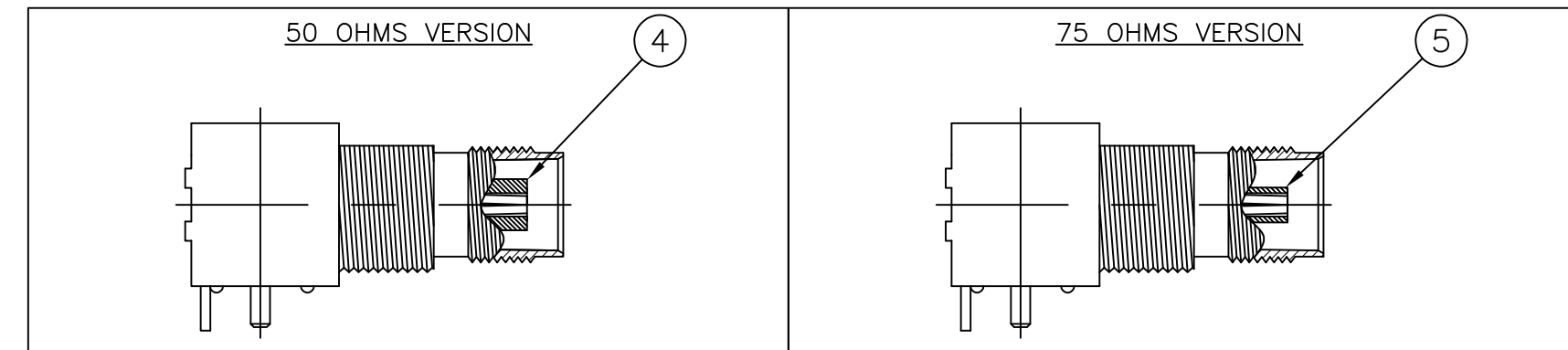
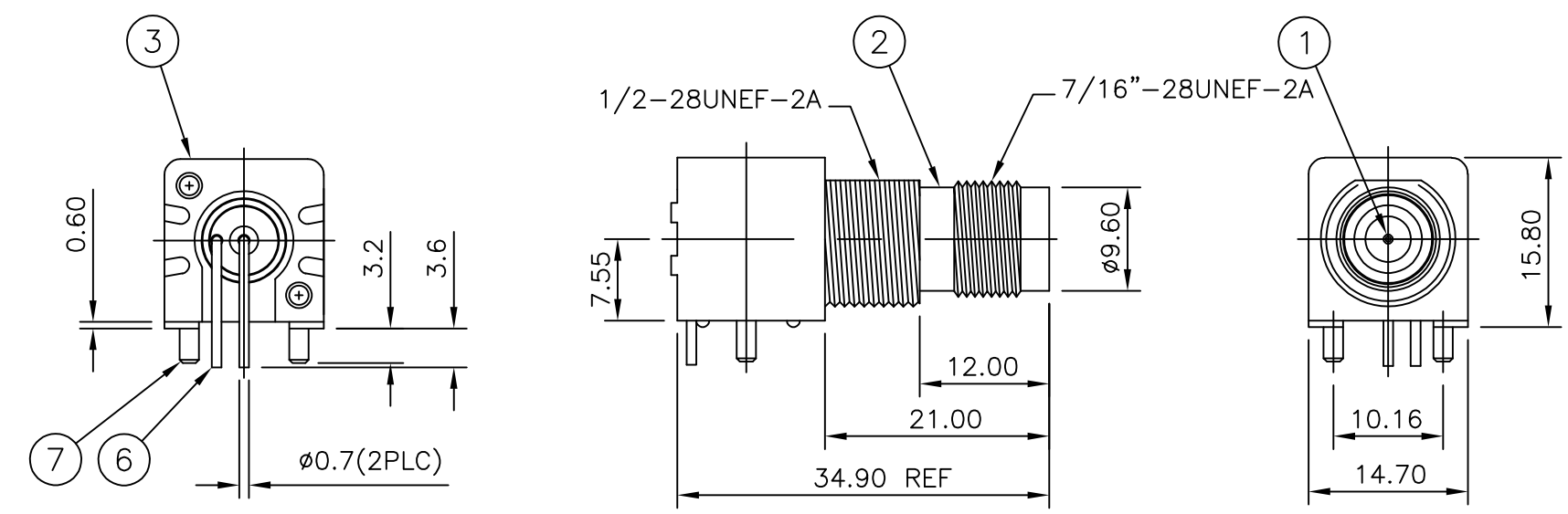


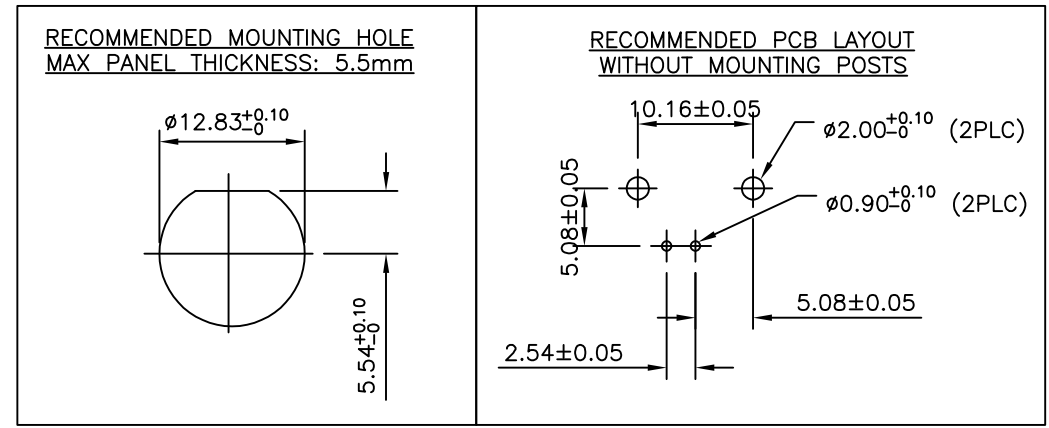
THIS DRAWING IS UNPUBLISHED. RELEASED FOR PUBLICATION OCTOBER ,2006.
 © COPYRIGHT 2006 By - ALL RIGHTS RESERVED.

LOC	DIST	REVISIONS			
P	LTR	DESCRIPTION	DATE	DWN	APVD
E	B	C1	REVISED PER ECO-11-005033	01APR11	RK HMR
		D	REVISED PER ECO-12-009395	17MAY12	TITAN MARTIN

- NOTES:**
- 1 SINGLE PACK IN ACCORDANCE WITH AMP SPEC 107-3275
 - 2 50 TRAY PACK IN ACCORDANCE WITH AMP SPEC 107-3275
 - 3 Au PLATING
 - 4 Ni PLATING
 - 5 RECOMMENDED MOUNT NUT 1-1634816-0
 - 6 RECOMMENDED LOCKWASHER 1-1634817-0
 - 7 FOR TECHNICAL DATA REFER TO YOUR LOCAL TE CONNECTIVITY SALES OFFICE
 - 8 ALL DIMENSIONS ARE NOMINAL FOR REFERENCE ONLY UNLESS OTHERWISE STATED



	Obsolete	Obsolete	Obsolete					
	2	2	2	2	BRASS	▲	MOUNTING POST	7
	1	1	1	1	BRASS	▲	SOLDER TAIL	6
	1	1	-	-	PE-606		INSULATOR	5
	-	-	1	1	PE-606		INSULATOR	4
	1	1	1	1	POLYESTER WHITE		BODY	3
	1	1	1	1	ZINC ALLOY	▲	BODY	2
	1	1	1	1	PHOS BRONZE	▲	CONTACT	1
	5--3	5--2	5--1	5--0	MATERIAL		DESCRIPTION	ITEM
	▲	▲	▲	▲				



THIS DRAWING IS A CONTROLLED DOCUMENT.

DWN	RITA ZUO	11 Mar 09
CHK	ANSON MA	11 Mar 09
APVD	BOB ZHAO	11 Mar 09
PRODUCT SPEC	108-112000	
APPLICATION SPEC	-	
MATERIAL	SEE TABLE	FINISH
WEIGHT	-	SCALE

STE TE Connectivity

TNC R/A INSULATED PCB SOCKET
50 & 75 OHM

SIZE	CAGE CODE	DRAWING NO	RESTRICTED TO
A3	00779	C-1814807	-

CUSTOMER DRAWING

SCALE NTS SHEET 1 OF 1 REV D

X-ON Electronics

Largest Supplier of Electrical and Electronic Components

Click to view similar products for [RF Connectors / Coaxial Connectors](#) category:

Click to view products by [TE Connectivity](#) manufacturer:

Other Similar products are found below :

[8915-1511-000](#) [89674-0827](#) [6001-7071-019](#) [6002-7051-003](#) [6002-7551-202](#) [6059674-1](#) [619550-1](#) [630059-000](#) [M39030/3-01N](#) [6500-7071-046](#) [6769](#) [CX050L2AQ](#) [7002-1541-010](#) [7002-1542-011](#) [7004-1512-000](#) [7009-1511-004](#) [7010-1511-000](#) [7029-1511-060](#) [7101-1541-010](#) [7101-1571-002](#) [7105-1521-002](#) [7145-1521-002](#) [7203-1571-003](#) [7209-1511-011](#) [7210-1511-015](#) [7210-1511-019](#) [73137-5015](#) [73216-2241](#) [73404-2300](#) [7405-1521-005](#) [7405-1521-802](#) [8527](#) [8547](#) [FS11V](#) [877931](#) [9049-9513-000](#) [9074-9513-000](#) [9101-9573-002](#) [910A205F](#) [9130-9573-002](#) [PL11SC-026](#) [PL375-33](#) [PL40-5](#) [PL74C-221](#) [PL75MC-217](#) [PL803-7](#) [1200690078](#) [1-201144-1](#) [R107003010W](#) [R110A172100](#)