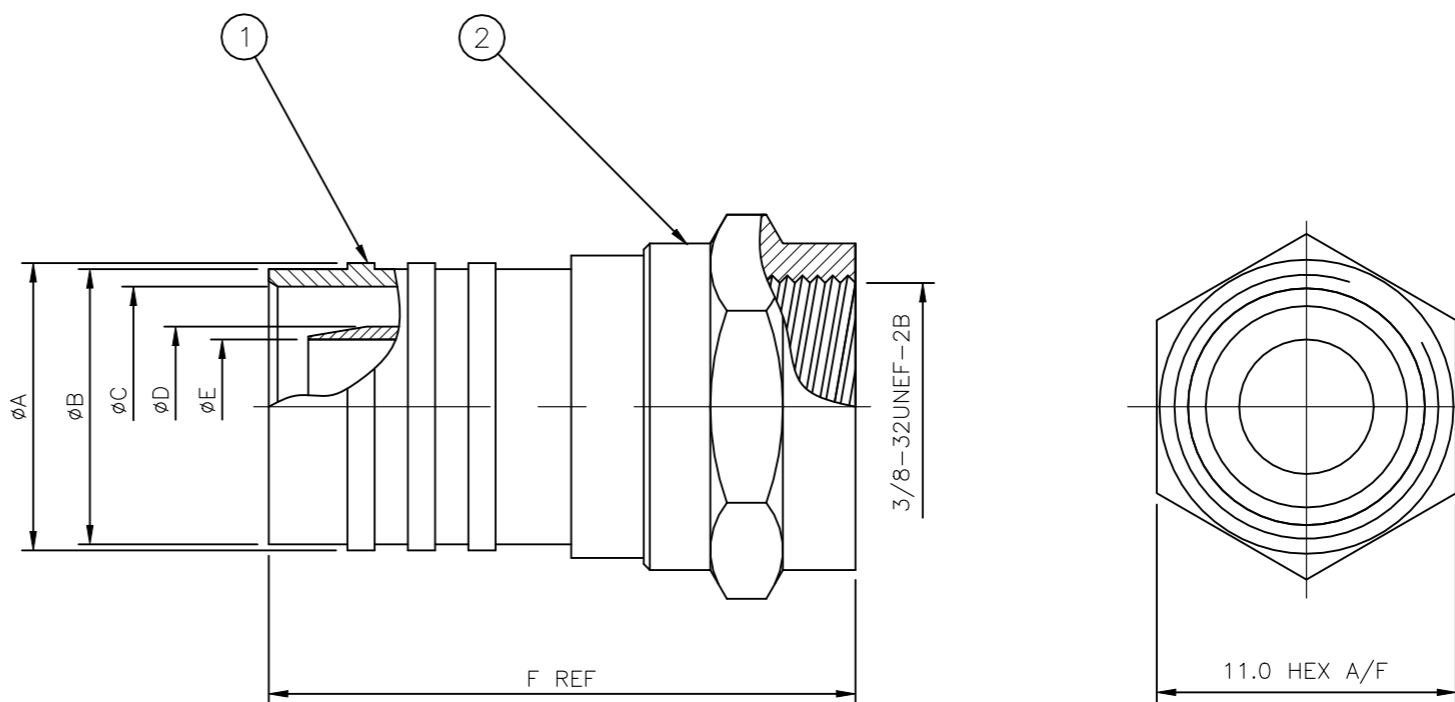


| P | LTR | DESCRIPTION | DATE | DWN | APVD |
|---|-----|---------------------------|-----------|-----|------|
| | C2 | REVISER PER ECN-21-105646 | 09JUN2021 | RZ | WK |

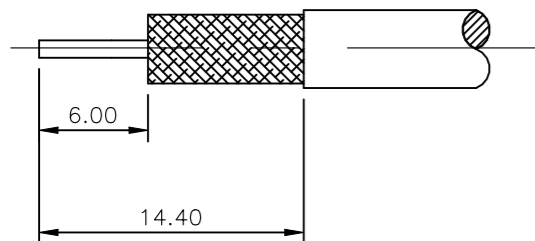
| | | 9.50 | 19.40 | 6.00 | 6.70 | 8.70 | 10.00 | 10.50 | CT125 | | 5-1814821-7 |
|------------|-------------|-------|-------|------|------|------|-------|-------|--|--|-------------|
| OBSOLETE | | 9.50 | 19.40 | 6.00 | 6.70 | 8.70 | 10.00 | 10.50 | CT125 | | 5-1814821-6 |
| OBSOLETE | 9-1478243-0 | 8.50 | 19.40 | 4.85 | 5.70 | 7.70 | 9.00 | 9.50 | CT100 | | 5-1814821-5 |
| OBSOLETE | 9-1478243-0 | 8.50 | 19.40 | 4.85 | 5.70 | 7.70 | 9.00 | 9.50 | CT100 | | 5-1814821-4 |
| | 1583581-1 | 10.20 | 19.40 | 4.85 | 5.50 | 9.50 | 10.80 | 11.20 | RG6/U | | 5-1814821-3 |
| OBSOLETE | 1583581-1 | 10.20 | 19.40 | 4.85 | 5.50 | 9.50 | 10.80 | 11.20 | RG6/U | | 5-1814821-2 |
| | 9-1478243-0 | 8.50 | 20.40 | 3.90 | 4.70 | 7.50 | 9.00 | 9.50 | RG59B/U, 62A/U, 140/U, 210/U, URM90, Belden 9291, 9291, KX6A, KX25, KX52, KX53 | | 5-1814821-1 |
| OBSOLETE | 9-1478243-0 | 8.50 | 20.40 | 3.90 | 4.70 | 7.50 | 9.00 | 9.50 | RG59B/U, 62A/U, 140/U, 210/U, URM90, Belden 9291, 9291, KX6A, KX25, KX52, KX53 | | 5-1814821-0 |
| | DIE SET | G | F | E | D | C | B | A | CABLE GROUPS | | PART NO. |
| DIMENSIONS | | | | | | | | | | | |

NOTES

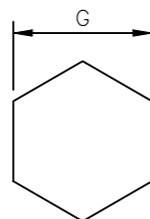
- 1 SINGLE PACK IN ACCORDANCE WITH AMP SPEC 107-3275
- 2 100 TRAY PACK IN ACCORDANCE WITH AMP SPEC 107-3275
- 3 Ni PLATING
- 4. HAND TOOL: 9-1478240-0
- 5. FOR TECHNICAL DATA REFER TO YOUR LOCAL TE CONNECTIVITY SALES OFFICE
- 6. ALL DIMENSIONS ARE NOMINAL FOR REFERENCE ONLY UNLESS OTHERWISE STATED



RECOMMENDED CABLE STRIPPING DIM'S



RECOMMENDED CRIMP OUTER FERRULE A/F HEX



| | OBSOLETE | OBSOLETE | OBSOLETE | OBSOLETE | OBSOLETE | OBSOLETE | OBSOLETE | | | | |
|------------|----------|----------|----------|----------|----------|----------|----------|------------|---|--------------|------|
| 1 | 1 | 1 | 1 | 1 | 1 | 1 | 1 | ZINC ALLOY | △ | COUPLING NUT | 2 |
| 1 | 1 | 1 | 1 | 1 | 1 | 1 | 1 | BRASS | △ | BODY | 1 |
| 5 | 75 | 65 | 55 | 45 | 35 | 25 | 15 | MATERIAL | | DESCRIPTION | ITEM |
| PARTS LIST | | | | | | | | | | | |

THIS DRAWING IS A CONTROLLED DOCUMENT.

| | | | | | | |
|------------------|--|------------------|--------------------------------|-----------|----------------------------|---------------|
| DIMENSIONS: | TOLERANCES UNLESS OTHERWISE SPECIFIED: | DWN | ANSON MA | 14FEB09 | STE TE Connectivity | |
| mm | | CHK | RITA ZUO | 14FEB09 | | |
| | | APVD | BOB ZHAO | 14FEB09 | | |
| | | NAME | | | | |
| | | PRODUCT SPEC | 108-112000 | | | |
| | | APPLICATION SPEC | F TYPE STRAIGHT PLUG HEX CRIMP | | | |
| MATERIAL | FINISH | WEIGHT | SIZE | CAGE CODE | DRAWING NO | RESTRICTED TO |
| SEE TABLE | - | - | A3 | 00779 | C-1814821 | - |
| CUSTOMER DRAWING | | | SCALE | SHEET | REV | |
| | | | NTS | 1 OF 1 | C2 | |

X-ON Electronics

Largest Supplier of Electrical and Electronic Components

Click to view similar products for [RF Connectors / Coaxial Connectors](#) category:

Click to view products by [TE Connectivity](#) manufacturer:

Other Similar products are found below :

[8915-1511-000](#) [89674-0827](#) [6001-7071-019](#) [6002-7051-003](#) [6002-7551-202](#) [6059674-1](#) [619550-1](#) [630059-000](#) [M39030/3-01N](#) [6500-7071-046](#) [6769](#) [CX050L2AQ](#) [7002-1541-010](#) [7002-1542-011](#) [7004-1512-000](#) [7009-1511-004](#) [7010-1511-000](#) [7029-1511-060](#) [7101-1541-010](#) [7101-1571-002](#) [7105-1521-002](#) [7145-1521-002](#) [7203-1571-003](#) [7209-1511-011](#) [7210-1511-015](#) [7210-1511-019](#) [73137-5015](#) [73216-2241](#) [73404-2300](#) [7405-1521-005](#) [7405-1521-802](#) [8527](#) [8547](#) [FS11V](#) [877931](#) [8808-1511-001](#) [9074-9513-000](#) [9101-9573-002](#) [910A205F](#) [9130-9573-002](#) [PL11SC-026](#) [PL375-33](#) [PL40-5](#) [PL74C-221](#) [PL75MC-217](#) [PL803-7](#) [1200690078](#) [1-201144-1](#) [R107003010W](#) [R110A172100](#)