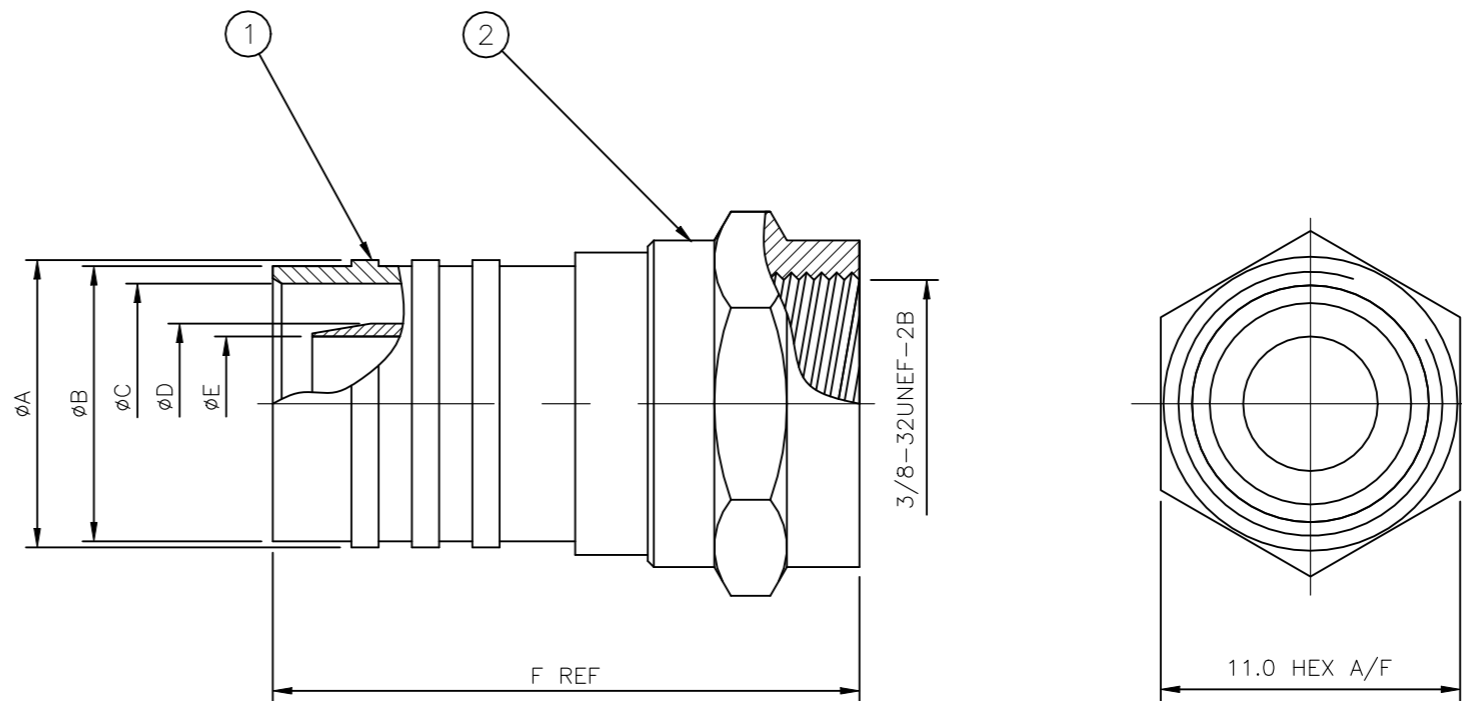


| P | LTR | DESCRIPTION               | DATE      | DWN | APVD |
|---|-----|---------------------------|-----------|-----|------|
|   | C2  | REVISER PER ECN-21-105646 | 09JUN2021 | RZ  | WK   |

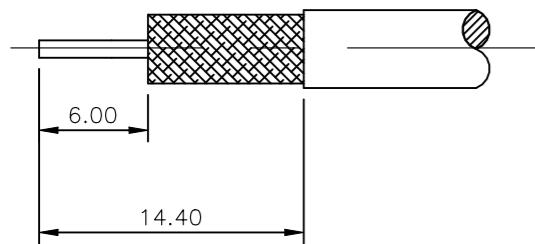
|            |             | 9.50  | 19.40 | 6.00 | 6.70 | 8.70 | 10.00 | 10.50 | CT125  |  | 5-1814821-7 |
|------------|-------------|-------|-------|------|------|------|-------|-------|--|--|-------------|
| OBSOLETE   |             | 9.50  | 19.40 | 6.00 | 6.70 | 8.70 | 10.00 | 10.50 | CT125  |  | 5-1814821-6 |
| OBSOLETE   | 9-1478243-0 | 8.50  | 19.40 | 4.85 | 5.70 | 7.70 | 9.00  | 9.50  | CT100  |  | 5-1814821-5 |
| OBSOLETE   | 9-1478243-0 | 8.50  | 19.40 | 4.85 | 5.70 | 7.70 | 9.00  | 9.50  | CT100  |  | 5-1814821-4 |
|            | 1583581-1   | 10.20 | 19.40 | 4.85 | 5.50 | 9.50 | 10.80 | 11.20 | RG6/U  |  | 5-1814821-3 |
| OBSOLETE   | 1583581-1   | 10.20 | 19.40 | 4.85 | 5.50 | 9.50 | 10.80 | 11.20 | RG6/U  |  | 5-1814821-2 |
|            | 9-1478243-0 | 8.50  | 20.40 | 3.90 | 4.70 | 7.50 | 9.00  | 9.50  | RG59B/U, 62A/U, 140/U, 210/U, URM90, Belden 9291, 9291, KX6A, KX25, KX52, KX53 |  | 5-1814821-1 |
| OBSOLETE   | 9-1478243-0 | 8.50  | 20.40 | 3.90 | 4.70 | 7.50 | 9.00  | 9.50  | RG59B/U, 62A/U, 140/U, 210/U, URM90, Belden 9291, 9291, KX6A, KX25, KX52, KX53 |  | 5-1814821-0 |
|            | DIE SET     | G     | F     | E    | D    | C    | B     | A     | CABLE GROUPS   |  | PART NO.    |
| DIMENSIONS |             |       |       |      |      |      |       |       |  |  |             |

NOTES

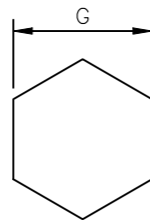
- 1 SINGLE PACK IN ACCORDANCE WITH AMP SPEC 107-3275
- 2 100 TRAY PACK IN ACCORDANCE WITH AMP SPEC 107-3275
- 3 Ni PLATING
- 4. HAND TOOL: 9-1478240-0
- 5. FOR TECHNICAL DATA REFER TO YOUR LOCAL TE CONNECTIVITY SALES OFFICE
- 6. ALL DIMENSIONS ARE NOMINAL FOR REFERENCE ONLY UNLESS OTHERWISE STATED



RECOMMENDED CABLE STRIPPING DIM'S



RECOMMENDED CRIMP OUTER FERRULE A/F HEX



|                   | OBSOLETE | OBSOLETE | OBSOLETE | OBSOLETE | OBSOLETE | OBSOLETE | OBSOLETE |            |              |            |
|-------------------|----------|----------|----------|----------|----------|----------|----------|------------|--------------|------------|
| 1                 | 1        | 1        | 1        | 1        | 1        | 1        | 1        | ZINC ALLOY | COUPLING NUT | 2          |
| 1                 | 1        | 1        | 1        | 1        | 1        | 1        | 1        | BRASS      | BODY         | 1          |
| 5                 | 75       | 65       | 55       | 45       | 35       | 25       | 15       | MATERIAL   | DESCRIPTION  | ITEM       |
| QUANTITY PER ASSY |          |          |          |          |          |          |          |            |              | PARTS LIST |

THIS DRAWING IS A CONTROLLED DOCUMENT.

DWN ANSON MA 14FEB09  
 CHK RITA ZUO 14FEB09  
 APVD BOB ZHAO 14FEB09

PRODUCT SPEC 108-112000  
 APPLICATION SPEC

NAME: F TYPE STRAIGHT PLUG HEX CRIMP

SIZE: A3 CAGE CODE: 00779 DRAWING NO: C-1814821 RESTRICTED TO: -

WEIGHT: -

CUSTOMER DRAWING SCALE: NTS SHEET: 1 OF 1 REV: C2

## X-ON Electronics

Largest Supplier of Electrical and Electronic Components

*Click to view similar products for [RF Connectors / Coaxial Connectors](#) category:*

*Click to view products by [TE Connectivity](#) manufacturer:*

Other Similar products are found below :

[8915-1511-000](#) [89674-0827](#) [6001-7071-019](#) [6002-7051-003](#) [6002-7551-202](#) [6059674-1](#) [619550-1](#) [630059-000](#) [M39030/3-01N](#) [6500-7071-046](#) [6769](#) [CX050L2AQ](#) [7002-1541-010](#) [7002-1542-011](#) [7004-1512-000](#) [7009-1511-004](#) [7010-1511-000](#) [7029-1511-060](#) [7101-1541-010](#) [7101-1571-002](#) [7145-1521-002](#) [7203-1571-003](#) [7209-1511-011](#) [7210-1511-015](#) [7210-1511-019](#) [73137-5015](#) [73216-2241](#) [73404-2300](#) [7405-1521-005](#) [7405-1521-802](#) [8527](#) [8547](#) [FS11V](#) [877931](#) [8808-1511-001](#) [9049-9513-000](#) [9074-9513-000](#) [9101-9573-002](#) [910A205F](#) [9130-9573-002](#) [PL11SC-026](#) [PL375-33](#) [PL40-5](#) [PL74C-221](#) [PL75MC-217](#) [PL803-7](#) [1200690078](#) [1-201144-1](#) [R107003010W](#) [R110A172100](#)