

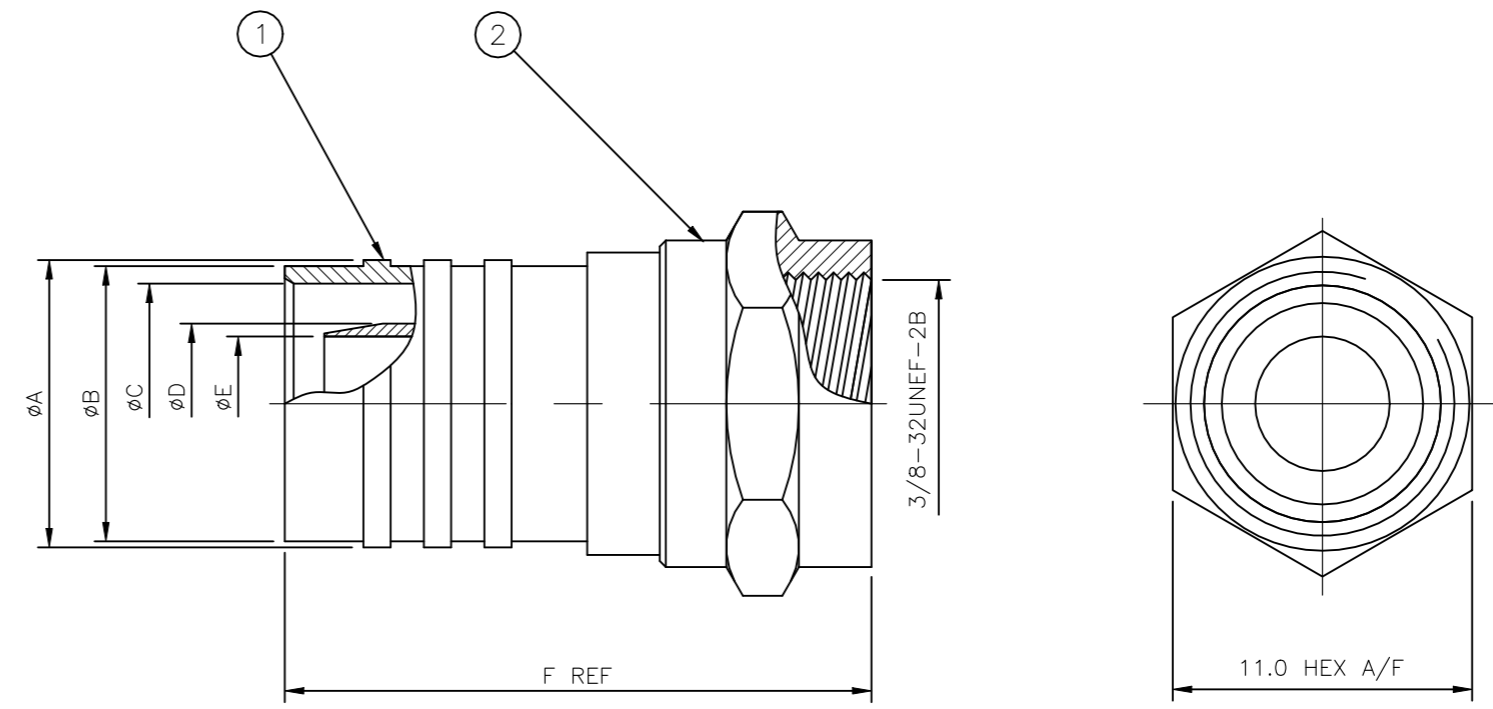
REVISIONS

P	LTR	DESCRIPTION	DATE	DWN	APVD
	C2	REVISER PER ECN-21-105646	09JUN2021	RZ	WK

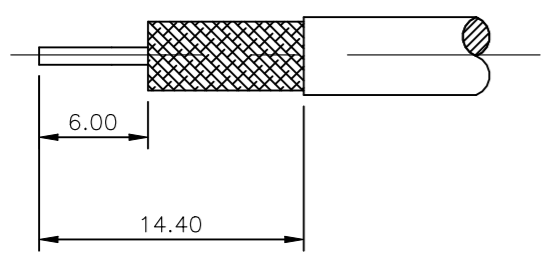
		9.50	19.40	6.00	6.70	8.70	10.00	10.50	CT125		5-1814821-7
OBSOLETE		9.50	19.40	6.00	6.70	8.70	10.00	10.50	CT125		5-1814821-6
OBSOLETE	9-1478243-0	8.50	19.40	4.85	5.70	7.70	9.00	9.50	CT100		5-1814821-5
OBSOLETE	9-1478243-0	8.50	19.40	4.85	5.70	7.70	9.00	9.50	CT100		5-1814821-4
	1583581-1	10.20	19.40	4.85	5.50	9.50	10.80	11.20	RG6/U		5-1814821-3
OBSOLETE	1583581-1	10.20	19.40	4.85	5.50	9.50	10.80	11.20	RG6/U		5-1814821-2
	9-1478243-0	8.50	20.40	3.90	4.70	7.50	9.00	9.50	RG59B/U, 62A/U, 140/U, 210/U, URM90, Belden 9291, 9291, KX6A, KX25, KX52, KX53		5-1814821-1
OBSOLETE	9-1478243-0	8.50	20.40	3.90	4.70	7.50	9.00	9.50	RG59B/U, 62A/U, 140/U, 210/U, URM90, Belden 9291, 9291, KX6A, KX25, KX52, KX53		5-1814821-0
	DIE SET	G	F	E	D	C	B	A	CABLE GROUPS		PART NO.
DIMENSIONS											

NOTES

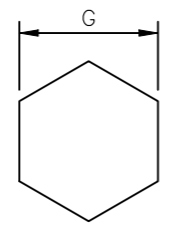
- 1 SINGLE PACK IN ACCORDANCE WITH AMP SPEC 107-3275
- 2 100 TRAY PACK IN ACCORDANCE WITH AMP SPEC 107-3275
- 3 Ni PLATING
- 4. HAND TOOL: 9-1478240-0
- 5. FOR TECHNICAL DATA REFER TO YOUR LOCAL TE CONNECTIVITY SALES OFFICE
- 6. ALL DIMENSIONS ARE NOMINAL FOR REFERENCE ONLY UNLESS OTHERWISE STATED



RECOMMENDED CABLE STRIPPING DIM'S



RECOMMENDED CRIMP OUTER FERRULE A/F HEX



	OBSOLETE	OBSOLETE	OBSOLETE	OBSOLETE	OBSOLETE	OBSOLETE	OBSOLETE				
1	1	1	1	1	1	1	1	ZINC ALLOY	△	COUPLING NUT	2
1	1	1	1	1	1	1	1	BRASS	△	BODY	1
5	75	65	55	45	35	25	15	MATERIAL		DESCRIPTION	ITEM
QUANTITY PER ASSY								PARTS LIST			

THIS DRAWING IS A CONTROLLED DOCUMENT.

DIMENSIONS: mm	TOLERANCES UNLESS OTHERWISE SPECIFIED:
	0 PLC ± 0.5
	1 PLC ± 0.4
	2 PLC ± 0.3
	3 PLC ± -
	4 PLC ± -
ANGLES	± -
MATERIAL	FINISH
SEE TABLE	-

DWN ANSON MA 14FEB09
 CHK RITA ZUO 14FEB09
 APVD BOB ZHAO 14FEB09
 PRODUCT SPEC 108-112000
 APPLICATION SPEC

STE TE Connectivity

F TYPE STRAIGHT PLUG HEX CRIMP

SIZE A3 CAGE CODE 00779 DRAWING NO C-1814821 RESTRICTED TO -

CUSTOMER DRAWING SCALE NTS SHEET 1 OF 1 REV C2

X-ON Electronics

Largest Supplier of Electrical and Electronic Components

Click to view similar products for [RF Connectors / Coaxial Connectors](#) category:

Click to view products by [TE Connectivity](#) manufacturer:

Other Similar products are found below :

[8915-1511-000](#) [89674-0827](#) [6001-7071-019](#) [6002-7051-003](#) [6002-7551-202](#) [6059674-1](#) [619550-1](#) [630059-000](#) [M39030/3-01N](#) [6500-7071-046](#) [6769](#) [CX050L2AQ](#) [7002-1541-010](#) [7002-1542-011](#) [7004-1512-000](#) [7009-1511-004](#) [7010-1511-000](#) [7029-1511-060](#) [7101-1541-010](#) [7101-1571-002](#) [7145-1521-002](#) [7203-1571-003](#) [7209-1511-011](#) [7210-1511-015](#) [7210-1511-019](#) [73137-5015](#) [73216-2241](#) [73404-2300](#) [7405-1521-005](#) [7405-1521-802](#) [8527](#) [8547](#) [FS11V](#) [877931](#) [8808-1511-001](#) [9049-9513-000](#) [9074-9513-000](#) [9101-9573-002](#) [910A205F](#) [9130-9573-002](#) [PL11SC-026](#) [PL375-33](#) [PL40-5](#) [PL74C-221](#) [PL75MC-217](#) [PL803-7](#) [1200690078](#) [1-201144-1](#) [R107003010W](#) [R110A172100](#)