

THIS DRAWING IS UNPUBLISHED.

RELEASED FOR PUBLICATION NOV ,2006.

REVISIONS

© COPYRIGHT 2006 By -

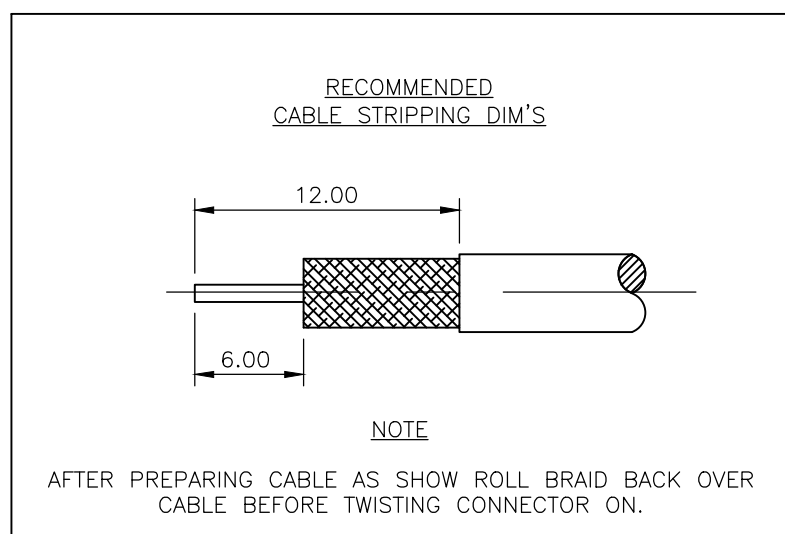
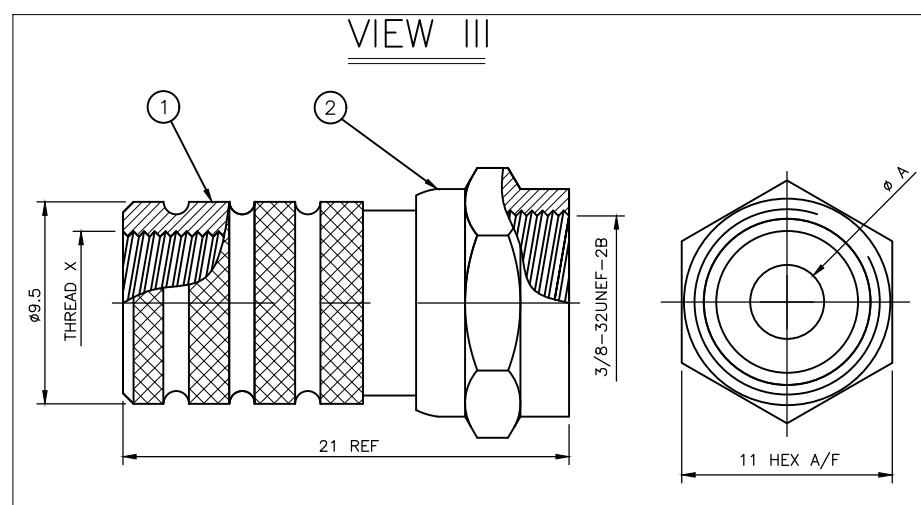
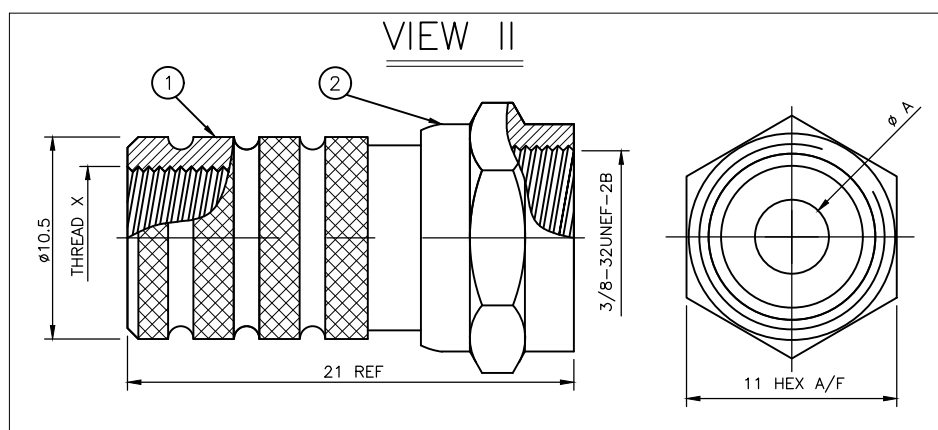
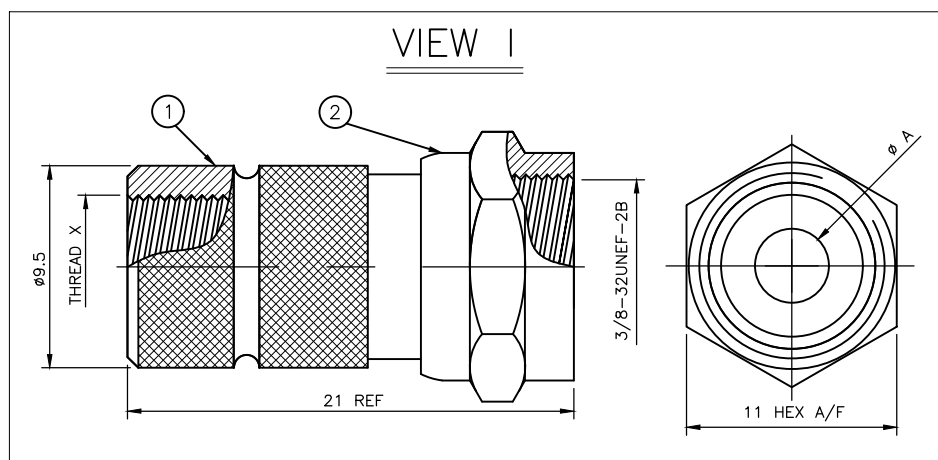
ALL RIGHTS RESERVED.

P	LTR	DESCRIPTION	DATE	DWN	APVD
	C2	REVISED PER ECR-19-012794	18NOV2019	RZ	RS

NOTES

- 1 SINGLE PACK IN ACCORDANCE WITH AMP SPEC 107-3275
- 2 100 TRAY PACK IN ACCORDANCE WITH AMP SPEC 107-3275
- 3 Ni PLATING
- 4. FOR TECHNICAL DATA REFER TO YOUR LOCAL TE CONNECTIVITY SALES OFFICE
- 5. ALL DIMENSIONS ARE NOMINAL FOR REFERENCE ONLY UNLESS OTHERWISE STATED

THREAD X	A	CABLE GROUPS	PART NO.
M8	5.60	CT125	5-1814822-7
OBSOLETE	M8	5.60	CT125
M7	4.90	CT100	5-1814822-5
OBSOLETE	M7	4.90	CT100
M9	4.90	RG6/U (OD: 8.43mm)	5-1814822-3
OBSOLETE	M9	4.90	RG6/U
OBSOLETE	1/4-20UNC-2B	3.90	RG59B/U, 62A/U, 140/U, 210/U, URM90, Belden 9291, 9291, KX6A, KX25, KX52, KX53
OBSOLETE	1/4-20UNC-2B	3.90	RG59B/U, 62A/U, 140/U, 210/U, URM90, Belden 9291, 9291, KX6A, KX25, KX52, KX53



VIEW III		VIEW II		VIEW I		MATERIAL	DESCRIPTION	ITEM
OBSOLETE	OBSOLETE	OBSOLETE	OBSOLETE	OBSOLETE	OBSOLETE			
1	1	1	1	1	1	ZINC ALLOY	COUPLING NUT	2
1	1	1	1	1	1	BRASS	BODY	1
5	75	65	55	45	35			

QUANTITY PER ASSY

THIS DRAWING IS A CONTROLLED DOCUMENT.

DWN ANSON MA 14FEB09  
CHK RITA ZUO 14FEB09  
APVD BOB ZHAO 14FEB09

**STE** TE Connectivity

NAME: F TYPE STR PLG T/O

PRODUCT SPEC: 108-112000

APPLICATION SPEC: -

SIZE: - CAGE CODE: A300779 DRAWING NO: C-1814822 RESTRICTED TO: -

WEIGHT: 0.000000

MATERIAL: SEE TABLE FINISH: -

CUSTOMER DRAWING SCALE: NTS SHEET: 1 OF 1 REV: C2

## X-ON Electronics

Largest Supplier of Electrical and Electronic Components

*Click to view similar products for [RF Connectors](#) / [Coaxial Connectors](#) category:*

*Click to view products by [TE Connectivity](#) manufacturer:*

Other Similar products are found below :

[R125315120](#) [8915-1511-000](#) [89674-0827](#) [5916-1103-603](#) [6-0001-3](#) [6001-7071-019](#) [6002-7051-003](#) [6002-7551-202](#) [6059674-1](#) [619550-1](#)  
[630059-000](#) [M39012/25-0021](#) [M39012/79-3008](#) [M39030/3-01N](#) [M39030/3-03N](#) [M3933/25-36N](#) [6500-7071-046](#) [M83723/72W24576](#)  
[M83723/72W2457N](#) [6769](#) [CX050L2AQ](#) [7002-1541-010](#) [7002-1572-002](#) [7003-1572-002](#) [7010-1511-000](#) [7029-1511-060](#) [7101-1541-010](#)  
[7101-1571-002](#) [7105-1521-002](#) [7145-1521-002](#) [7209-1511-011](#) [7210-1511-015](#) [7210-1511-019](#) [7225-1512-050](#) [7242-1511-000](#) [73137-5015](#)  
[73251-0111](#) [73251-0672](#) [7325-1512-000](#) [73276-1501](#) [73366-0013](#) [73404-2300](#) [73413-6080](#) [73415-5721](#) [7405-1521-005](#) [7405-1521-802](#)  
[7406-1521-005](#) [804S01D04M040](#) [8145-1521-002](#) [81590](#)