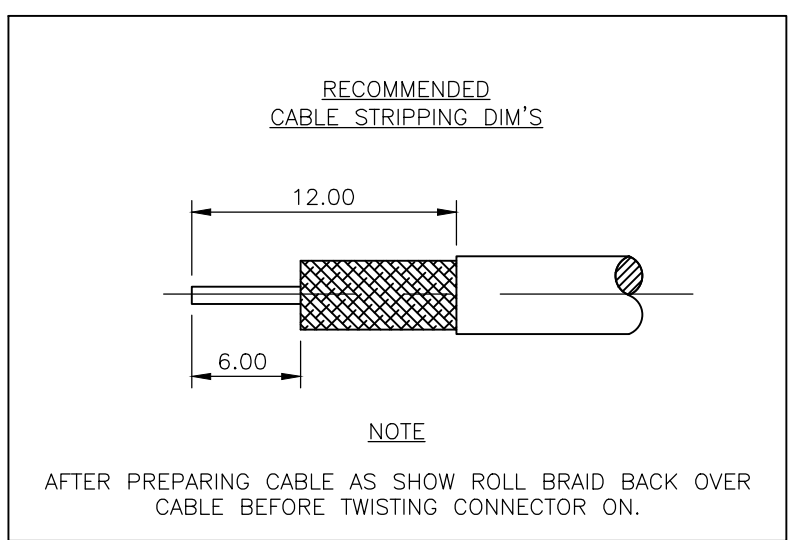
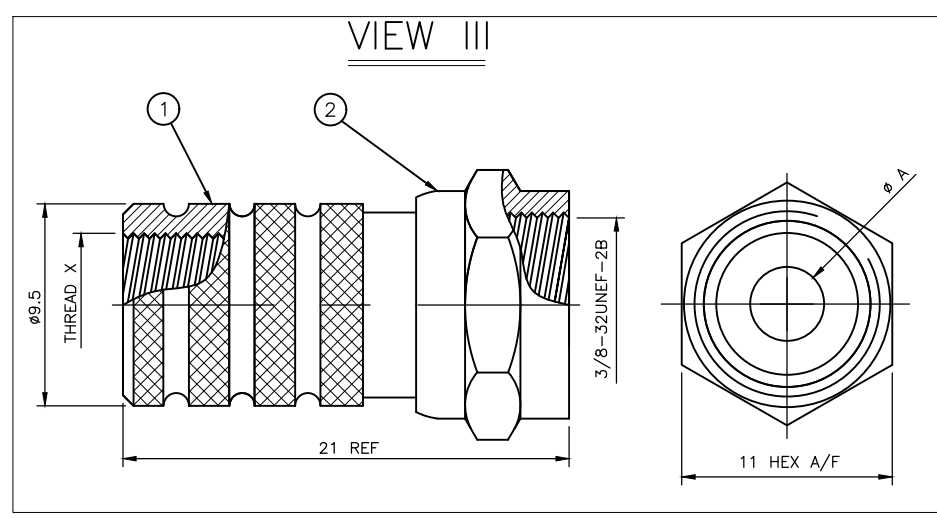
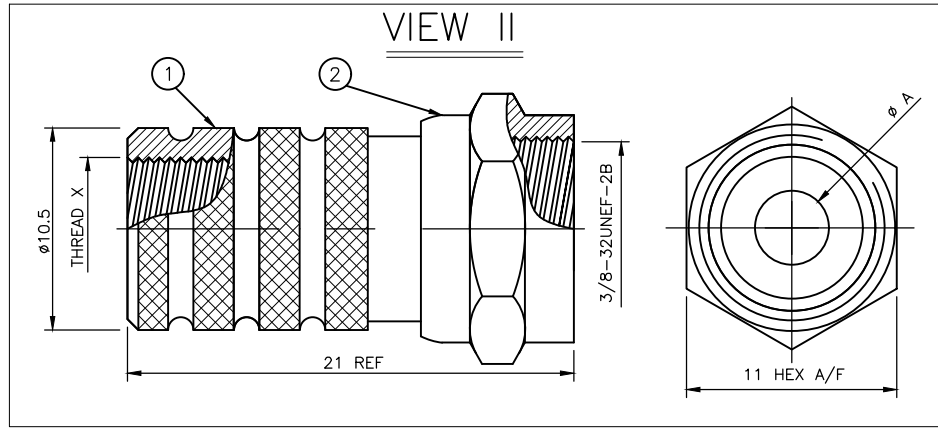
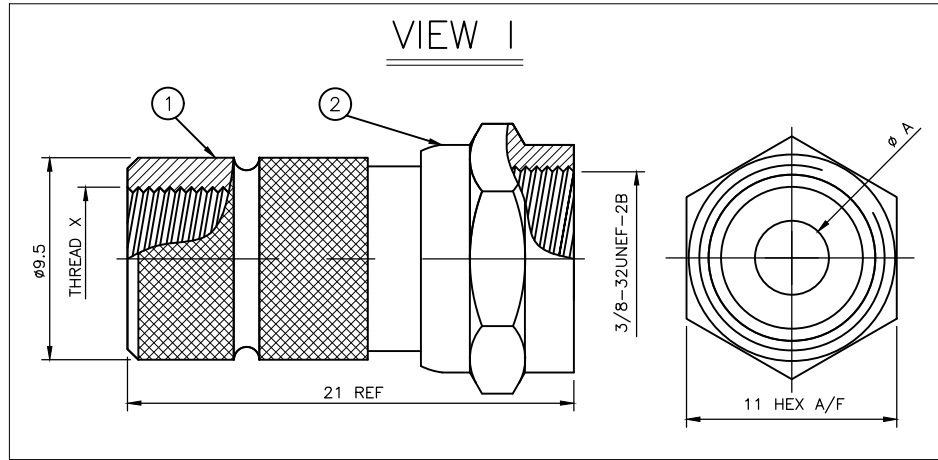


THIS DRAWING IS UNPUBLISHED. RELEASED FOR PUBLICATION NOV ,2006.
 © COPYRIGHT 2006 By - ALL RIGHTS RESERVED.

REVISIONS				
P	LTR	DESCRIPTION	DATE	DWN APVD
	C2	REVISED PER ECR-19-012794	18NOV2019	RZ RS

- NOTES**
- 1 SINGLE PACK IN ACCORDANCE WITH AMP SPEC 107-3275
 - 2 100 TRAY PACK IN ACCORDANCE WITH AMP SPEC 107-3275
 - 3 Ni PLATING
 - 4. FOR TECHNICAL DATA REFER TO YOUR LOCAL TE CONNECTIVITY SALES OFFICE
 - 5. ALL DIMENSIONS ARE NOMINAL FOR REFERENCE ONLY UNLESS OTHERWISE STATED

THREAD X	A	CABLE GROUPS	PART NO.	
M8	5.60	CT125	5-1814822-7	
OBSOLETE	M8	5.60	CT125	5-1814822-6
M7	4.90	CT100	5-1814822-5	
OBSOLETE	M7	4.90	CT100	5-1814822-4
M9	4.90	RG6/U (OD: 8.43mm)	5-1814822-3	
OBSOLETE	M9	4.90	RG6/U	5-1814822-2
OBSOLETE	1/4-20UNC-2B	3.90	RG59B/U, 62A/U, 140/U, 210/U, URM90, Belden 9291, 9291, KX6A, KX25, KX52, KX53	5-1814822-1
OBSOLETE	1/4-20UNC-2B	3.90	RG59B/U, 62A/U, 140/U, 210/U, URM90, Belden 9291, 9291, KX6A, KX25, KX52, KX53	5-1814822-0



VIEW III		VIEW II			VIEW I			MATERIAL	DESCRIPTION	ITEM
OBSOLETE	OBSOLETE	OBSOLETE	OBSOLETE	OBSOLETE	OBSOLETE	OBSOLETE				
1	1	1	1	1	1	1	ZINC ALLOY	COUPLING NUT	2	
1	1	1	1	1	1	1	BRASS	BODY	1	
5	75	65	55	45	35	25				
1	1	1	1	1	1	1				

QUANTITY PER ASSY

THIS DRAWING IS A CONTROLLED DOCUMENT.

DIMENSIONS: mm	TOLERANCES UNLESS OTHERWISE SPECIFIED:	DWN ANSON MA 14FEB09	TE Connectivity F TYPE STR PLG T/O
	0 PLC ± -	CHK RITA ZUO 14FEB09	
	1 PLC ± 0.3	APVD BOB ZHAO 14FEB09	
	2 PLC ± 0.2	PRODUCT SPEC	
	3 PLC ± 0.1	108-112000	NAME
	4 PLC ± -	APPLICATION SPEC	SIZE CAGE CODE DRAWING NO RESTRICTED TO
	ANGLES ± 5°	0.000000	A3 00779 C-1814822
MATERIAL SEE TABLE	FINISH -	CUSTOMER DRAWING	SCALE NTS SHEET 1 OF 1 REV C2

X-ON Electronics

Largest Supplier of Electrical and Electronic Components

Click to view similar products for [RF Connectors / Coaxial Connectors](#) category:

Click to view products by [TE Connectivity](#) manufacturer:

Other Similar products are found below :

[8915-1511-000](#) [89674-0827](#) [6001-7071-019](#) [6002-7051-003](#) [6002-7551-202](#) [6059674-1](#) [619550-1](#) [630059-000](#) [M39030/3-01N](#) [6500-7071-046](#) [6769](#) [CX050L2AQ](#) [7002-1541-010](#) [7002-1542-011](#) [7004-1512-000](#) [7009-1511-004](#) [7010-1511-000](#) [7029-1511-060](#) [7101-1541-010](#) [7101-1571-002](#) [7145-1521-002](#) [7203-1571-003](#) [7209-1511-011](#) [7210-1511-015](#) [7210-1511-019](#) [73137-5015](#) [73216-2241](#) [73404-2300](#) [7405-1521-005](#) [7405-1521-802](#) [8527](#) [8547](#) [FS11V](#) [877931](#) [8808-1511-001](#) [9049-9513-000](#) [9074-9513-000](#) [9101-9573-002](#) [910A205F](#) [9130-9573-002](#) [PL11SC-026](#) [PL375-33](#) [PL40-5](#) [PL74C-221](#) [PL75MC-217](#) [PL803-7](#) [1200690078](#) [1-201144-1](#) [R107003010W](#) [R110A172100](#)